

1-20-2012 LETTING ITEM 087

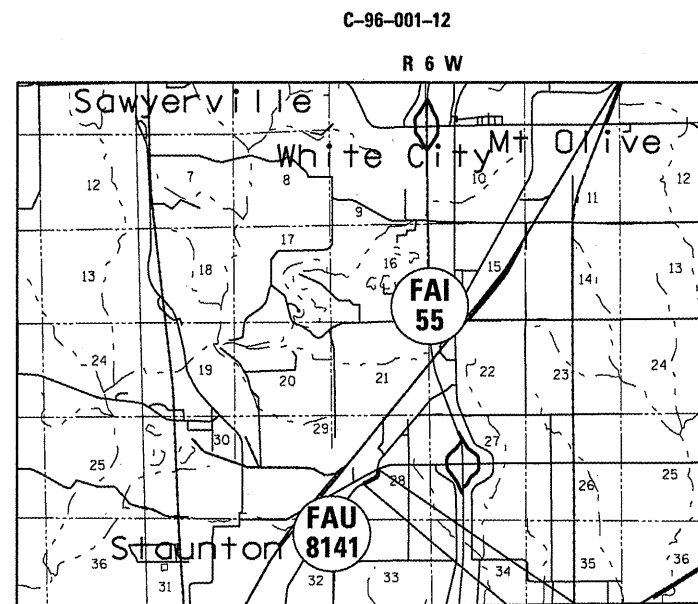
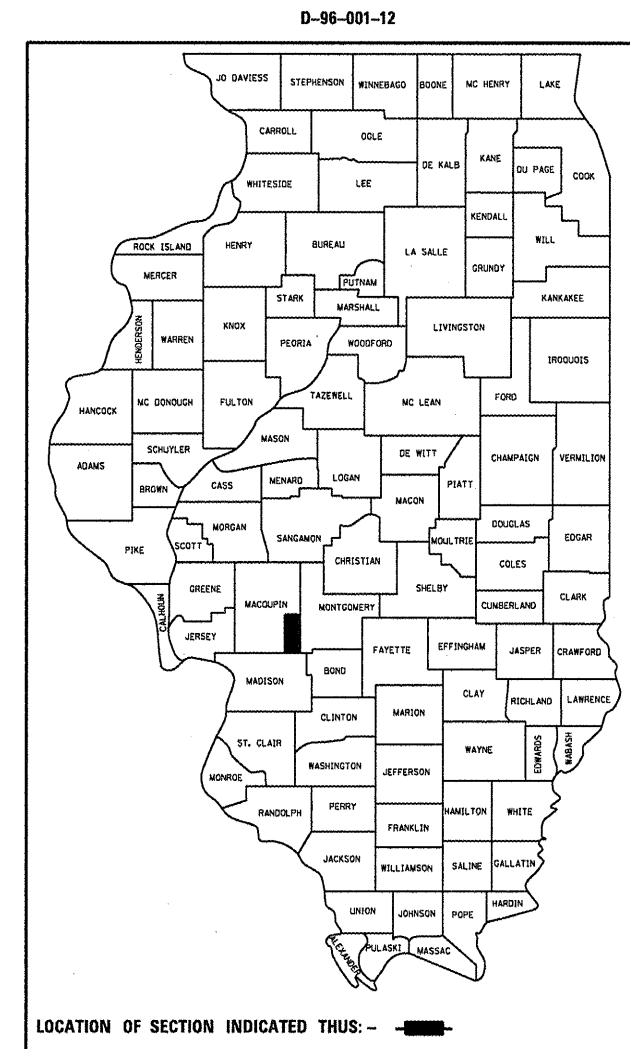
STATE OF ILLINOIS
DEPARTMENT OF TRANSPORTATION
DIVISION OF HIGHWAYS
PROPOSED
CONTRACT MAINTENANCE

FOR INDEX OF SHEETS, SEE SHEET NO. 2

FAU 8141 (OLD US 66)
 SECTION (23)RS-4,(I)3

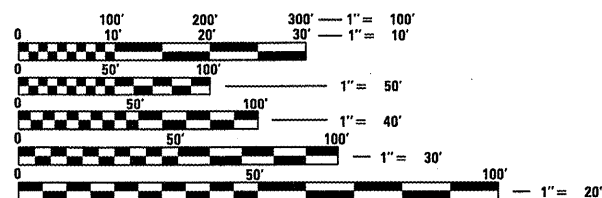
MACOUPIN COUNTY

F.A.U. RTE.	SECTION	COUNTY	TOTAL SHEETS	SHEET NO.
8141	(23)RS-4,(I)3	MACOUPIN	9	1
FED. ROAD DIST. NO.	ILLINOIS	CONTRACT NO. 72E64		



BEGIN PROJECT
 STA. 1183 + 22.00

END PROJECT
 STA. 1196 + 42.00



FULL SIZE PLANS HAVE BEEN PREPARED USING STANDARD ENGINEERING SCALES. REDUCED SIZED PLANS WILL NOT CONFORM TO STANDARD SCALES. IN MAKING MEASUREMENTS ON REDUCED PLANS, THE ABOVE SCALES MAY BE USED.

J.U.L.I.E.
 JOINT UTILITY LOCATION INFORMATION FOR EXCAVATION
 1-800-892-0123
 OR 811

PLAN AND CONTRACT TECHNICIAN
 TIMOTHY SHARP (217)782-7743

CONTRACT NO. 72E64

GROSS LENGTH = 1,320.00 FT. = 0.250 MILE

STATE OF ILLINOIS
 DEPARTMENT OF TRANSPORTATION
 DIVISION OF HIGHWAYS

SUBMITTED November 20 11
Risa Z. Ornduff
 DEPUTY DIRECTOR OF HIGHWAYS, REGION ENGINEER

December 9 20 11
Scott E. Stitt, P.E., Inc.
 ACTING ENGINEER OF DESIGN AND ENVIRONMENT

December 9 20 11
William R. Freyler
 INTERIM DIRECTOR OF HIGHWAYS, CHIEF ENGINEER


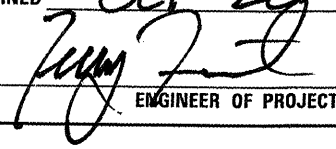

PRINTED BY THE AUTHORITY
OF THE STATE OF ILLINOIS

INDEX

- 1 COVER
- 2 INDEX/STANDARDS/SIGNATURES
- 3-4 QUANTITIES
- 5 LOCATION MAP
- 6 TYPICAL SECTIONS
- 7 SCHEDULES
- 8 BUTT JOINT
- 9 SAFETY EDGE DETAILS

STANDARDS

- 442101-07
- 701001-02
- 701006-03
- 701201-04
- 701301-04
- 701306-03
- 701311-03
- 701501-06
- 701901-02
- 780001-03

STATE OF ILLINOIS DEPARTMENT OF TRANSPORTATION DIVISION OF HIGHWAYS DISTRICT 6	
EXAMINED	Oct 31 20 11
 ENGINEER OF OPERATIONS	
EXAMINED	OCT 28 20 11
 ENGINEER OF PROJECT IMPLEMENTATION	
EXAMINED	Nov 1 20 11
 ENGINEER OF PROGRAM DEVELOPMENT	

INDEX/STANDARDS/SIGNATURES
FAU 8141 (OLD US 66)
SECTION (23)RS-4,(I)3
MACOUPIN COUNTY

SUMMARY OF QUANTITIES

CODE NO.	ITEM	UNIT	100% STATE
			0005
			TOTAL QTY
67100100	MOBILIZATION	L SUM	1
70100450	TRAFFIC CONTROL AND PROTECTION, STANDARD 701201	L SUM	1
70100460	TRAFFIC CONTROL AND PROTECTION, STANDARD 701306	L SUM	1
70102620	TRAFFIC CONTROL AND PROTECTION, STANDARD 701501	L SUM	1
70300100	SHORT-TERM PAVEMENT MARKING	FOOT	132
70300230	TEMPORARY PAVEMENT MARKING - LINE 5"	FOOT	2,970
70301000	WORK ZONE PAVEMENT MARKING REMOVAL	SQ FT	50
* 78001120	PAINT PAVEMENT MARKING - LINE 5"	FOOT	2,970

* SPECIALTY ITEM

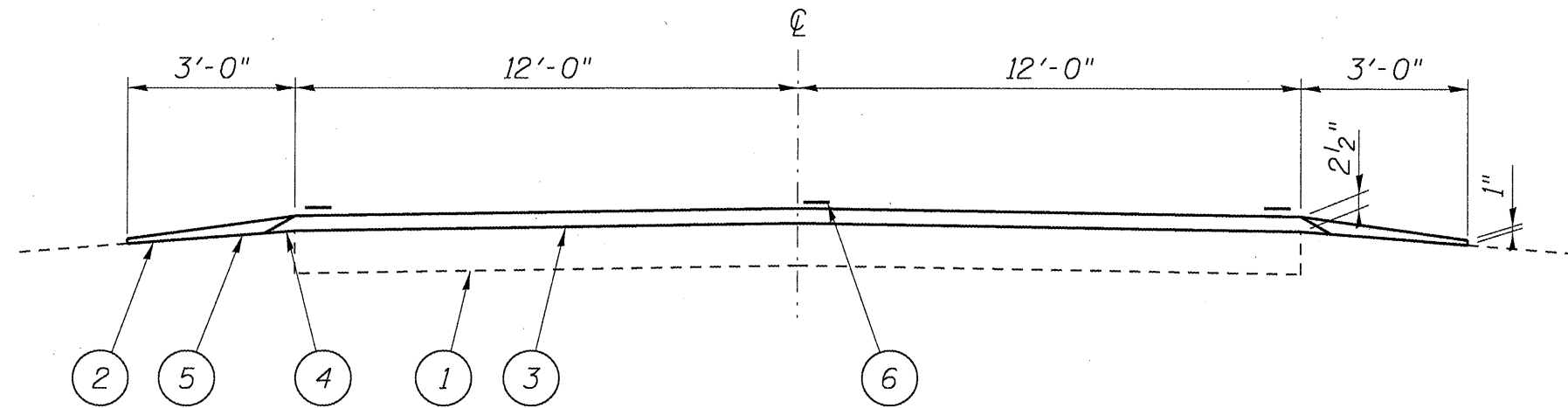
QUANTITIES
FAU 8141 (OLD US 66)
SECTION (23)RS-4,(I)3
MACOUPIN COUNTY



END PROJECT
STA. 1196+42.00

BEGIN PROJECT
STA. 1183+22.00

PLAN
FAU 8141 (OLD US 66)
SECTION (23)RS-4,(1)3
MACOUPIN COUNTY



STA. 1183+22 TO 1196+42

LEGEND

- 1- EXIST. P.C.C. PAVEMENT 9"
- 2- EXIST. AGGREGATE SHOULDERS
- 3- PROP. H.M.A. SURFACE COURSE, MIX "C", N50 2 1/2"
- 4- PROP. H.M.A. SAFETY EDGE (SEE SHEET 9 FOR DETAILS)
- 5- PROP. AGGREGATE SHOULDERS, TYPE B
- 6- PROP. PAINT PAVEMENT MARKING - LINE 5"

TYPICALS
FAU 8141 (OLD US 66)
SECTION (23) RS-4,(I)3
MACOUPIN COUNTY

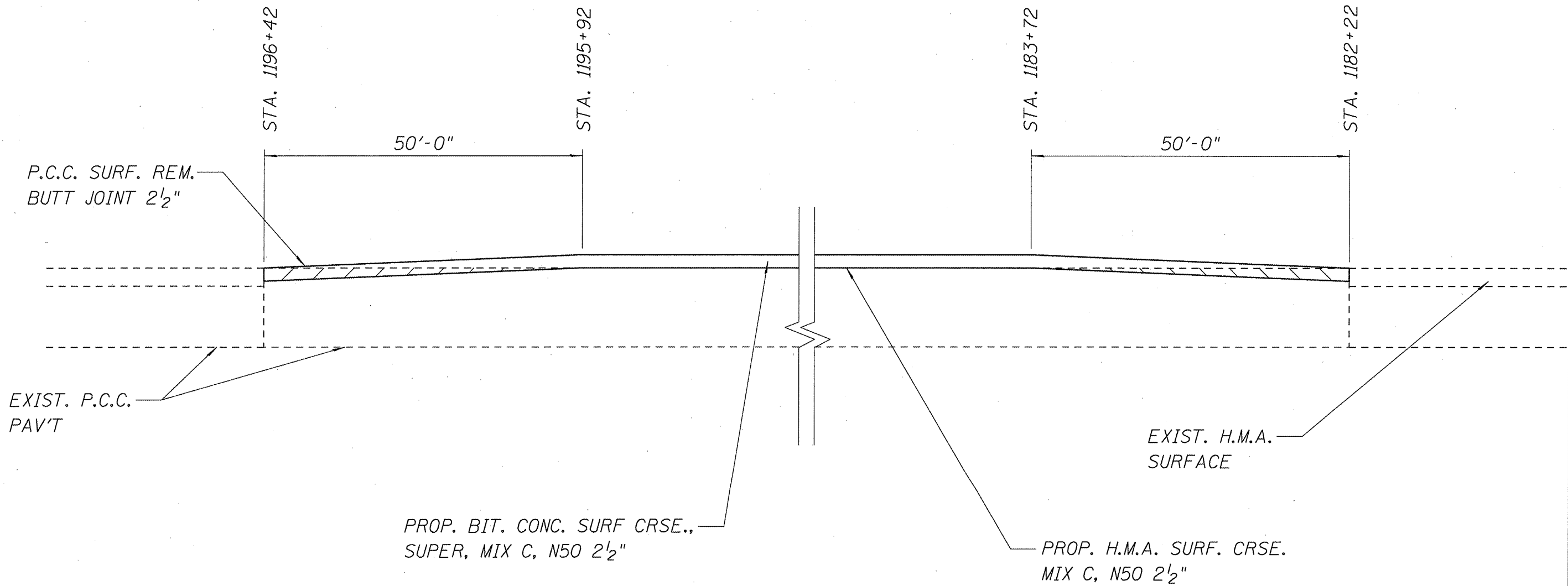
PAVEMENT MARKING SCHEDULE			
STATION	TYPE	PAINT PAVEMENT MARKING LINE 5"	
		WHITE	YELLOW
STA. 1183+22 TO 1196+42	SKIP DASH		330 FT
LT. & RT. STA. 1183+22 TO 1196+42	EDGE LINE	2,640 FT	
TOTALS		2,640 FT	330 FT

MIXTURE REQUIREMENTS	
THE FOLLOWING MIXTURE REQUIREMENTS ARE APPLICABLE FOR THIS PROJECT	
MIXTURE USE(S):	H.M.A. S.C., MIX C, N50
AC/PG	PG 64-22
DESIGN AIR VOIDS:	4.0% @ N DESIGN = 50
MIXTURE COMP:	IL 9.5 OR 12.5
FRICTION AGG:	MIX "C"

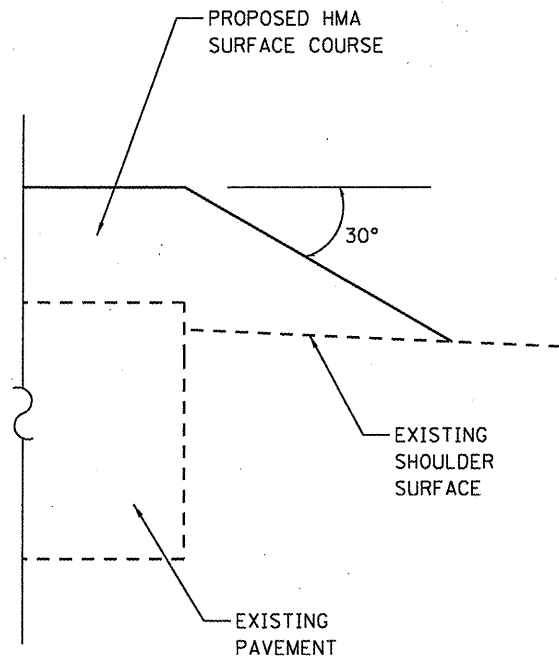
NOTES:

1. STATIONS ARE APPROXIMATE.

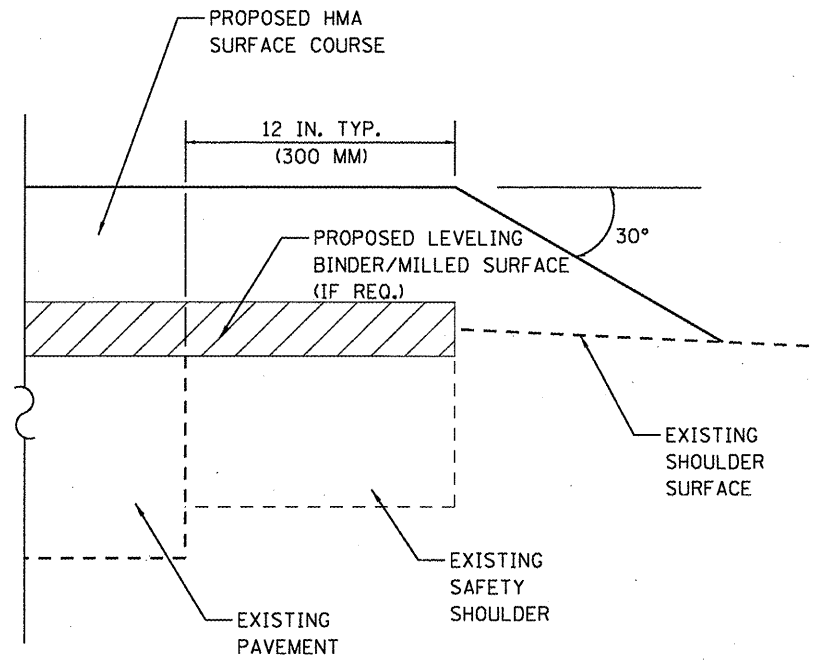
SCHEDULES
FAU 8141 (OLD US 66)
SECTION (23)RS-4,(I)3
MACOUPIN COUNTY



BUTT JOINT DETAIL
FAU 8141 (OLD US 66)
SECTION (23)RS-4,(I)3
MACOUPIN COUNTY



SAFETY EDGE AT EDGE OF EXISTING PAVEMENT



SAFETY EDGE AT EDGE OF EXISTING SAFETY SHOULDER

SAFETY EDGE DETAILS
FAU 8141 (OLD US 66)
SECTION (23)RS-4,(1)3
MACOUPIN COUNTY