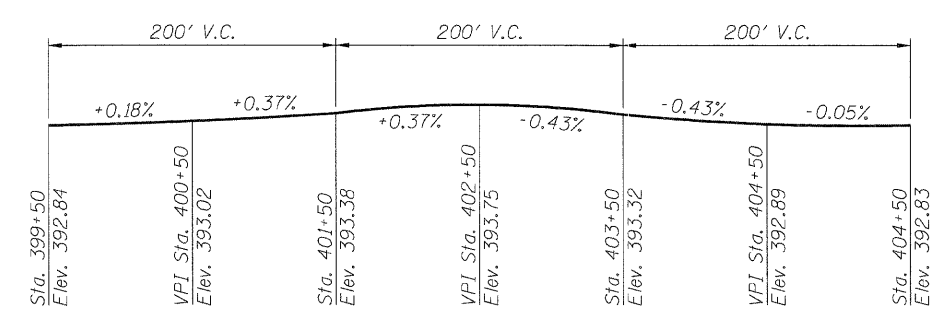
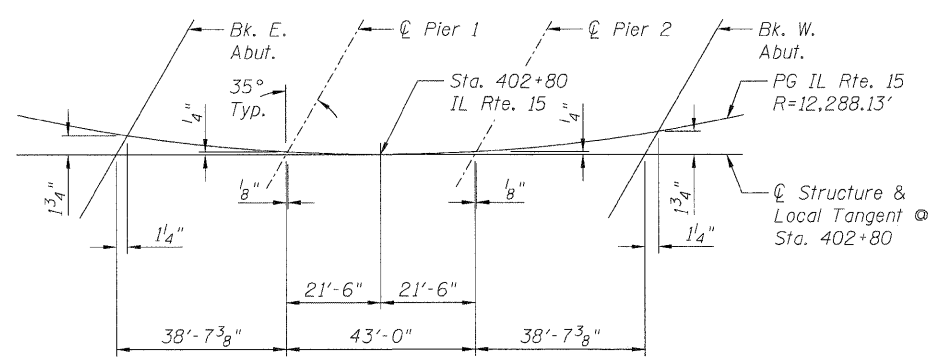


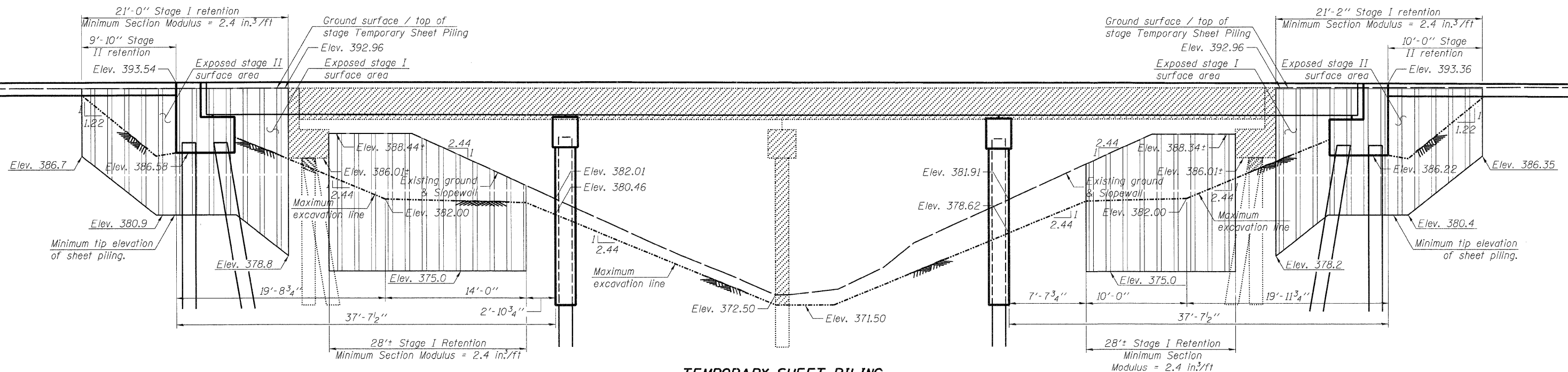
If the Contractor chooses to alter the temporary cantilevered sheet piling design requirements shown on the plans, a design submittal including plan details and calculations will be required for review and acceptance by the Engineer.



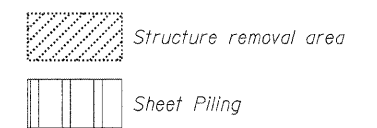
**PROFILE GRADE**  
(along CL IL Route 15)



**OFFSET SKETCH**



**TEMPORARY SHEET PILING**



(Sheet 3 of 3)

PRINTED DATE: 12/16/2011 FILE NAME: c:\projects\148\148.dwg

DESIGNED	-	ADG
CHECKED	-	DF
DRAWN	-	ADG
CHECKED	-	DF

**ESI CONSULTANTS, LTD**  
755 WINDSOR ROAD  
CHARLESTON, IL 61920  
(217) 348-1900  
WWW.ESI-CONSULTANTS.COM  
ILLINOIS DEPARTMENT OF PROFESSIONAL REGULATION REGISTRATION #184-003885

**STATE OF ILLINOIS  
DEPARTMENT OF TRANSPORTATION**

GENERAL DATA & DETAILS	
TEMPORARY SHEET PILING	STRUCTURE NO. 096-0074
SHEET NO. 4 OF 24 SHEETS	

F.A.P. RTE.	SECTION	COUNTY	TOTAL SHEETS	SHEET
823	(22.B2A)B-1 & (22.B2B)B-1	Wayne	85	18
CONTRACT NO. 74216				
ILLINOIS FEDERAL AID PROJECT				