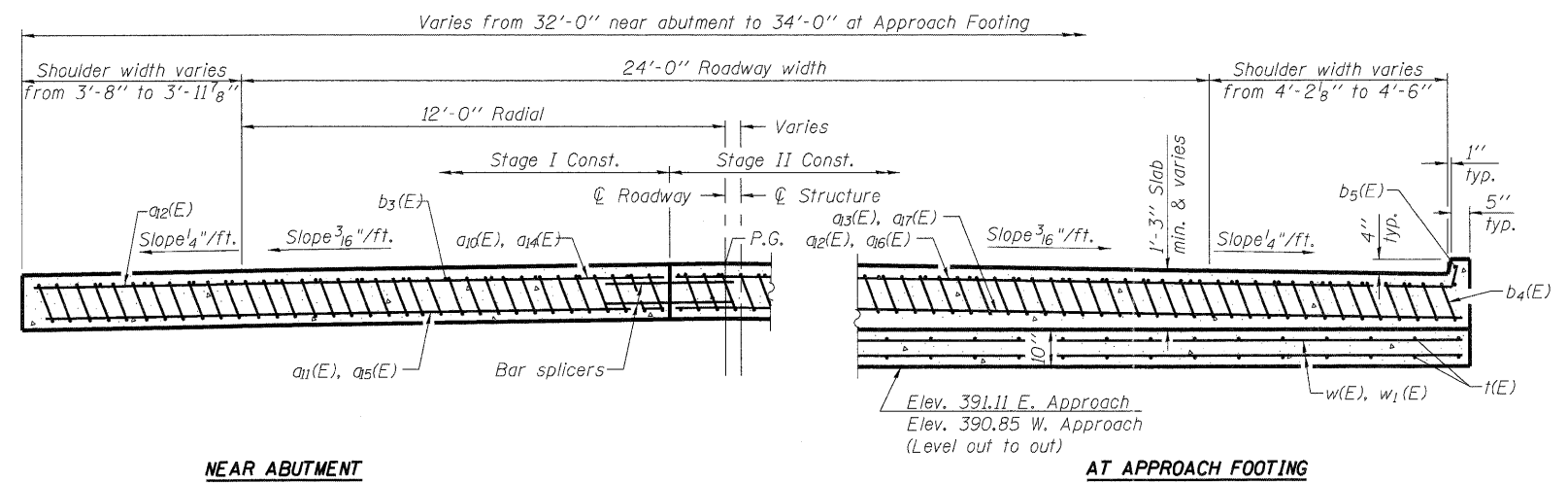
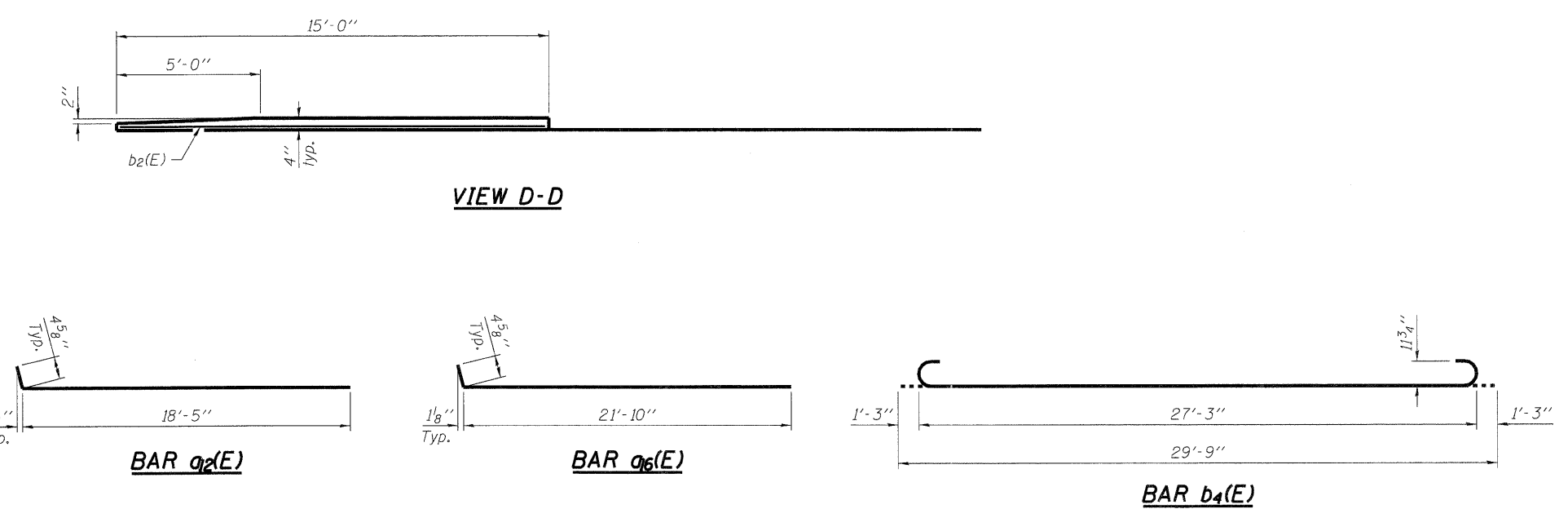


Notes:
 See sheet 11 of 24 for Detail A.
 Approach slab and parapet concrete shall be paid for as Concrete Superstructure.
 Approach footing concrete shall be paid for as Concrete Structures.
 Reinforcement shall be paid for as Reinforcement Bars, Epoxy Coated.
 The approach footing maximum applied service bearing pressure (Qmax) = 2.0 ksf.
 For bar splicer details, see sheet 23 of 24.
 Cost of excavation for approach footing included with Concrete Structures.
 For Porous Granular Embankment (Special) and drainage treatment details, see sheet 2 of 24.



* Tilt #9 b4(E) bars as required to maintain clearance.
 *** Cost included with Concrete Superstructure.



**TWO APPROACHES
 BILL OF MATERIAL**

Bar	No.	Size	Length	Shape
q10(E)	20	#4	17'-6"	—
q11(E)	38	#5	17'-6"	—
q12(E)	30	#4	18'-10"	—
q13(E)	54	#5	18'-8"	—
q14(E)	20	#4	21'-0"	—
q15(E)	38	#5	21'-0"	—
q16(E)	30	#4	22'-3"	—
q17(E)	54	#5	22'-1"	—
b3(E)	56	#4	29'-8"	—
b4(E)	160	#9	29'-9"	—
b5(E)	2	#4	14'-0"	—
t(E)	35	#4	11'-10"	—
w(E)	80	#5	18'-8"	—
w1(E)	80	#5	22'-1"	—
Concrete Superstructure				Cu. Yd. 116.8
Concrete Structures				Cu. Yd. 25.7
Reinforcement Bars, Epoxy Coated				Pound 26,160

PRINTED DATE: 12/15/2011
 FILE NAME: E:\Projects\148\148.dwg
 ORDER: 05\cond\drawings\sheet\26_K05_ASI\slabDet_2.dwg
 47 - various design work order

DESIGNED - ADG
 CHECKED - DF
 DRAWN - ADG
 CHECKED - DF

ESI CONSULTANTS, LTD
 753 WINDSOR ROAD
 CHARLESTON, IL 61920
 (217) 348-1900
 WWW.ESI-CONSULTANTS.LTD.COM
 ILLINOIS DEPARTMENT OF PROFESSIONAL REGULATION REGISTRATION #184-005685

STATE OF ILLINOIS
 DEPARTMENT OF TRANSPORTATION

BRIDGE APPROACH SLAB DETAILS
 STRUCTURE NO. 096-0074
 SHEET NO. 12 OF 24 SHEETS

F.A.P. RTE. 823	SECTION (22,B2A)B-1 & (22,B2B)B-1	COUNTY Wayne	TOTAL SHEETS 85	SHEET 26
CONTRACT NO. 74216			ILLINOIS FEDERAL AID PROJECT	