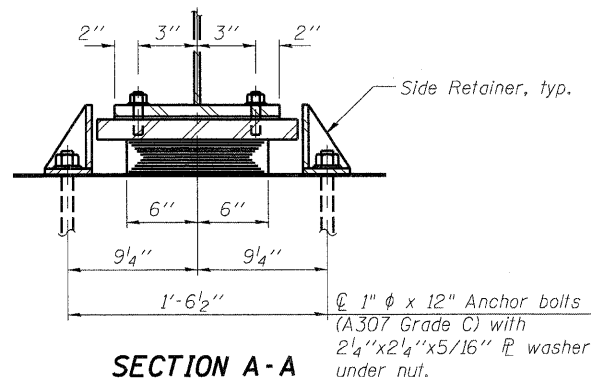
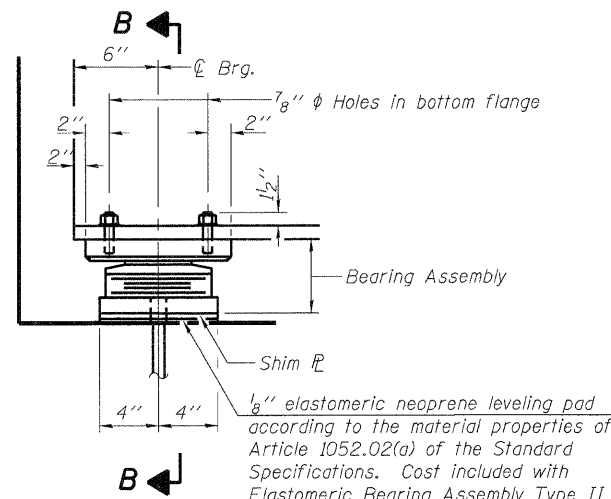


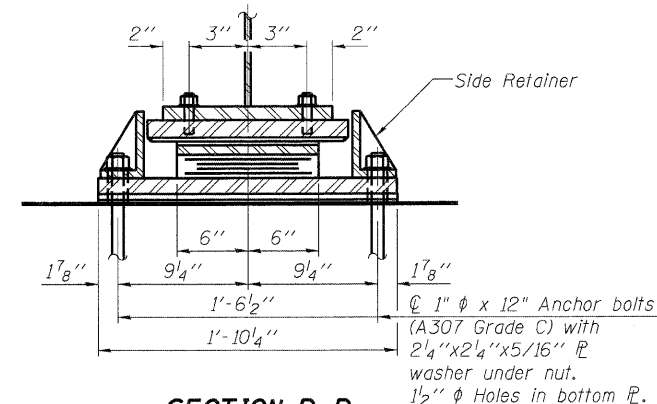
ELEVATION AT EAST ABUT.



SECTION A-A

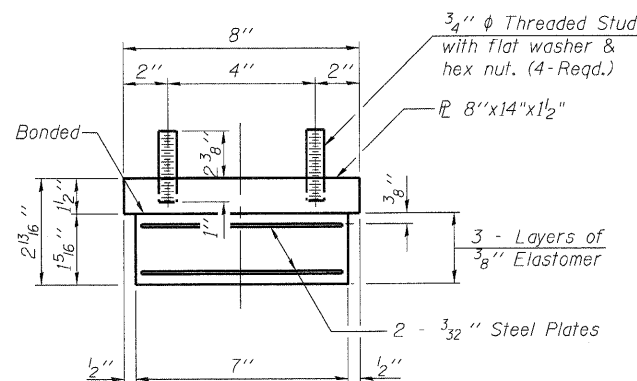


ELEVATION AT WEST ABUT.



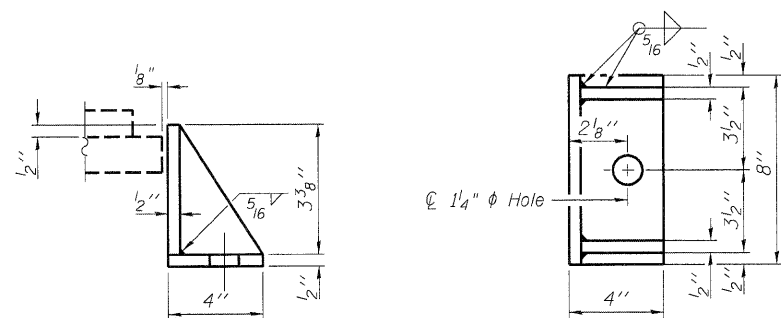
SECTION B-B

TYPE I ELASTOMERIC EXP. BRG.



BEARING ASSEMBLY

Note:
Shim plates shall not be placed under Bearing Assembly.



SIDE RETAINER

Equivalent rolled angle with stiffeners will be allowed in lieu of welded plates.

EAST ABUTMENT

Notes:

Anchor bolts shall be ASTM F1554 all-thread (or an Engineer-approved alternate material) of the grade(s) and diameter(s) specified. ASTM A307 Grade C anchor bolts may be used in lieu of ASTM F1554 Grade 36 (Fy=36ksi). The corresponding specified grade of AASHTO M314 anchor bolts may be used in lieu of ASTM F1554.

Anchor bolts for Type II bearings shall be placed in holes drilled in the concrete through holes in the bottom bearing plate after members are in place. Side retainers shall be placed after bolts are installed.

Drilled and set anchor bolts shall be installed according to Article 521.06 of the Standard Specifications.

Side retainers and other steel members required for the Elastomeric Bearing Assembly, Type I shall be included in the cost of Elastomeric Bearing Assembly, Type I.

The 1/8" PTFE sheet shall be bonded directly to the top steel plate with a two-component, medium viscosity epoxy resin, conforming to the requirements of the Federal Specification MMM-A-134, Type I. The bond agent shall be applied on the full area of the contact surfaces.

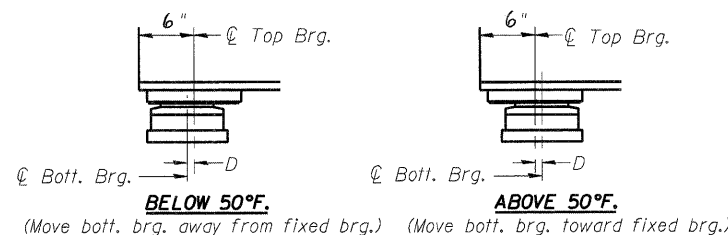
Bonding of 1/8" PTFE sheet during vulcanizing process will be permitted provided the process and method of adjusting assembly height is approved by the Engineer.

Anchor bolts for side retainers, for the Elastomeric Bearing Assembly, Type I, may be cast in place or installed in holes drilled before or after members are in place.

The structural steel plates of the Bearing Assembly shall conform to the requirements of AASHTO M 270 Grade 50. Two 1/8 in. adjusting shims shall be provided for each bearing in addition to all other plates or shims and placed as shown on bearing details.

The anchor bolt sizes and grades shown constitute a calculated seismic structural fuse. Substitution of higher diameter and/or grade anchor bolts will not be allowed.

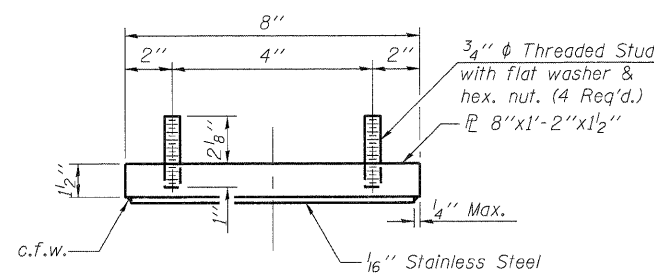
Side retainers and other steel members required for the Elastomeric Bearing Assembly, Type II shall be included in the cost of Elastomeric Bearing Assembly, Type II.



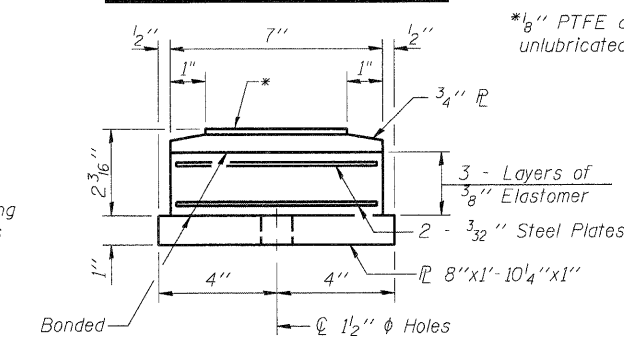
SETTING ANCHOR BOLTS AT EXP. BRG.

D=1/8" per each 100' of expansion for every 15° temp. change from the normal temp. of 50°F.

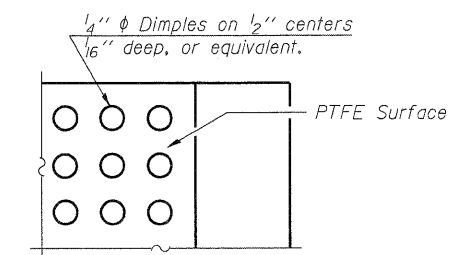
TYPE II ELASTOMERIC EXP. BRG.



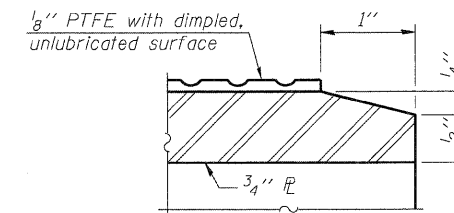
TOP BEARING ASSEMBLY



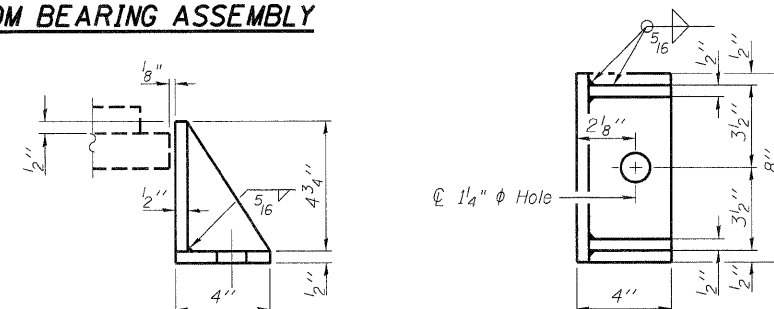
BOTTOM BEARING ASSEMBLY



PLAN-PTFE SURFACE



SECTION THRU PTFE



SIDE RETAINER

Equivalent rolled angle with stiffeners will be allowed in lieu of welded plates.

WEST ABUTMENT

BILL OF MATERIAL

Item	Unit	Total
Elastomeric Bearing Assembly Type I	Each	6
Elastomeric Bearing Assembly Type II	Each	6
Anchor Bolts, 1" φ	Each	24

PRINTED DATE: 12/5/2011
FILE NAME: \\p0100101\des\apps\148_1tem_25 - 47_various design\work_order_065\cond\drawings\sheet\328_006_BrgDet_Abut.dgn

DESIGNED	-	ADC
CHECKED	-	DF
DRAWN	-	ADC
CHECKED	-	DF

ESI CONSULTANTS, LTD
753 WINDSOR ROAD
CHARLESTON, IL 61920
(217) 348-1900
WWW.ESICONSULTANTS.LTD.COM
ILLINOIS DEPARTMENT OF PROFESSIONAL REGULATION REGISTRATION #164-009685

**STATE OF ILLINOIS
DEPARTMENT OF TRANSPORTATION**

**ABUTMENT BEARING DETAILS
STRUCTURE NO. 096-0074**

SHEET NO. 16 OF 24 SHEETS

F.A.P. RTE. 823	SECTION (22.B2A)B-1 & (22.B2B)B-1	COUNTY Wayne	TOTAL SHEETS 85	SHEET 30
			CONTRACT NO. 74216	
ILLINOIS FEDERAL AID PROJECT				