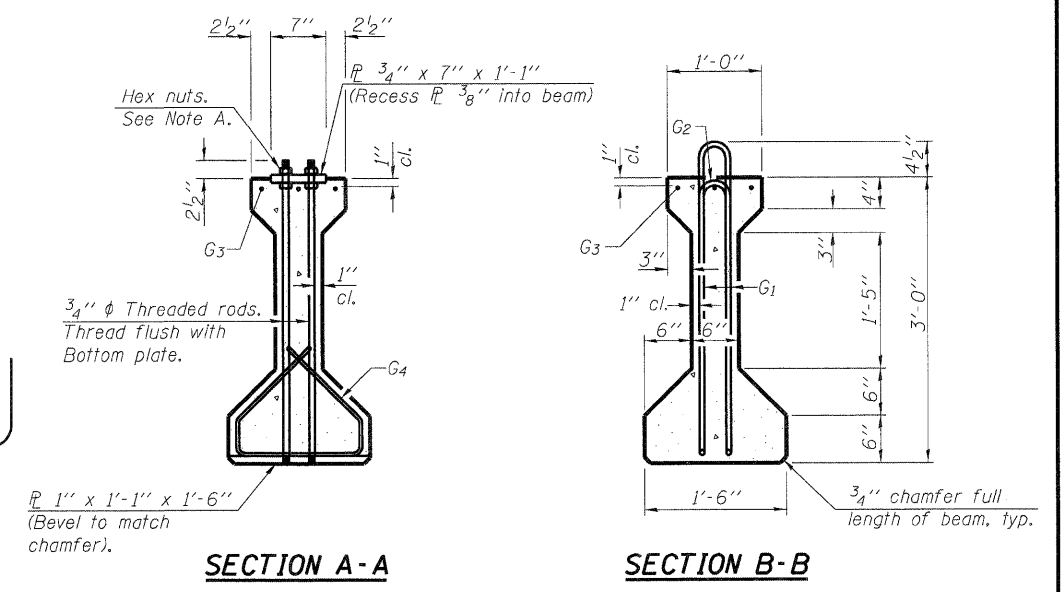


ELEVATION OF BEAM
(Showing reinforcement & dimensions)

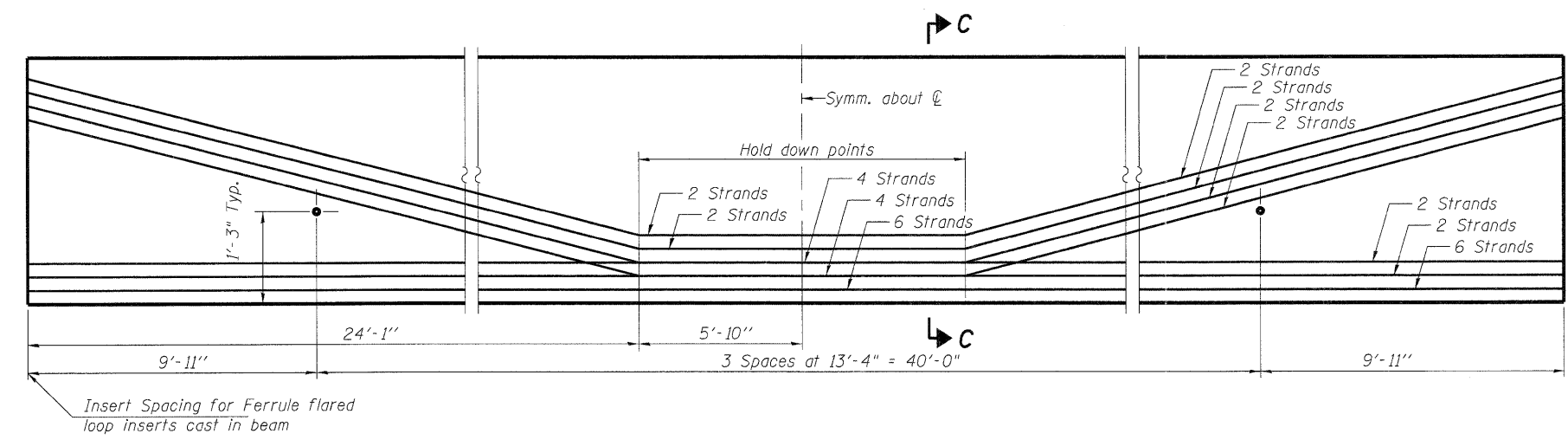
* 3 spaces at 3" = 9"
** 4-3/4" φ threaded dowel rods at 3" cts., Each Face

Note A:
Hex nuts (top and bottom) with lock washers (top). Only tighten sufficiently to compress lock washers.

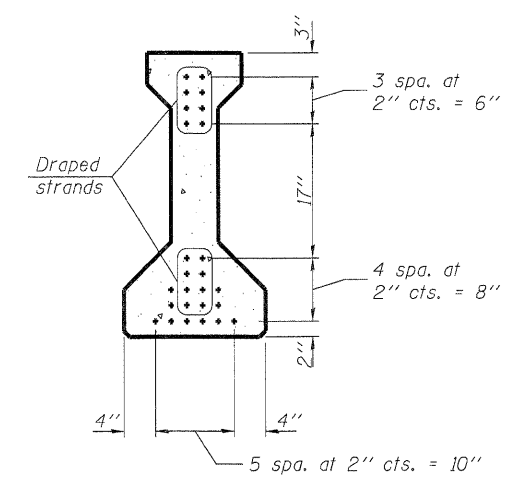


SECTION A-A

SECTION B-B



ELEVATION OF BEAM
(Showing prestressing steel)



SECTION C-C

*****BAR LIST
ONE BEAM ONLY**

Bar	No.	Size	Length	Shape
G ₁	100	#4	7'-5"	⌒
G ₂	100	#4	5'-8"	⌒
G ₃	6	#5	30'-11"	—
G ₄	38	#3	4'-1"	⌒
G ₆	4	#8	6'-6"	⌒

***For information only
Notes:
See sheet 17 of 24 for additional details and Bill of Material.
Required release strength, f'ci, shall be 5000 psi.

PRINTED DATE: 12/5/2011
FILE NAME: n:\projects\148\148.dwg
DESIGNED: SMA
CHECKED: DF
DRAWN: ADG
CHECKED: DF

PI-4-36 7-1-10

ESI CONSULTANTS, LTD
755 WINDSOR ROAD
CHARLESTON, IL 61920
(217) 348-1200
WWW.ESICONSULTANTS.LTD.COM
ILLINOIS DEPARTMENT OF PROFESSIONAL REGULATION REGISTRATION #164-003685

STATE OF ILLINOIS
DEPARTMENT OF TRANSPORTATION

36" PPC I-BEAM (SPAN 2)
STRUCTURE NO. 096-0073
SHEET NO. 16 OF 24 SHEETS

F.A.P. RTE.	SECTION	COUNTY	TOTAL SHEETS	SHEET NO.
823	(22,B2A)B-1 & (22,B2B)B-1	Wayne	85	71
			CONTRACT NO 74216	

ILLINOIS FEDERAL AID PROJECT