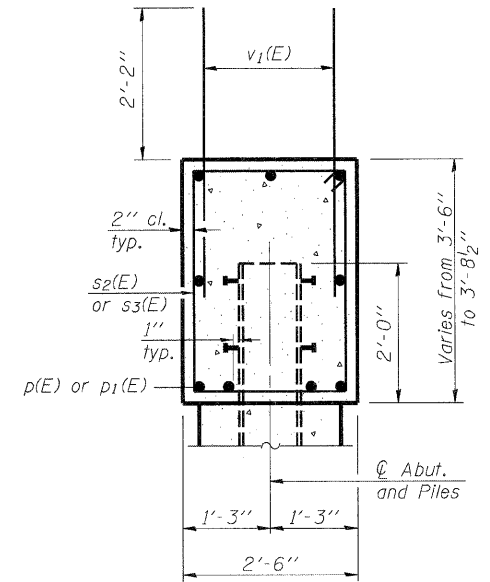
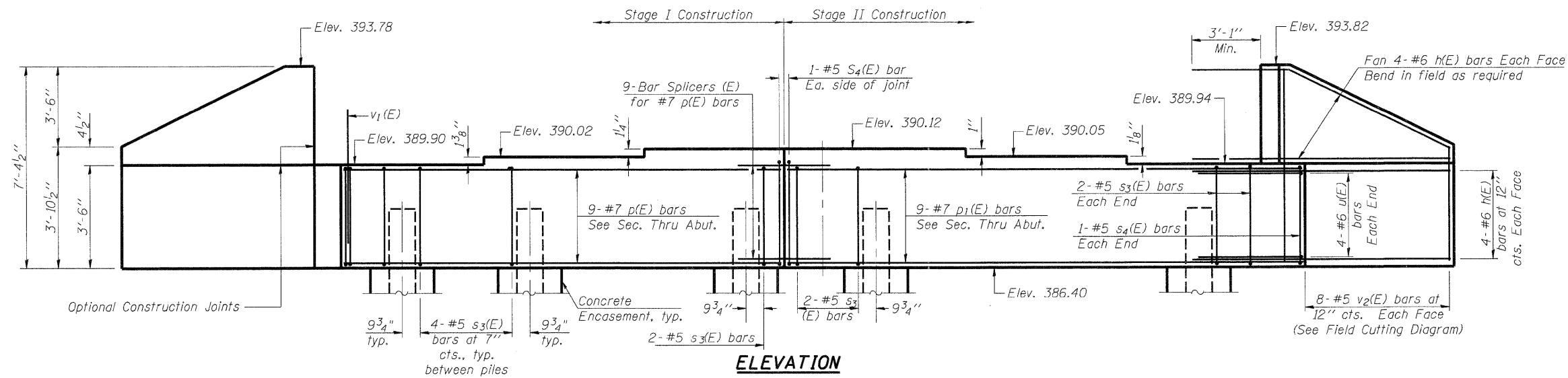
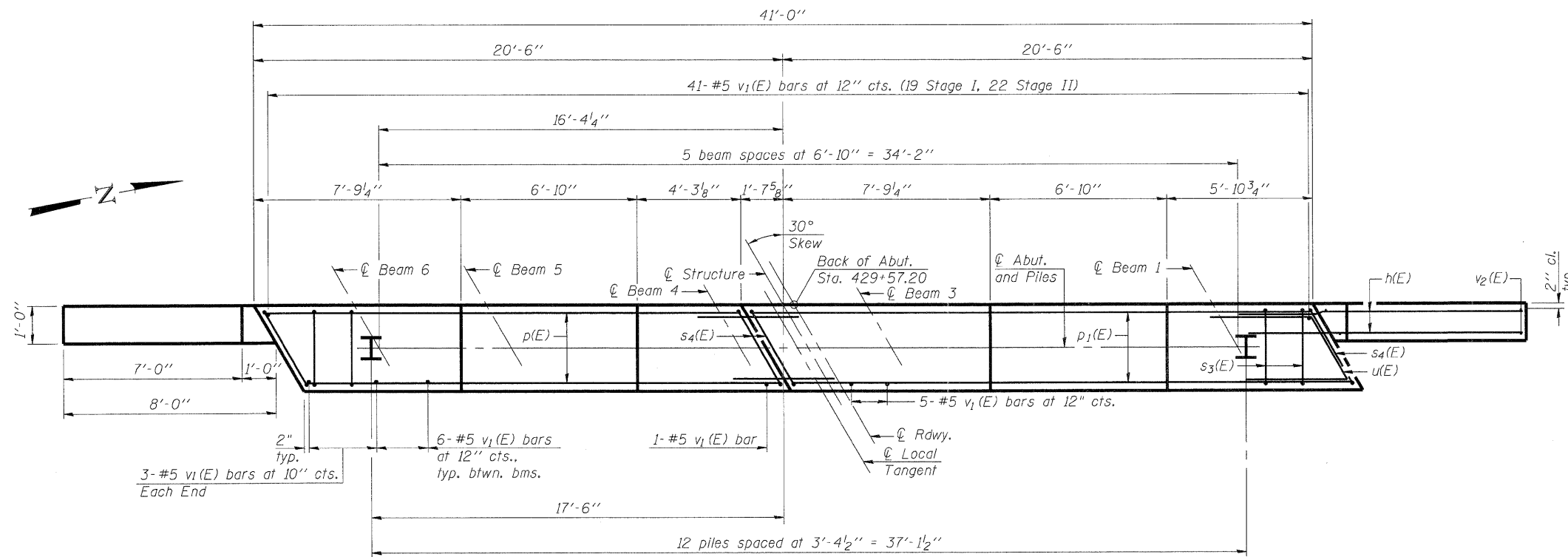


Notes:
Pour steps monolithically with cap.



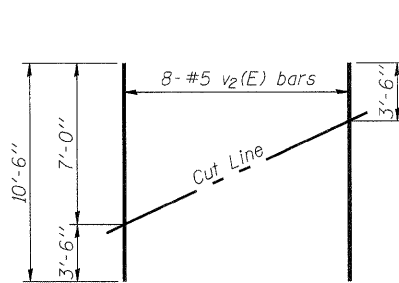
SEC. THRU ABUT.



PLAN

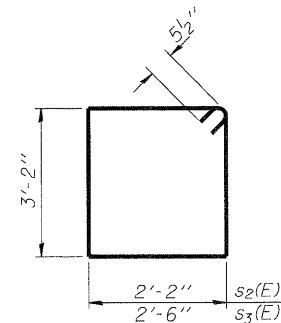
PILE DATA

Type: HP 14x117
Nominal Required Bearing: 444 kips
Factored Resistance Available: 222 kips
Est. Length: 66'
No. Production Piles: 11
No. Test Piles: 1

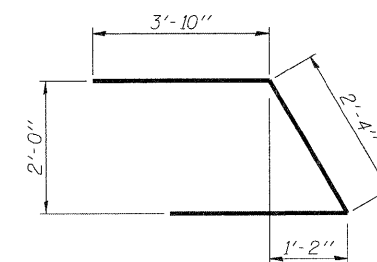


FIELD CUTTING DIAGRAM

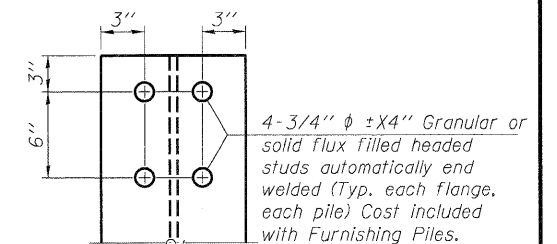
Order v2(E) full length. Cut as shown and use remainder of bars in opposite face.



BARS s2(E) & s3(E)



BAR u(E)



TOP OF PILE

BILL OF MATERIAL

Bar	No.	Size	Length	Shape
h(E)	32	#6	11'-11"	—
p(E)	9	#7	18'-7"	—
p1(E)	9	#7	2'-10"	—
s3(E)	43	#5	11'-7"	□
s4(E)	4	#5	12'-3"	□
u(E)	8	#6	10'-0"	△
v1(E)	77	#5	4'-4"	—
v2(E)	32	#5	10'-6"	—
Structure Excavation		Cu. Yd.	52.4	
Concrete Structures		Cu. Yd.	17.1	
Reinforcement Bars, Epoxy Coated		Pound	2360	
Furnishing Steel- Piles, HP 14x117		Foot	726	
Driving Piles		Foot	726	
Test Pile Steel, HP 14x117		Each	1	
Concrete Encasement		Cu. Yd.	4.4	

For details of Bar Splicers, see sheet 22 of 24.
For details of piles and Concrete Encasement, see sheet 21 of 24.

PRINTED DATE: 12/05/2011 FILE NAME: m:\projects\104\104_148_1\104_148_1.dwg Order: 05\CAD\01-01\104\104_148_1.dwg

DESIGNED	-	ADG
CHECKED	-	DF
DRAWN	-	ADG
CHECKED	-	DF

ESI CONSULTANTS, LTD
755 WINDSOR ROAD
CHARLESTON, IL 61920
(217) 348-1900
WWW.ESI-CONSULTANTS.LTD.COM
ILLINOIS DEPARTMENT OF PROFESSIONAL REGULATION REGISTRATION #184-003686

STATE OF ILLINOIS
DEPARTMENT OF TRANSPORTATION

WEST ABUTMENT
STRUCTURE NO. 096-0073

SHEET NO. 19 OF 24 SHEETS

F.A.P. RTE	SECTION	COUNTY	TOTAL SHEETS	SHEET NO
823	(22.B2A)B-1 & (22.B2B)B-1	Wayne	85	74
CONTRACT NO 74216			ILLINOIS FEDERAL AID PROJECT	