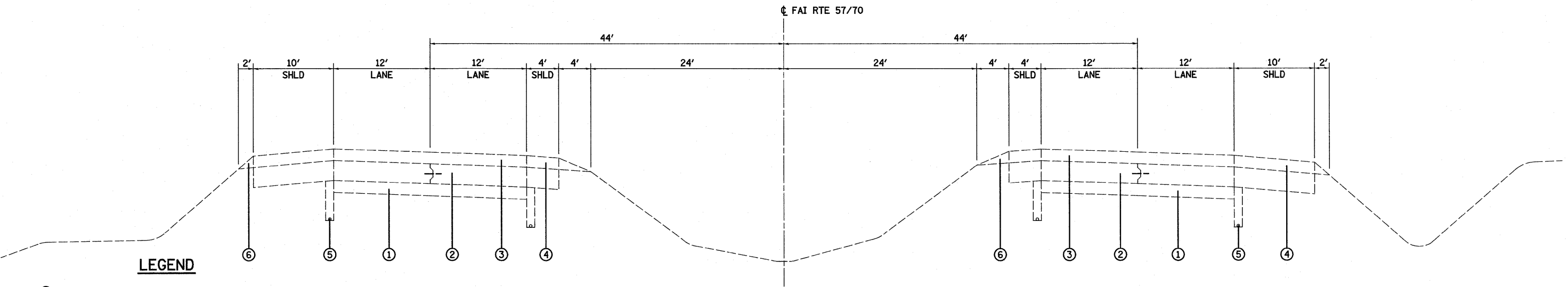


**EXISTING MAINLINE TANGENT SECTION**

STA 2121+44.00 TO STA 2177+57.30 (FAI RTE 57/70)  
 STA 2255+37.63 TO STA 2268+00.00 (FAI RTE 57/70)



**EXISTING MAINLINE SUPERELEVATED SECTION**

STA 2177+57.30 TO STA 2255+37.63 (FAI RTE 57/70)

**LEGEND**

- ① EXISTING SUB-BASE GRANULAR MATERIAL, TYPE A 6"
- ② EXISTING PCC PAVEMENT 10" (w/LONG METAL JT & PAVT FABRIC)
- ③ EXISTING ASPHALT RESURFACING 6"±
- ④ EXISTING PAVED SHOULDER
- ⑤ EXISTING PIPE UNDERDRAINS
- ⑥ EXISTING AGGREGATE SHOULDERS
- ⑦ EXISTING CURB OR CURB & GUTTER
- ⑧ EXISTING STABILIZED SUB-BASE 4"
- ⑨ EXISTING PCC PAVEMENT 9 1/4 " (HINGE JOINTED)

FILE NAME =	USER NAME = jinda	DESIGNED - JWS	REVISED -	<b>STATE OF ILLINOIS DEPARTMENT OF TRANSPORTATION</b>	<b>EXISTING TYPICAL SECTIONS - I-57/70</b>		F.A.I. RTE. 57/70	SECTION (25-3,4R)	COUNTY EFFINGHAM	TOTAL SHEETS 1098	SHEET NO. 9
#FILE#	PLOT SCALE = 100.0000' / IN.	DRAWN - RCB	REVISED -				SCALE: 1"=50'	SHEET NO. 1 OF 5 SHEETS	STA.	TO STA.	FED. ROAD DIST. NO.
	PLOT DATE = 3/17/2011	CHECKED - BRM	REVISED -								
		DATE - 6-12-08	REVISED -								