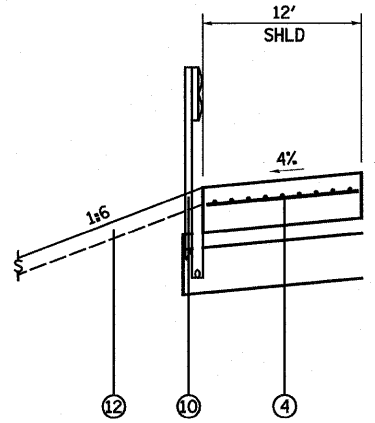


PROPOSED MAINLINE SUPERELEVATED SECTION

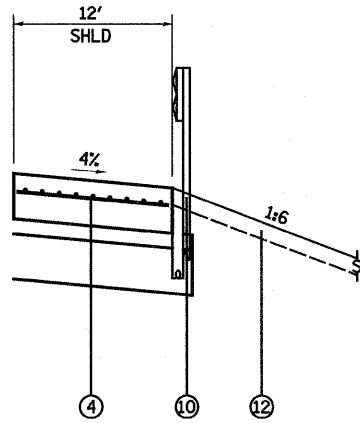
STA 2192+06.78 TO STA 2206+74.03 (FAI RTE 57/70)
 STA 2227+42.36 TO STA 2255+37.63 (FAI RTE 57/70)

- ① STAGE CONSTRUCTION JOINT VARIES 3' TO 4'
- ② MEDIAN WIDTH VARIES 6' TO 8', STA 2253+37.84 TO STA 2255+37.63
- PAVEMENT CROSS SLOPES VARIES
 STA 2254+79.63 TO STA 2257+73.63

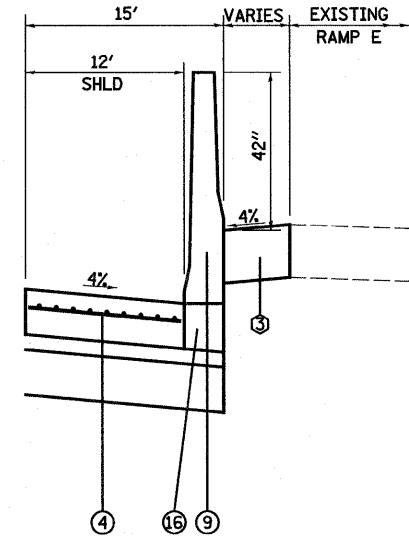
③ PROPOSED PROCESSING MODIFIED SOIL 24"
 STARTS STA 2235+00.00 AND ENDS
 STA 2245+00.00



TYPICAL GUARD RAIL APPLICATION LT



TYPICAL GUARD RAIL APPLICATION RT



CONCRETE BARRIER, RT STA 2196+75 TO STA 2209+75.79 (FAI RTE 57/70)

LEGEND

- ① PROPOSED PROCESSING MODIFIED SOIL 12"
- ② PROPOSED STABILIZED SUB-BASE 4"
- ③ PROPOSED CONTINUOUSLY REINFORCED PCC PAVEMENT 13"
- ④ PROPOSED PAVEMENT REINFORCEMENT 13"
- ⑤ PROPOSED AGGREGATE SHOULDERS, TYPE B 6"
- ⑥ PROPOSED PIPE UNDERDRAINS 6"
- ⑦ PROPOSED PORTLAND CEMENT CONCRETE SHOULDERS 13"
- ⑧ PROPOSED COMBINATION CONCRETE CURB & GUTTER, TYPE B-6.24
- ⑨ PROPOSED CONCRETE BARRIER, DOUBLE FACE, 42 INCH HEIGHT
- ⑩ PROPOSED STEEL PLATE BEAM GUARD RAIL, TYPE A
- ⑪ PROPOSED STORM SEWERS, CLASS A
- ⑫ PROPOSED TOPSOIL 4"
- ⑬ PROPOSED PCC PAVEMENT 10 1/4" (JOINTED)
- ⑭ PROPOSED PCC PAVEMENT 10 1/2" (JOINTED)
- ⑮ PROPOSED PAVEMENT FABRIC
- ⑯ PROPOSED CONCRETE BARRIER BASE
- ⑰ PROPOSED PIPE UNDERDRAINS 4"
- ⑱ PROPOSED PORTLAND CEMENT CONCRETE SIDEWALK 4"
- ⑲ PROPOSED AGGREGATE BASE COURSE, TYPE B, 8"
- ⑳ PROPOSED AGGREGATE SHOULDER TYPE B
- ㉑ PROPOSED PROCESSING MODIFIED SOIL 24"

SEE LEGEND NOS. ③ - ④ FOR PAVEMENT COMPOSITION OF SHOULDERS AND DRIVING LANES

③ PORTLAND CEMENT CONCRETE SHOULDERS 10"

NOTES
 PROPOSED SIDE SLOPES/DITCHES
 VARY - SEE CROSS SECTIONS

LIMITS OF PROPOSED TOPSOIL
 VARIES - SEE CROSS SECTIONS

FILE NAME =	USER NAME = John	DESIGNED - JWS	REVISED -	STATE OF ILLINOIS DEPARTMENT OF TRANSPORTATION	PROPOSED TYPICAL SECTIONS - I-57/70		F.A.I. RTE. 57/70	SECTION (25-3,4)R	COUNTY EFFINGHAM	TOTAL SHEETS 1098	SHEET NO. 24	
#FILEL#	PLOT SCALE = 100,0000' / IN.	DRAWN - RCB	REVISED -		SCALE: 1"=50'	SHEET NO. 11 OF 17 SHEETS	STA. 2192+06.78 TO STA. 2255+37.63	CONTRACT NO. 74299				
	PLOT DATE = 3/19/2011	CHECKED - BRM	REVISED -					FED. ROAD DIST. NO. ILLINOIS FED. AID PROJECT				
		DATE - 6-12-08	REVISED -									