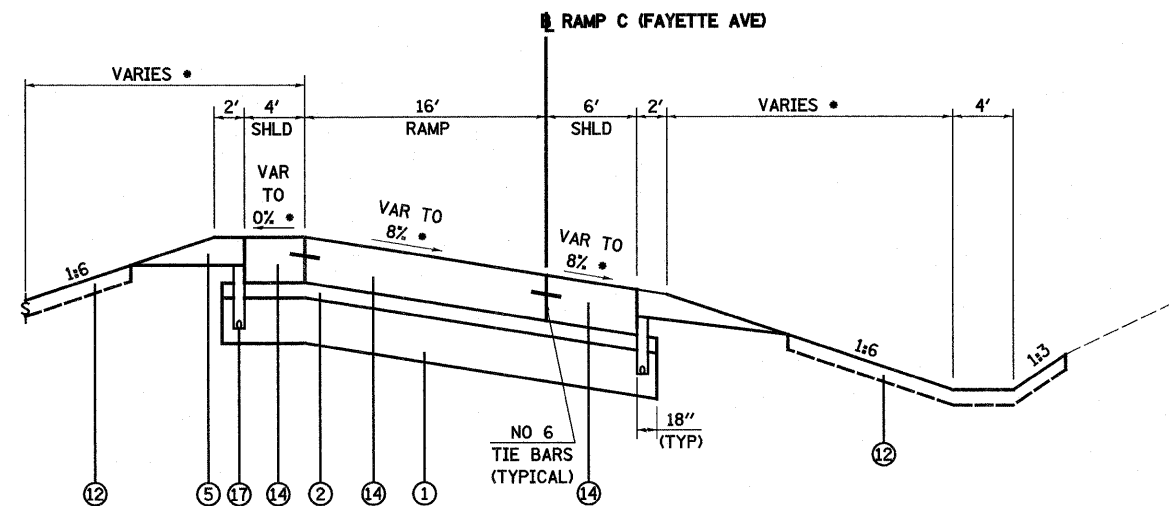


**RAMP B (FAYETTE AVE)
PROPOSED TANGENT SECTION**
STA 13+75.00 TO STA 15+82.36

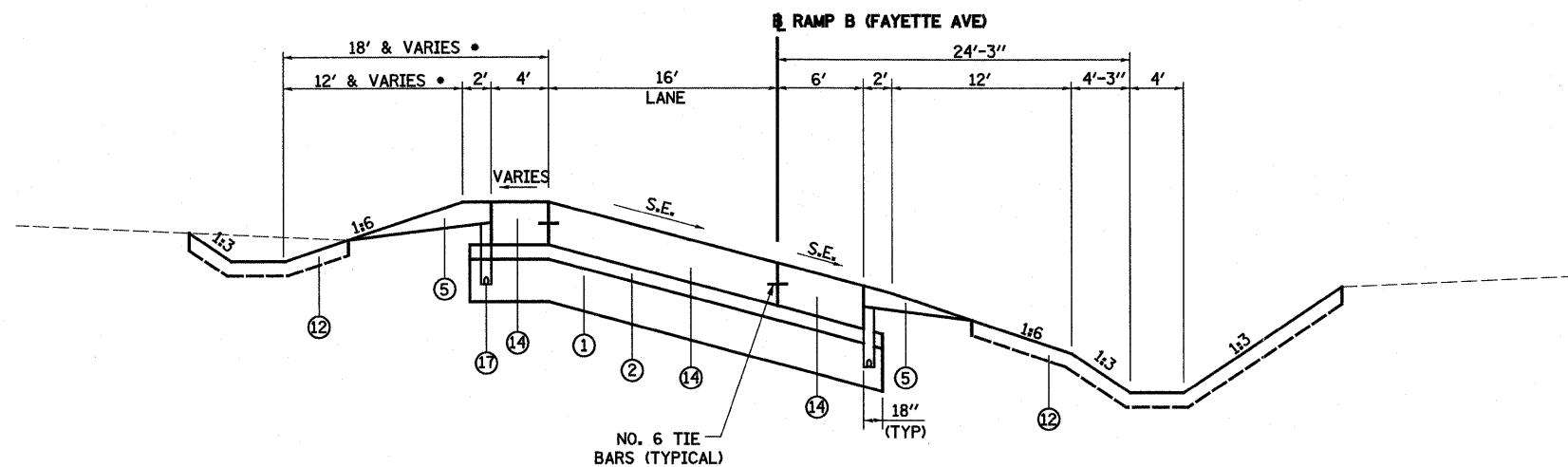


**RAMP C (FAYETTE AVENUE)
PROPOSED SUPERELEVATED SECTION**
STA 8+60.00 TO STA 11+00.00

• SEE PAVEMENT ELEVATION DETAILS

LEGEND

- ① PROPOSED PROCESSING MODIFIED SOIL 12"
 - ② PROPOSED STABILIZED SUB-BASE 4"
 - ③ PROPOSED CONTINUOUSLY REINFORCED PCC PAVEMENT 13"
 - ④ PROPOSED PAVEMENT REINFORCEMENT 13"
 - ⑤ PROPOSED AGGREGATE SHOULDERS, TYPE B 6"
 - ⑥ PROPOSED PIPE UNDERDRAINS 6"
 - ⑦ PROPOSED PORTLAND CEMENT CONCRETE SHOULDERS 13"
 - ⑧ PROPOSED COMBINATION CONCRETE CURB & GUTTER, TYPE B-6.24
 - ⑨ PROPOSED CONCRETE BARRIER, DOUBLE FACE, 42 INCH HEIGHT
 - ⑩ PROPOSED STEEL PLATE BEAM GUARD RAIL, TYPE A
 - ⑪ PROPOSED STORM SEWERS, CLASS A
 - ⑫ PROPOSED TOPSOIL 4"
 - ⑬ PROPOSED PCC PAVEMENT 10 1/4" (JOINTED)
 - ⑭ PROPOSED PCC PAVEMENT 10 1/2" (JOINTED)
 - ⑮ PROPOSED PAVEMENT FABRIC
 - ⑯ PROPOSED CONCRETE BARRIER BASE
 - ⑰ PROPOSED PIPE UNDERDRAINS 4"
 - ⑱ PROPOSED PORTLAND CEMENT CONCRETE SIDEWALK 4"
 - ⑲ PROPOSED AGGREGATE BASE COURSE, TYPE B, 8"
 - ⑳ PROPOSED AGGREGATE SHOULDER TYPE B
 - ㉑ PROPOSED PROCESSING MODIFIED SOIL 24"
- SEE LEGEND NOS. ③-④ FOR PAVEMENT COMPOSITION OF SHOULDERS AND DRIVING LANES



**RAMP B (FAYETTE AVE)
PROPOSED SUPERELEVATED SECTION**
STA 15+82.36 TO STA 18+81.49

NOTES
PROPOSED SIDE SLOPES/DITCHES
VARY - SEE CROSS SECTIONS

LIMITS OF PROPOSED TOPSOIL
VARIABLES - SEE CROSS SECTIONS

FILE NAME =	USER NAME = jinda	DESIGNED - JWS	REVISED -	STATE OF ILLINOIS DEPARTMENT OF TRANSPORTATION	PROPOSED TYPICAL SECTIONS - FAYETTE AVE, RAMP B & C		F.A.I. RTE.	SECTION	COUNTY	TOTAL SHEETS	SHEET NO.	
#FILE#	PLOT SCALE = 100.0000' / IN.	DRAWN - MAB	REVISED -				57/70	(25-3,4)R	EFFINGHAM	1098	28	
	PLOT DATE = 3/17/2011	CHECKED - BRM	REVISED -		SCALE: 1"=50'	SHEET NO. 15 OF 17 SHEETS	STA. 8+60.00 TO STA. 11+00.00	FED. ROAD DIST. NO. ILLINOIS FED. AID PROJECT				
		DATE - 6-12-08	REVISED -		CONTRACT NO. 74299							