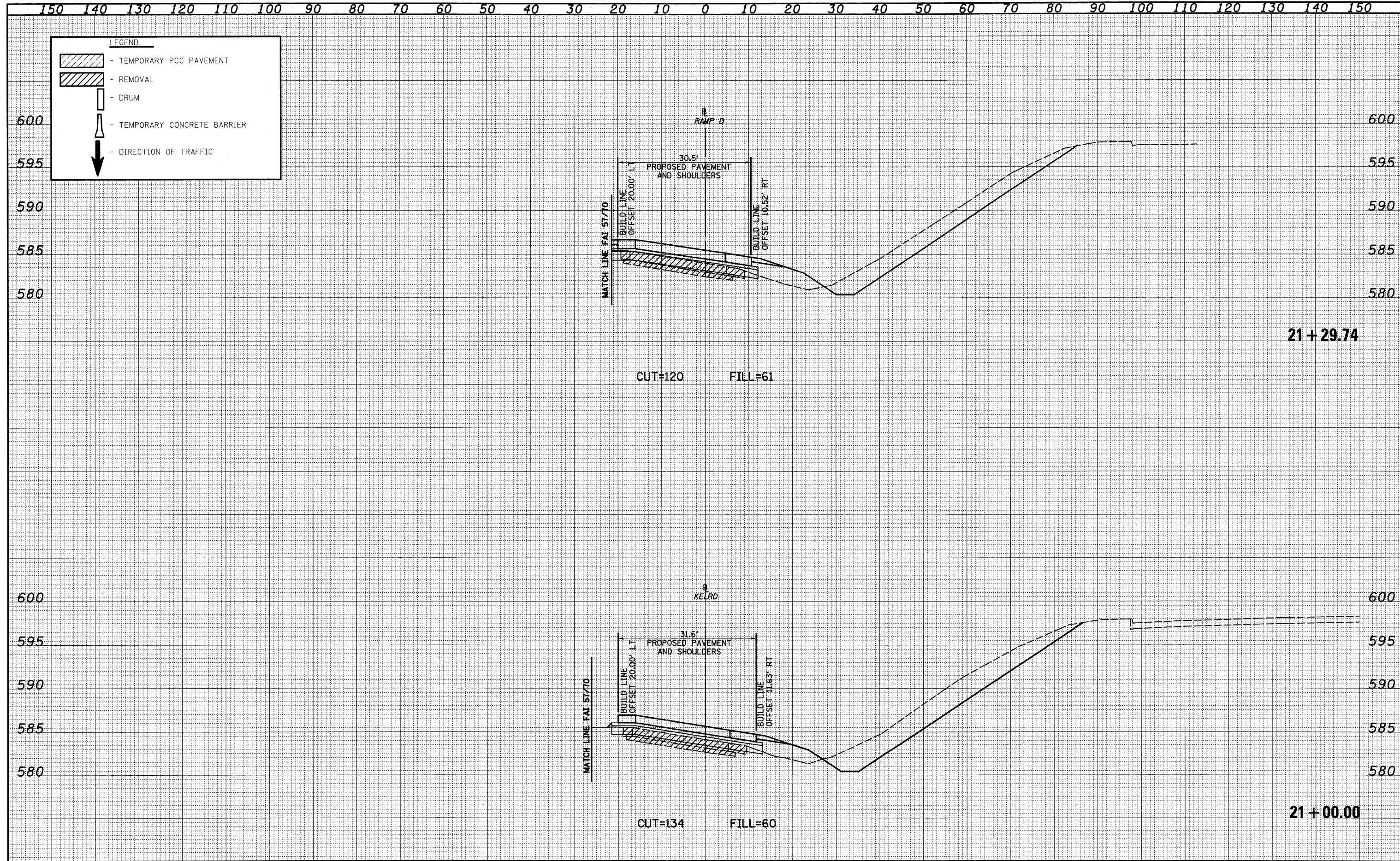


DATE	
BY	
FINAL SURVEY	
REVISIONS	
NO.	

DATE	
BY	
ORIGINAL SURVEY	
REVISIONS	
NO.	



FILE NAME =	USER NAME = baebe1	DESIGNED - JWS	REVISED -	<b>STATE OF ILLINOIS</b> <b>DEPARTMENT OF TRANSPORTATION</b>	<b>MAINTENANCE OF TRAFFIC KELLER - RAMP D (STAGE 2)</b>	F.A.I. RTE.	SECTION	COUNTY	TOTAL SHEETS	SHEET NO.	
S:\Projects\403-00072-57-70\dgn\ML_Keller\wash_Keller\RM0152.dgn	PLOT SCALE = 20,0000' / IN.	DRAWN - LEC	REVISED -			57/70	(25-3,4R)	EFFINGHAM	1098	1094	
PLOT DATE = 3/11/2011	DATE - 5-27-08	CHECKED - JWS	REVISED -			CONTRACT NO. 74299					
		DATE - 5-27-08	REVISED -			SCALE: 1"=10' SHEET NO. 4 OF 4 SHEETS STA. 21+00.00 TO STA. 21+00.00 FED. ROAD DIST. NO. ILLINOIS FED. AID PROJECT					