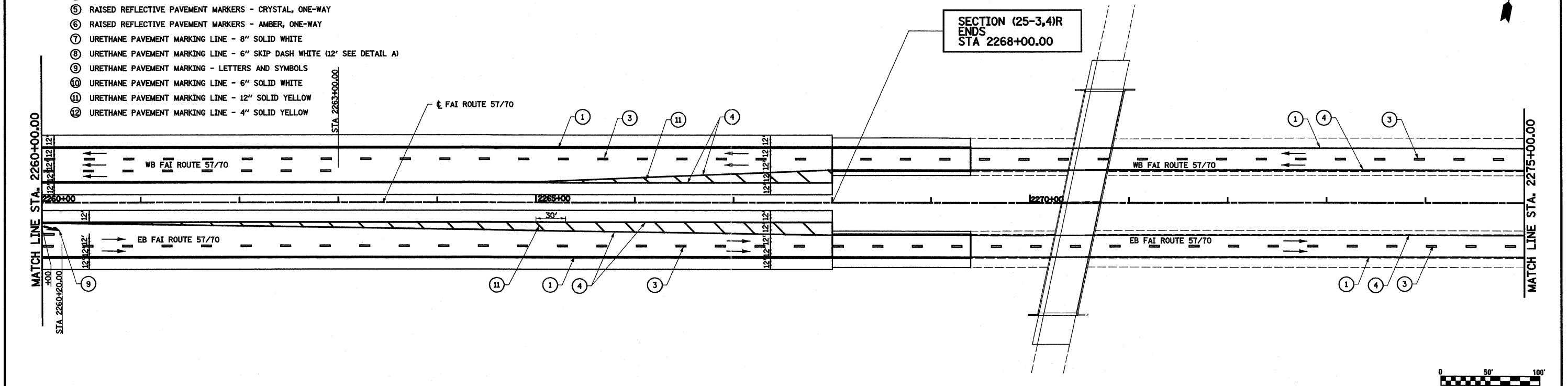


LEGEND

- ① URETHANE PAVEMENT MARKING LINE - 4" SOLID WHITE
- ② URETHANE PAVEMENT MARKING LINE - 12" SOLID WHITE
- ③ URETHANE PAVEMENT MARKING LINE - 6" SKIP DASH WHITE
- ④ URETHANE PAVEMENT MARKING LINE - 6" SOLID YELLOW
- ⑤ RAISED REFLECTIVE PAVEMENT MARKERS - CRYSTAL, ONE-WAY
- ⑥ RAISED REFLECTIVE PAVEMENT MARKERS - AMBER, ONE-WAY
- ⑦ URETHANE PAVEMENT MARKING LINE - 8" SOLID WHITE
- ⑧ URETHANE PAVEMENT MARKING LINE - 6" SKIP DASH WHITE (12' SEE DETAIL A)
- ⑨ URETHANE PAVEMENT MARKING - LETTERS AND SYMBOLS
- ⑩ URETHANE PAVEMENT MARKING LINE - 6" SOLID WHITE
- ⑪ URETHANE PAVEMENT MARKING LINE - 12" SOLID YELLOW
- ⑫ URETHANE PAVEMENT MARKING LINE - 4" SOLID YELLOW



FILE NAME = S:\p\proj\WB\88723-70.dwg\VL\JWS\pak_57r.dwg	USER NAME = bseibel	DESIGNED - JWS	REVISED -	STATE OF ILLINOIS DEPARTMENT OF TRANSPORTATION	PAVEMENT MARKING, FAI ROUTE 57/70		F.A.I. RTE. 57/70	SECTION (25-3,4)R	COUNTY EFFINGHAM	TOTAL SHEETS 1098	SHEET NO. 241	
PLOT SCALE = 1000.0000' / IN.	CHECKED - BRM	DATE - 4-08-08	REVISED -		SCALE: 1"=50'	SHEET NO. 9 OF 10 SHEETS	STA. 2245+00.00 TO STA. 2275+00.00	CONTRACT NO. 74299				
PLOT DATE = 3/17/2011	DATE - 4-08-08	REVISED -	REVISED -		FED. ROAD DIST. NO. [ILLINOIS] FED. AID PROJECT							