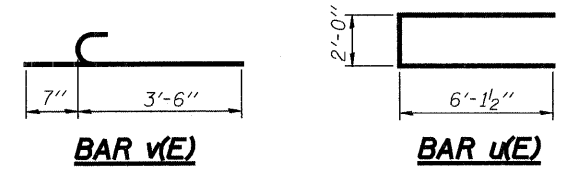
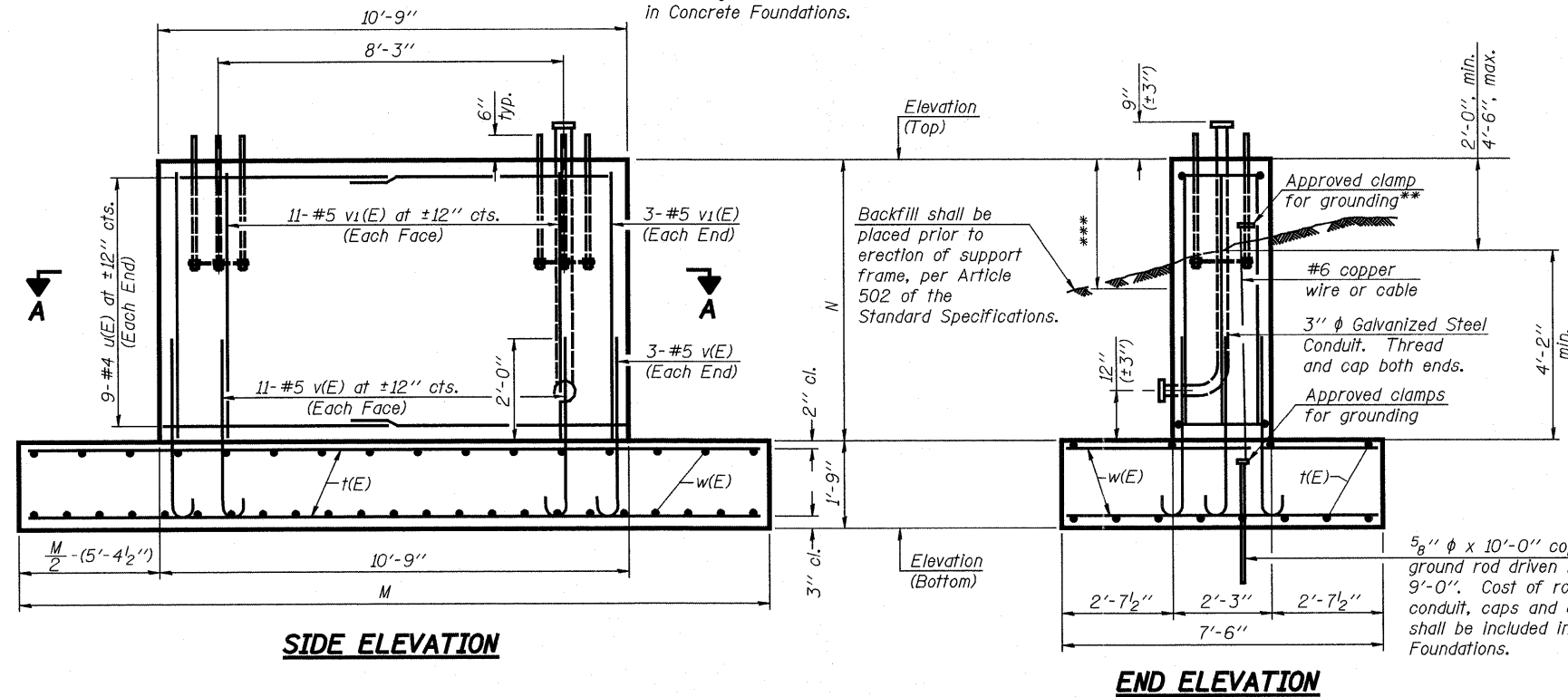


For anchor rod size and placement, see Support Frame Detail Sheet.

** Anchor rod shall be ground or filed to bright metal at clamp and cable connection location.

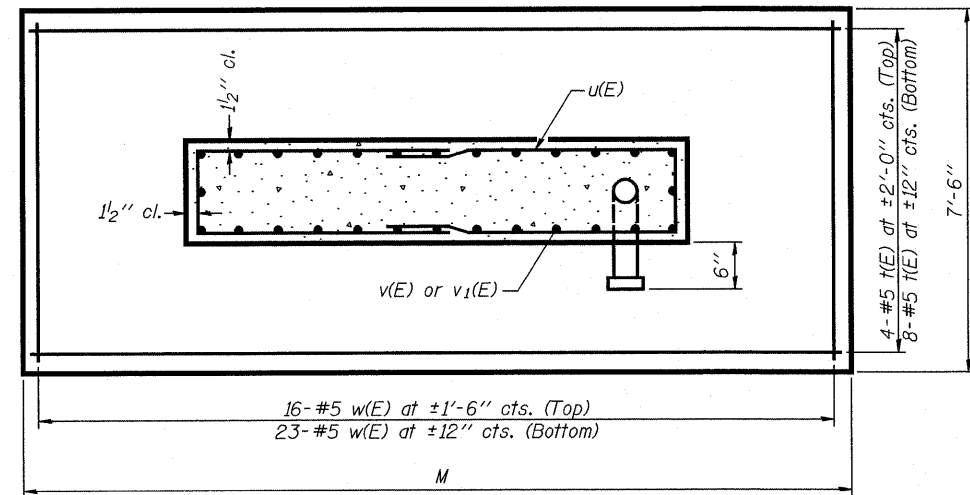
*** A normal surface finish followed by a Bridge Seat Sealer application will be required on concrete surfaces above the lowest elevation 6" below finished ground line. Cost included in Concrete Foundations.



BAR LIST - EACH FOUNDATION

Bar	Number	Size	Length	Shape
v(E)	12	#5	*	U
u(E)	18	#4	14'-3"	—
v(E)	28	#5	4'-1"	U
v ₁ (E)	28	#5	*	—
w(E)	39	#5	7'-3"	—

*Length of v(E) bar = (Dim. M) - 6"
v₁(E) bar = (Dim. N) - 3"



SECTION A-A

Structure Number	Station	Left Foundation				Right Foundation				Class SI Concrete (Cu. Yds.)
		Elevation Top	Elevation Bottom	N	M	Elevation Top	Elevation Bottom	N	M	
TS025I057R159.0	2131+68					597.12	588.21	7'-2"	21'-6"	16.9

Note:
The foundation dimensions shown are based on the presence of mostly cohesive soils with an average Unconfined Compressive Strength (Qu) of at least 1.0 tsf, which must be determined by previous soil investigations at the jobsite. When other conditions are indicated, the boring data will be included in the plans and the foundation dimensions shown will be the result of site specific designs.
During construction, if footing length or width or wall height change by more than 12", or if reinforcement is changed, "as-built" plans shall be prepared and submitted to the District Bureau of Operations for future reference.

DETAILS FOR 10" Ø SUPPORT FRAME

OS-F3

7-1-10

FILE NAME =	USER NAME =	DESIGNED - ESW	REVISED -
		CHECKED - JWS	REVISED -
PLOT SCALE =		DRAWN - PDB	REVISED -
PLOT DATE =		CHECKED - BRM	REVISED -

STATE OF ILLINOIS
DEPARTMENT OF TRANSPORTATION

OVERHEAD SIGN STRUCTURES
SPREAD FOOTING DETAILS
SHEET NO. 30 OF 49 SHEETS

F.A.I. RTE. 57/70	SECTION (25-3,4R)	COUNTY EFFINGHAM	TOTAL SHEETS 1098	SHEET NO. 272
			CONTRACT NO. 74299	
ILLINOIS FED. AID PROJECT				