

**SPECIFICATIONS FOR STANDARD ALUMINUM GRATING**

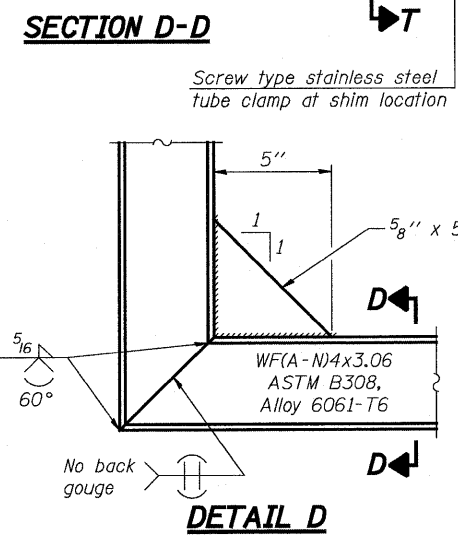
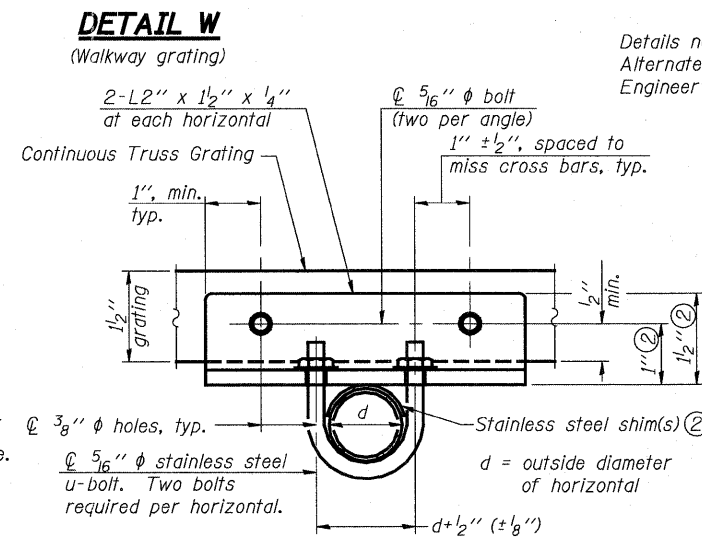
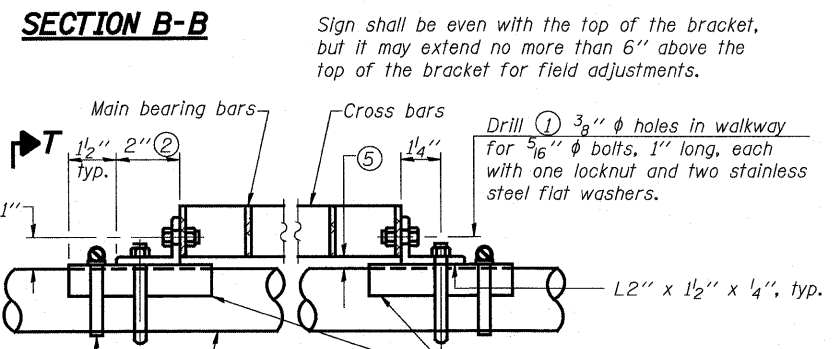
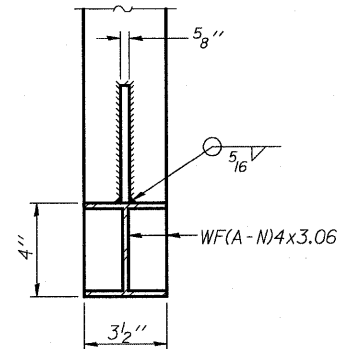
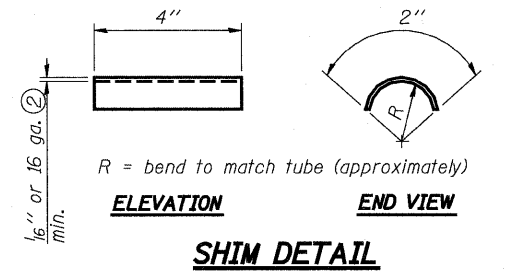
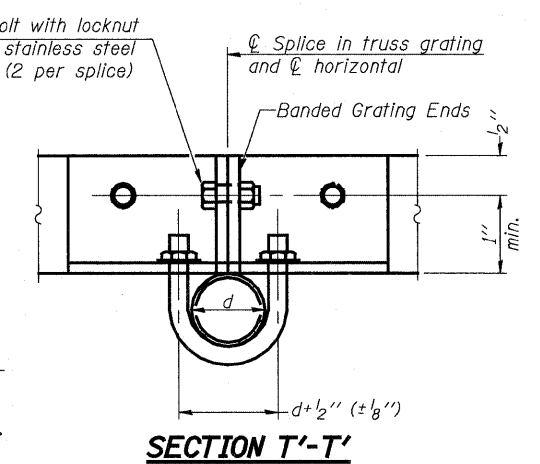
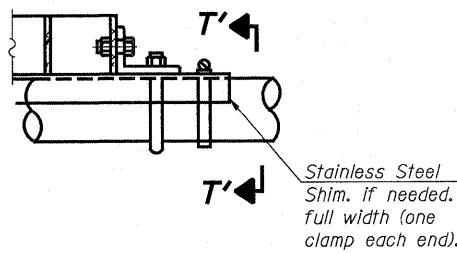
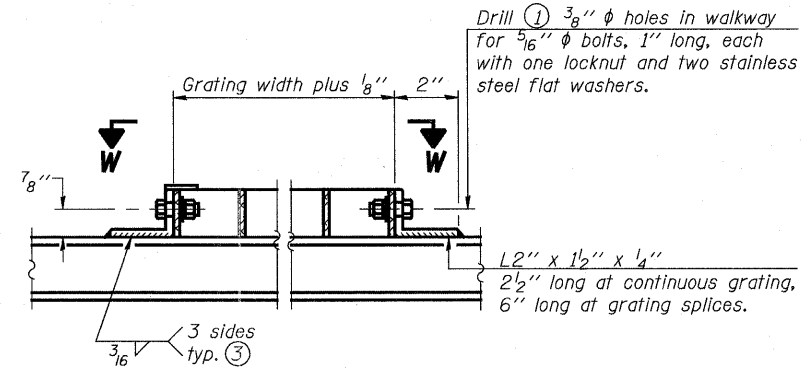
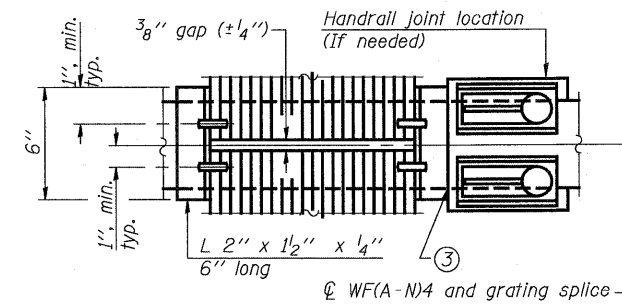
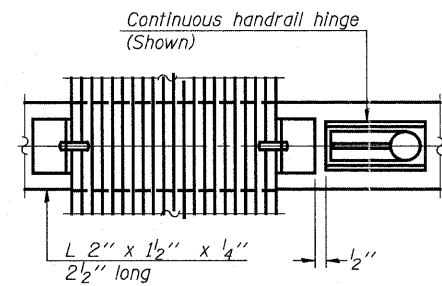
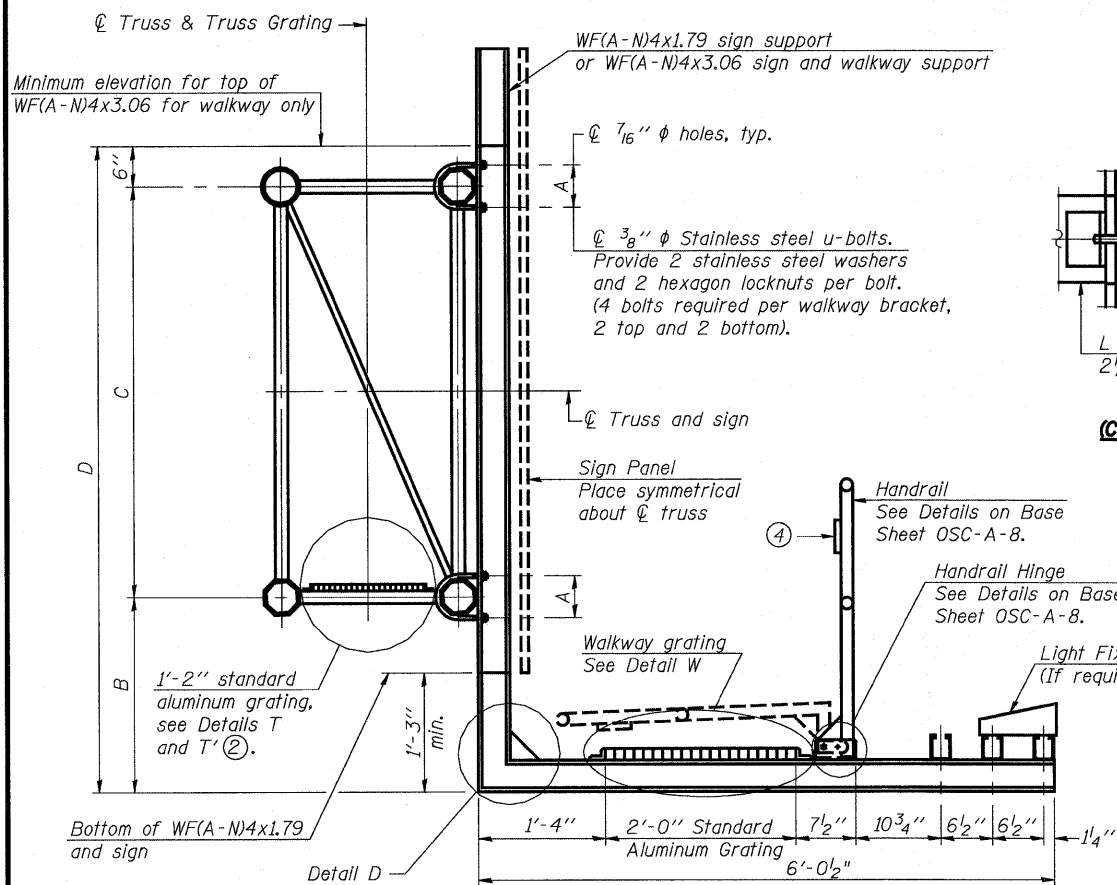
Main Bearing Bars (MBB) shall be  $\frac{3}{16}$ " x  $1\frac{1}{2}$ " on  $1\frac{3}{16}$ " centers and conform to ASTM B211 Alloy 6061-T6.  
 Cross bars (CB) shall be  $\frac{3}{16}$ " x  $1\frac{1}{2}$ " on 4" centers and conform to ASTM B221 Alloy 6063-T5 or 6061-T6.

**OR**

Aluminum Grating with modified "T" sections for main bearing bars shall meet the following requirements:

Main bars shall conform to ASTM B221 Alloy 6061-T6 and have a minimum section modulus equal to 0.0705 in.<sup>3</sup> per bar, a depth of  $1\frac{1}{2}$ ", spaced on  $1\frac{3}{16}$ " centers.

Cross bars shall conform to ASTM B221 Alloy 6063-T5 or T-42 and spaced on 4" centers.



Structure Number	Station	A	(6) B	C	(6) D
7C0251057R159.6	2165+19	7"	5'-3"	5'-6"	11'-3"
7C0251057R159.8	2176+00	7"	4'-0"	5'-6"	10'-0"
7C0251057L159.9	2178+90	7"	5'-6"	5'-6"	11'-6"

- Drilling holes in grating may be done in shop or field, based on Contractor's preference and subject to accurate alignment.
- Stainless steel shims shall be placed as shown in Detail T if needed to compensate for alignment variations between horizontal and diagonal pipes beyond adjustment provided by angles. Thicker shims may be used subject to shims performing properly.
- If Handrail Joint present, weld angle to WF(A-N)4 and 1/4" extension bars. (See Base Sheet OSC-A-8.)
- 1/8" x 1/2" x 2" welded to handrail posts to protect locations that contact grating.
- Tube to grating gap may vary from 0 to 1/2", max. to align walkway, allow for camber, etc.
- Based on actual sign height, Ds, given on OSC-A-1.

OSC-A-7

7-1-10

FILE NAME =	USER NAME =	DESIGNED - ESW	REVISED - 4-27-11
		CHECKED - JWS	REVISED -
		DRAWN - PDB	REVISED -
		CHECKED - BRM	REVISED -

STATE OF ILLINOIS  
DEPARTMENT OF TRANSPORTATION

CANTILEVER SIGN STRUCTURES - WALKWAY DETAILS  
ALUMINUM TRUSS & STEEL POST

F.A.I. RTE. 57/70	SECTION (25-3,4)R	COUNTY EFFINGHAM	TOTAL SHEETS 1098	SHEET NO. 283
CONTRACT NO. 74299				ILLINOIS FED. AID PROJECT

SHEET NO. 41 OF 49 SHEETS