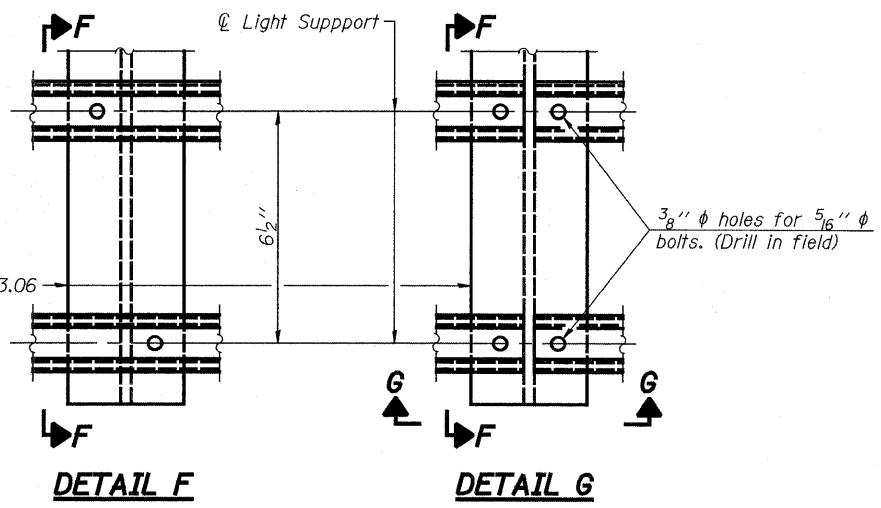


① Install standard force-fit end caps or weld 1/8" end plates with 1/8" c.f.w. and grind smooth. (All rail ends)  
Fittings-ASTM B26, Alloy 356-T7 or 1/2" φ aluminum pipe



**SIDE ELEVATION**  
(Showing Safety Chain W/O Sign)

**FRONT ELEVATION**

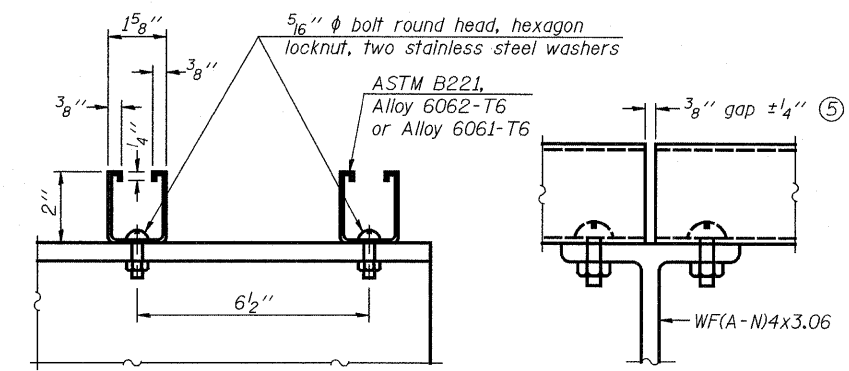
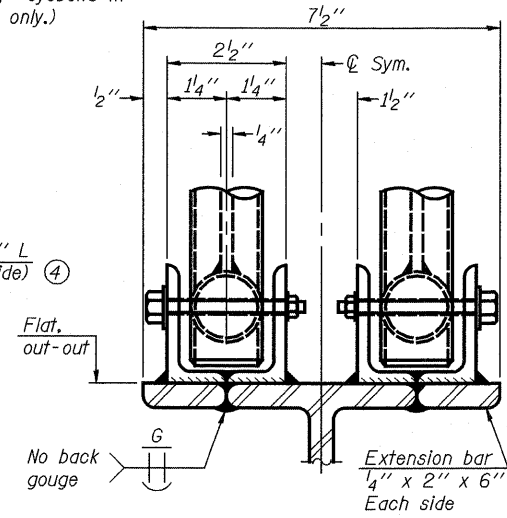
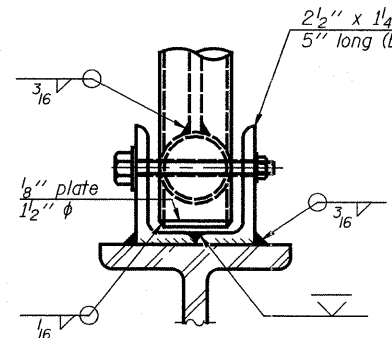
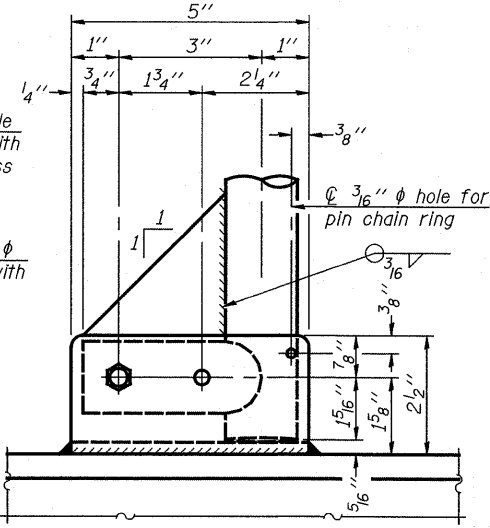
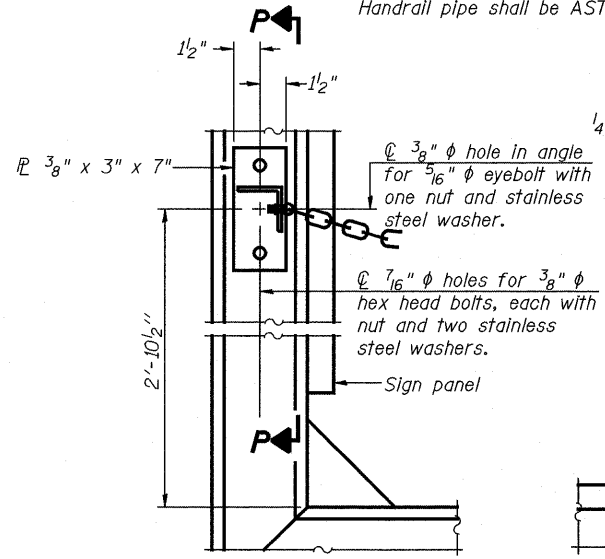
**DETAIL F**

**DETAIL G**

**HANDRAIL DETAILS**

Handrail pipe shall be ASTM B241 or B429, Alloy 6063-T6 or Alloy 6061-T6.

② Horizontal handrail member shall be continuous thru fitting. Provide 7/16" φ hole in fitting for 3/8" φ bolt. Field drill 7/16" φ hole in horizontal rail member. Provide locknut and two stainless steel washers for bolt. (Use 5/16" eyebolts in 7/16" φ holes on top rail at ends only.)



**SECTION F-F**

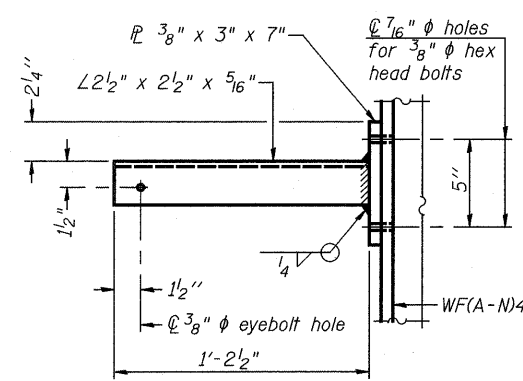
**SECTION G-G**

**LIGHTING FIXTURE MOUNTS (IF REQUIRED)**

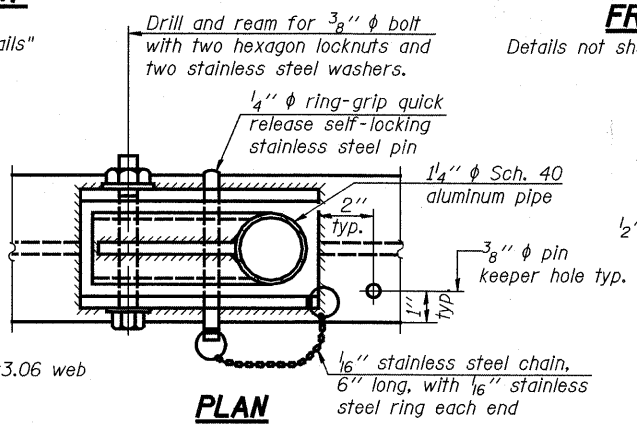
⑤ Field cut ends of light support channels shall be free of burrs or hazardous projections and coated with zinc-rich primer or equivalent.

**ALTERNATE SAFETY CHAIN ATTACHMENT**

(With Sign Present)  
Items not shown same as "Side Elevation" of "Handrail Details"



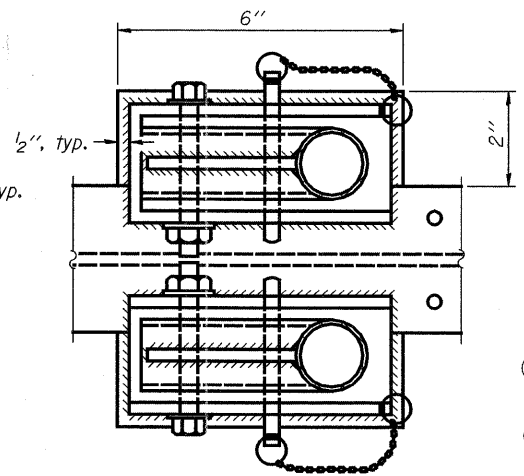
**SECTION P-P**



**PLAN DETAIL E HANDRAIL HINGE**

Details not shown same as "ELEVATION" at right.

**FRONT ELEVATION**

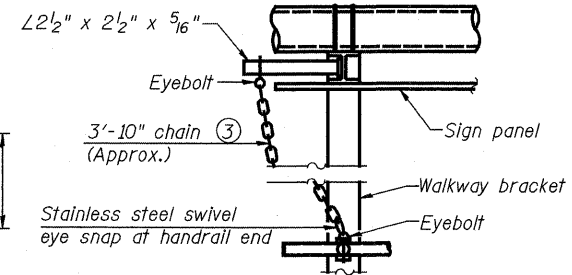


**PLAN AT HANDRAIL JOINT**

Details not shown same as "PLAN"

**ELEVATION AT HANDRAIL JOINT** ④

Details not shown same as "FRONT ELEVATION"

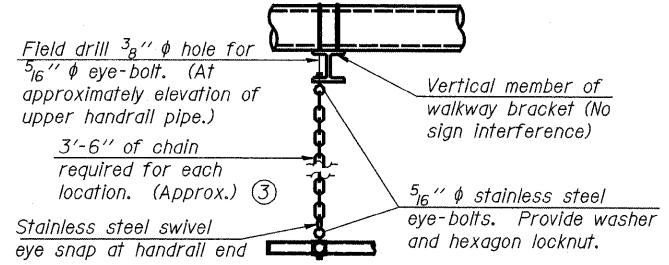


**ALTERNATE SAFETY CHAIN ATTACHMENT**

Details not shown similar to "Safety Chain" Details (Walkway omitted for clarity)

③ 3/16" Type 304L stainless steel chain, approximately 12 links per foot.

④ Extrusions may be used in lieu of the details shown, with approval of the Engineer.



**SAFETY CHAIN**

One required for each end of each walkway.

OSC-A-8

7-1-10

FILE NAME =	USER NAME =	DESIGNED - ESW	REVISD -	STATE OF ILLINOIS DEPARTMENT OF TRANSPORTATION	CANTILEVER SIGN STRUCTURES - HANDRAIL DETAILS ALUMINUM TRUSS & STEEL POST	F.A.T. RTE.	SECTION	COUNTY	TOTAL SHEETS	SHEET NO.
PLOT SCALE =	CHECKED - JWS	REVISD -	57/70			(25-3,4R)	EFFINGHAM	1098	285	
PLOT DATE =	DRAWN - PDB	REVISD -	CONTRACT NO. 74299							
	CHECKED - BRM	REVISD -	ILLINOIS FED. AID PROJECT							