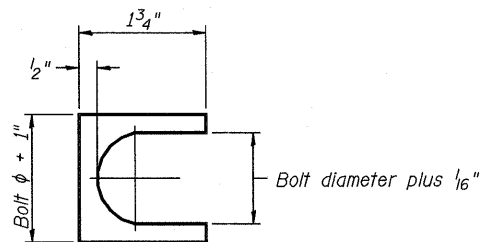


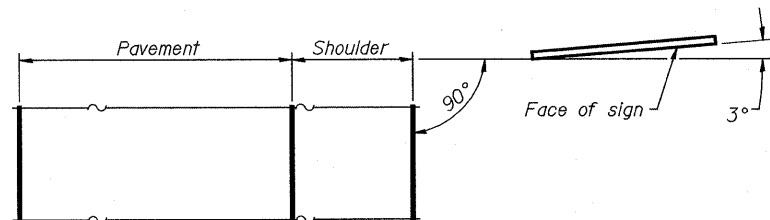
**ELEVATION**

0.15W	2 spaces at 0.35W	0.15W	for 3 posts
0.125W	3 spaces at 0.25W	0.125W	for 4 posts
0.1W	4 spaces at 0.2W	0.1W	for 5 posts
0.1W	5 spaces at 0.16W	0.1W	for 6 posts
0.08W	6 spaces at 0.14W	0.08W	for 7 posts

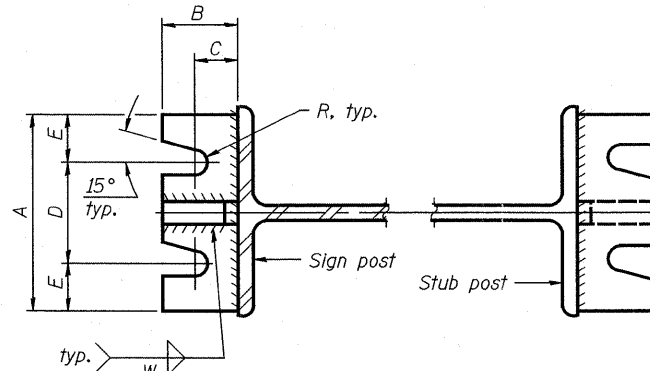


**SHIM DETAIL**

Furnish two 0.01" thick and two 0.03" thick stainless steel or brass (ASTM B36) shims per post.

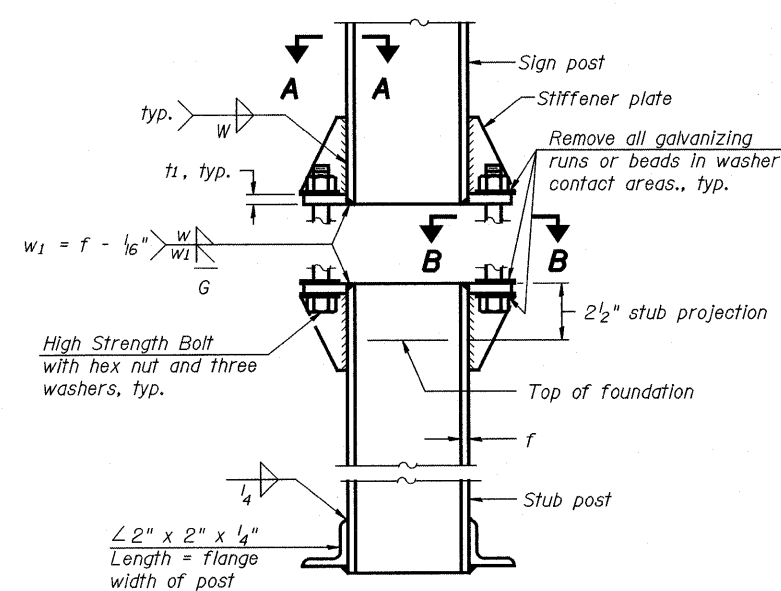


**LOCATION SKETCH**

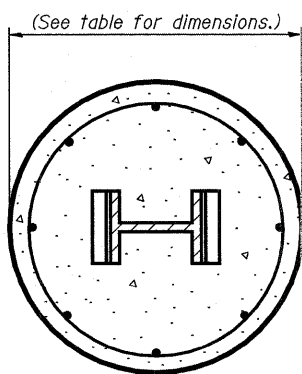


**SECTION A-A**

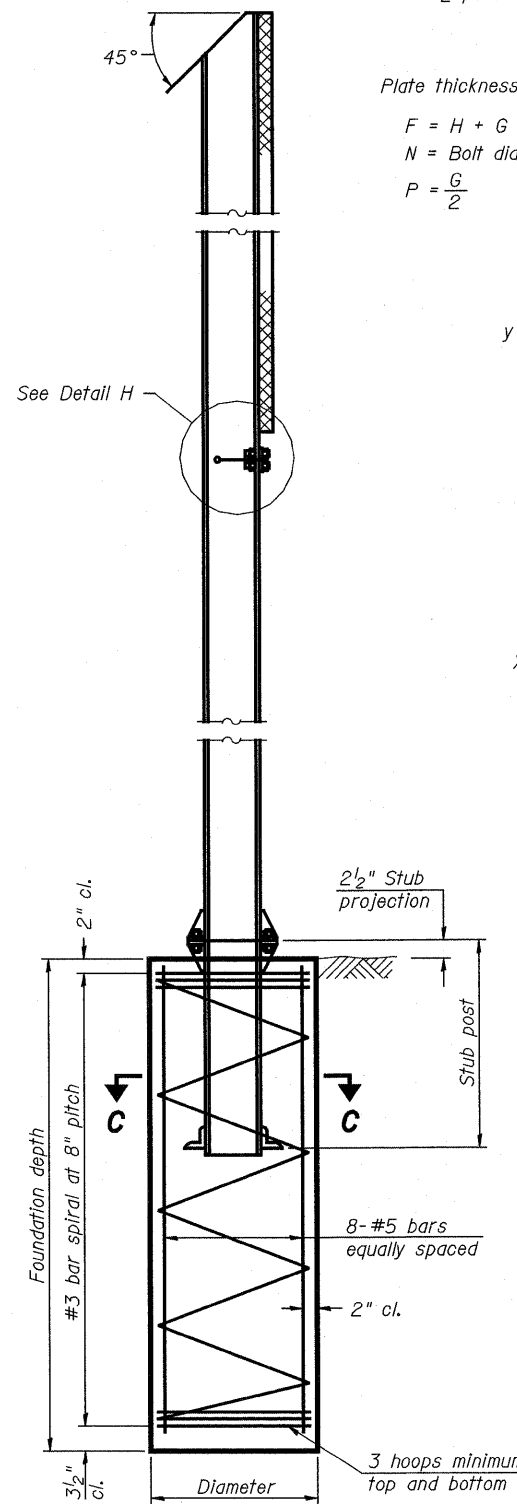
**SECTION B-B**



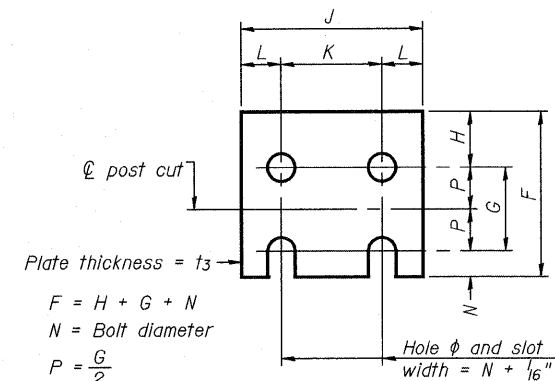
**ELEVATION  
SIGN POST & STUB POST**



**SECTION C-C**



**SECTION D-D**



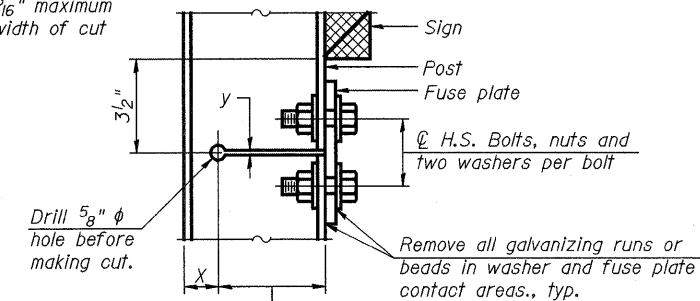
**FUSE PLATE DETAIL**

(Install with notches down.)

$F = H + G + N$   
 $N = \text{Bolt diameter}$   
 $P = \frac{G}{2}$

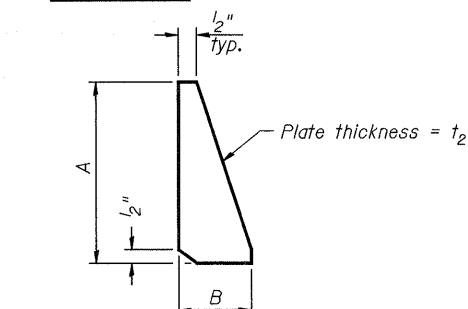
N = Bolt Diameter	G	H
1/2"	2"	1 1/8"
5/8"	2 1/4"	1 1/4"
3/4"	2 1/2"	1 3/8"
7/8"	2 3/4"	1 1/2"
1"	3"	1 5/8"
1 1/8"	3 1/4"	1 3/4"
1 1/4"	3 1/2"	1 7/8"

$y = 3/16"$  maximum width of cut



**DETAIL H**

$X = \text{flange and fillet depth plus } 3/8"$



**STIFFENER PLATE DETAIL**

Diameter

**GENERAL NOTES**

Posts shall be plumbed by using shims with post-to-stub post connection bolts snug tight only. Final tightening of all High Strength Bolts shall be in accordance with Article 727.05 and threads at the junction of the bolt and nut shall be burred or center punched to prevent the nut from loosening.

LOADING: 80 m.p.h. wind with 30% gust factor, normal to sign.

DESIGN STRESSES:  
 Structural steel - 20,000 p.s.i.  
 Reinforcing steel - 20,000 p.s.i.  
 Concrete - 1,400 p.s.i.  
 Footing soil pressure - 2,000 p.s.f.

After fabrication, the post, fuse plate and upper 6", min. of the stub post shall be hot-dip galvanized in accordance with AASHTO M111. All bolts, nuts and washers shall be hot-dip galvanized in accordance with AASHTO M232.

Work this sheet with Base Sheet BAW-A-2.

(Sheet 1 of 2)

BAW-A-1

7-1-10

FILE NAME =	USER NAME =	DESIGNED - ESW	REvised -	STATE OF ILLINOIS DEPARTMENT OF TRANSPORTATION	BREAK-AWAY WIDE FLANGE STEEL SIGN POST DETAILS	F.A.I. RTE. 57/70	SECTION (25-3,4)R	COUNTY EFFINGHAM	TOTAL SHEETS	SHEET NO.
PLOT SCALE =	DRAWN - PDB	REvised -	1098						288	
PLOT DATE =	CHECKED - BRM	REvised -	CONTRACT NO. 74299							
			ILLINOIS FED. AID PROJECT							

SHEET NO. 46 OF 49 SHEETS