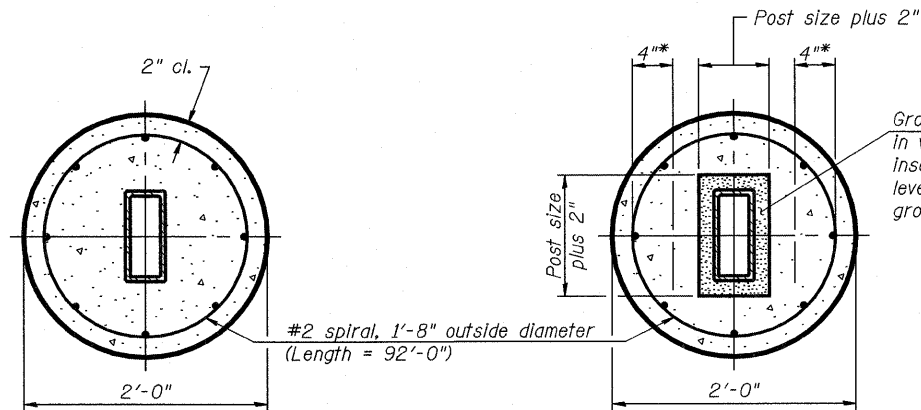


**FRONT ELEVATION**

**SIDE ELEVATION**

**MAIN POST & STUB POST**

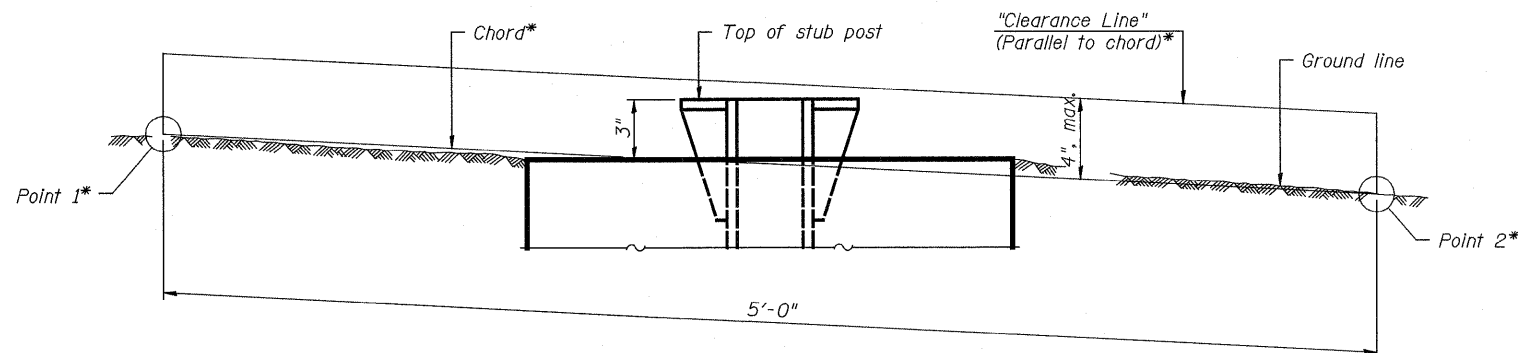


**SECTION A-A  
(CAST-IN-PLACE)**

OR

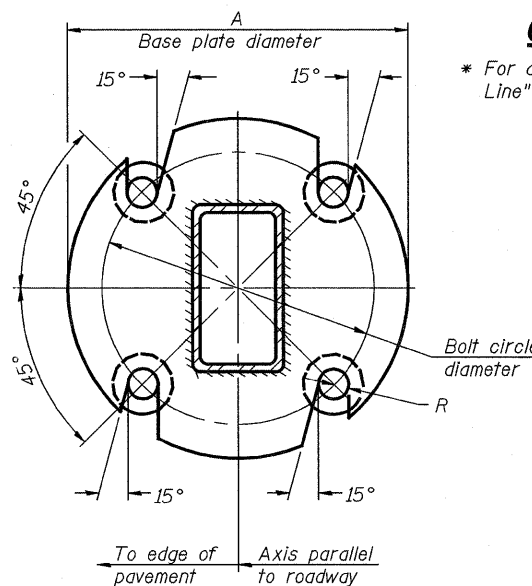
**SECTION A-A  
(PRECAST)**

\* Hot dip galvanized lifting loops or inserts may be placed in precast foundation inside the spiral reinforcement but not within 6" of the long axis of the post. Inserts must be adequate for safely lifting a total of 3,000 pounds and must not interfere with installation of the stub post or proper functioning of the slip base.

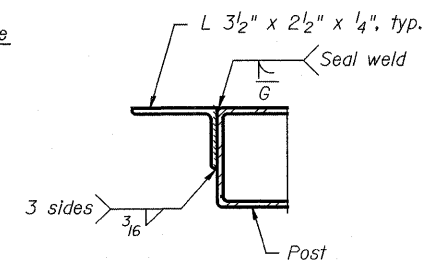


**ELEVATION  
GROUND LINE & STUB POST**

\* For all "Point 1" and "Point 2" locations, "Clearance Line" must be at or above top of stub post.

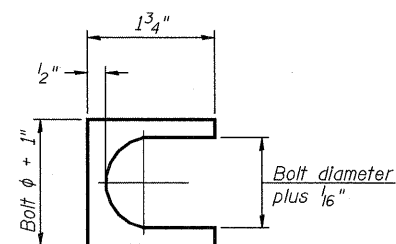


**SECTION B-B**



**SECTION C-C**

Weld continuously around corners.



**SHIM DETAIL**

Furnish two 0.01" thick and two 0.03" thick stainless steel or brass (ASTM B36) shims per post.

BAT-A-2

7-1-10

(Sheet 2 of 2)

FILE NAME =	USER NAME =	DESIGNED - ESW	REvised -	<b>STATE OF ILLINOIS DEPARTMENT OF TRANSPORTATION</b>	<b>BREAK-AWAY TUBULAR STEEL SIGN POSTS AND DETAILS</b>	F.A.I. RTE.	SECTION	COUNTY	TOTAL SHEETS	SHEET NO.	
	PLOT SCALE =	CHECKED - JWS	REvised -			57/70	(25-3,4)R	EFFINGHAM	1098	291	
	PLOT DATE =	DRAWN - PDB	REvised -			<b>CONTRACT NO. 74299</b>					
		CHECKED - BRM	REvised -			ILLINOIS FED. AID PROJECT					
SHEET NO. 49 OF 49 SHEETS											