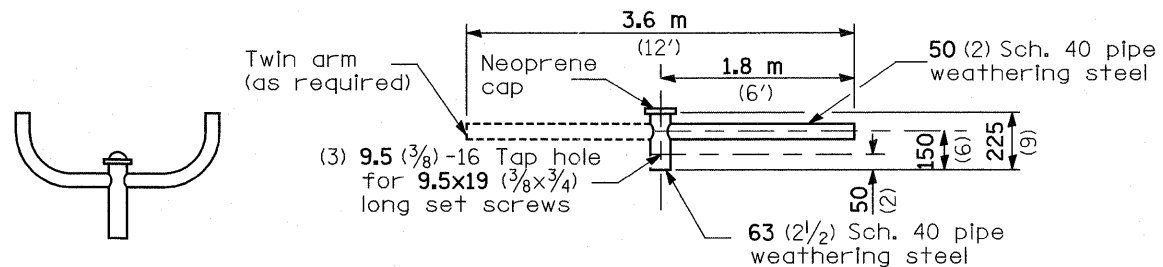


The contractor shall furnish and install a light pole identification of each new light pole, as shown above, incidental to the respective light pole pay item. The numerals shall be 3" series "D", black, screened on silver-white type B pressure sensitive reflective sheeting conforming to the requirements of section T602.01 of the Standard Specifications for Traffic Control Items. The numerals shall conform to the FHWA "Standard Alphabets for Highway Signs".

The light pole identification shall be applied to sign base material as specified in section 1069.06 of the Standard Specifications, approximately 7" above the adjacent pavement grade visible to approaching traffic in accordance with Highway Standard 720001.

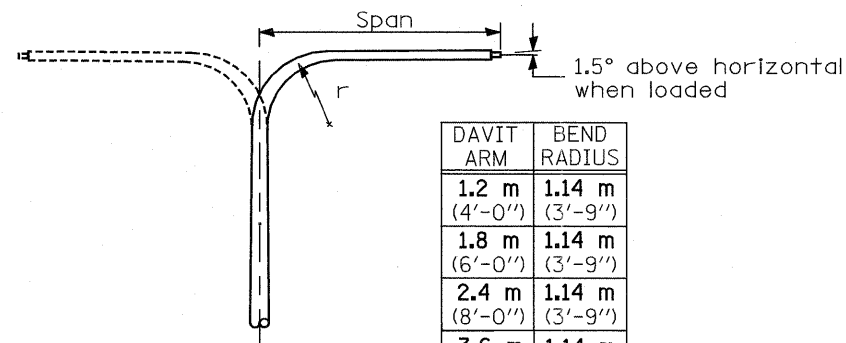
Consult District 7 for pole numbering scheme.



TWIN TENON

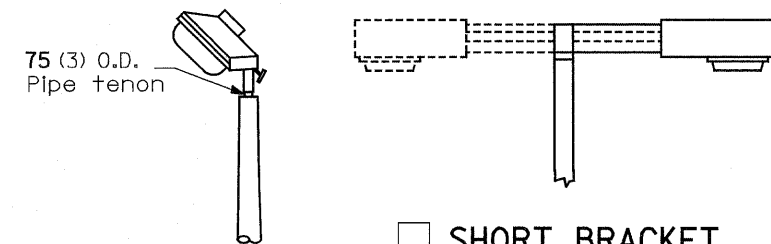
TENON MOUNT BRACKET ARM

NOTE: Single or twin arm assembly shall be tilted 3° above horizontal.



DAVIT ARM

DAVIT ARM-TWIN



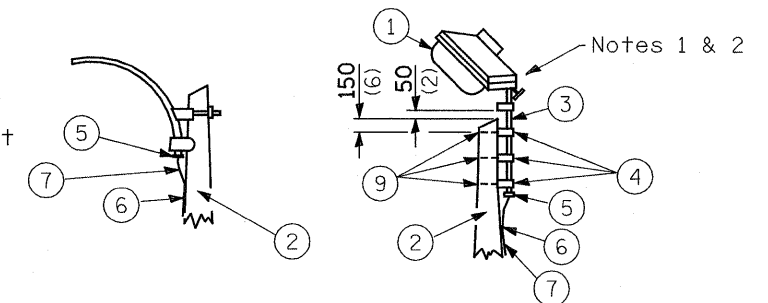
TENON

SHORT BRACKET

SHORT BRACKET - TWIN

NOTES:

- Luminaire(s) shall have a 2-pole inline weatherproof quick disconnect fuse holder.
- Luminaire(s) shall be oriented and the mounting angle adjusted as recommended by the Engineer.

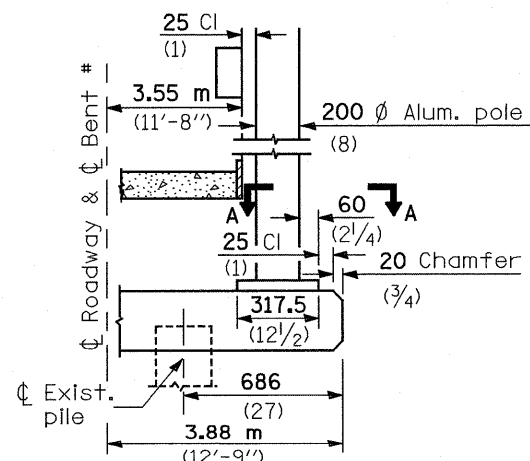


MAST ARM

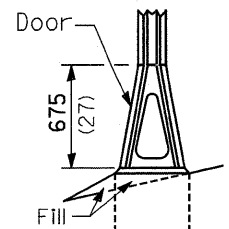
TENON

- Luminaire
- Wood pole, class 3 or better
- 63 (2 1/2) Galv. steel conduit
- Single offset pole band
- Conduit bushing
- Cable lights on 600 (24) centers
- 2/c #10 Type use cable
- 25 (1) Galv. steel conduit 3.0 m (10') in length

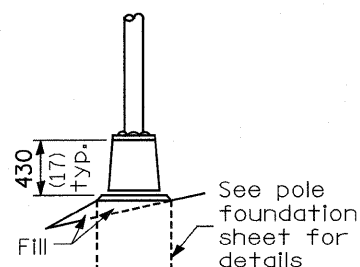
- 16 (5/8) Ø hot dipped galvanized bolt with flat washer & locknut (3 req'd)
- Conduit lights on 900 (36) centers
- Unit duct, size per plans
- Threaded reducer
- "C" Condulet, threaded
- 40 (1 1/2) Galv. steel conduit for 1 unit duct or 75 (3) galv. steel conduit for 2 or 3 unit ducts.



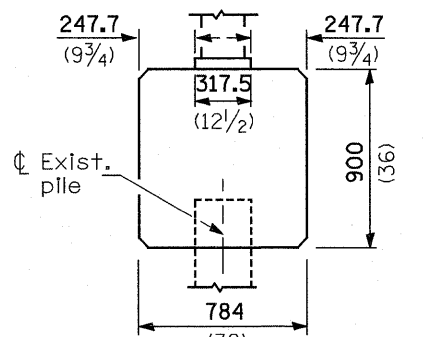
BENT #
(Looking)



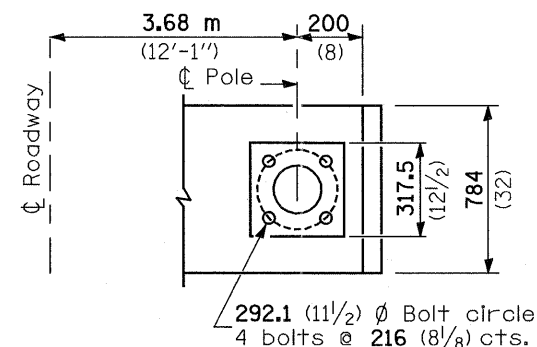
STAINLESS STEEL FLAIR BASE



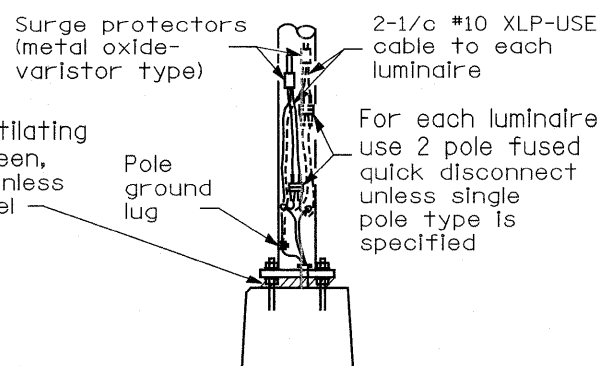
TRANSFORMER BASE



BRIDGE PIER MOUNT



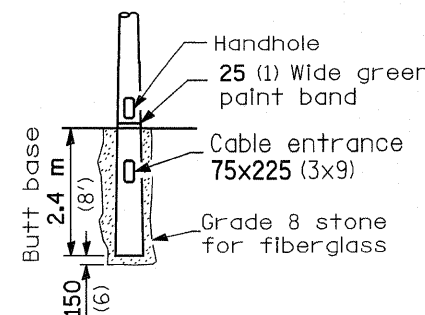
SECTION A-A



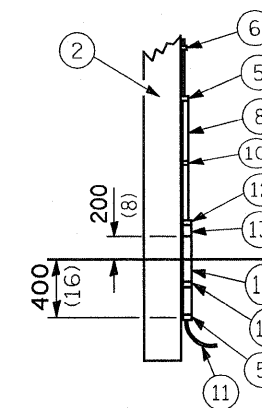
ANCHOR

METAL OR CONCRETE

Details for underground distribution if required



BUTT BASE



POLE, WOOD

POLE LENGTH	DEPTH IN GROUND
19.8 m (65')	3.6 m (12')
18.0 m (60')	3.0 m (10')
16.8 m (55')	2.7 m (9')
16.0 m (50')	2.4 m (8')
13.7 m (45')	2.1 m (7')
12.0 m (40')	2.0 m (6.5')
10.7 m (35')	1.8 m (6')
9.0 m (30')	1.7 m (5.5')

All dimensions are in millimeters (Inches) unless otherwise shown.