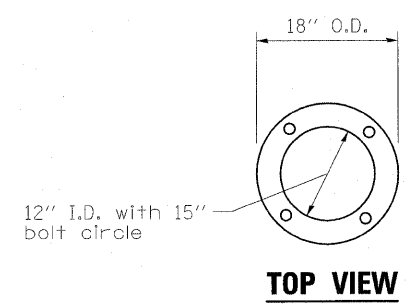
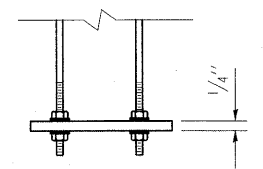


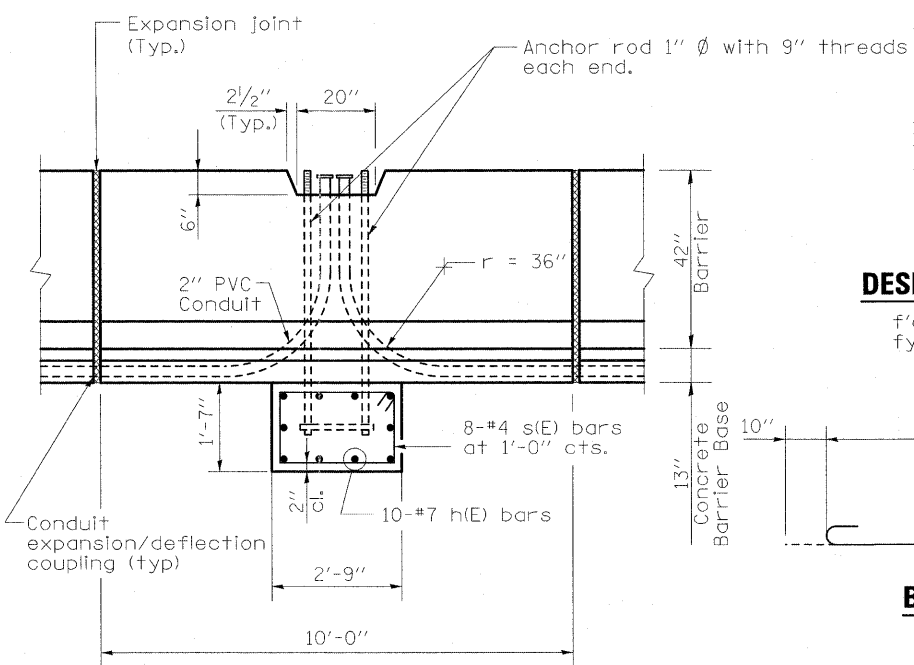
ELEVATION FOUNDATION



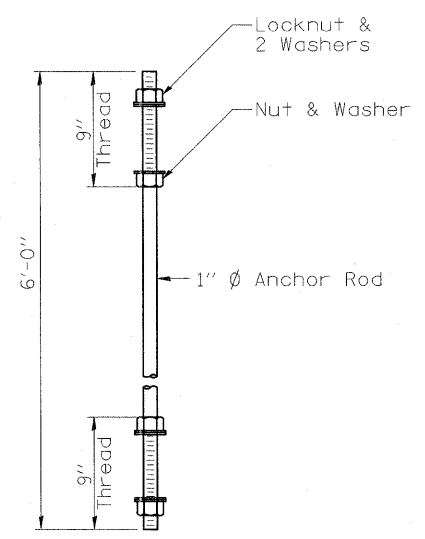
TOP VIEW



RING PLATE DETAIL



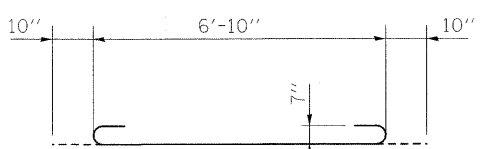
SECTION A-A



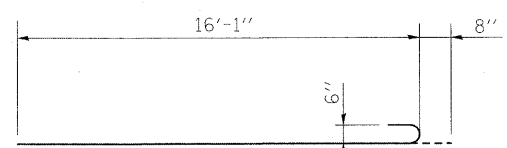
ANCHOR ROD DETAIL

DESIGN STRESSES

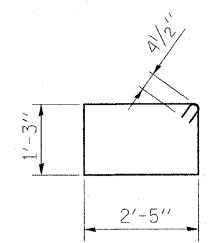
f'c = 3500 psi
fy = 60,000psi



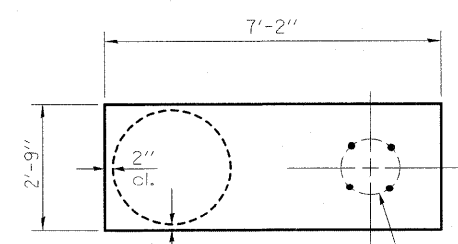
BAR h(E)



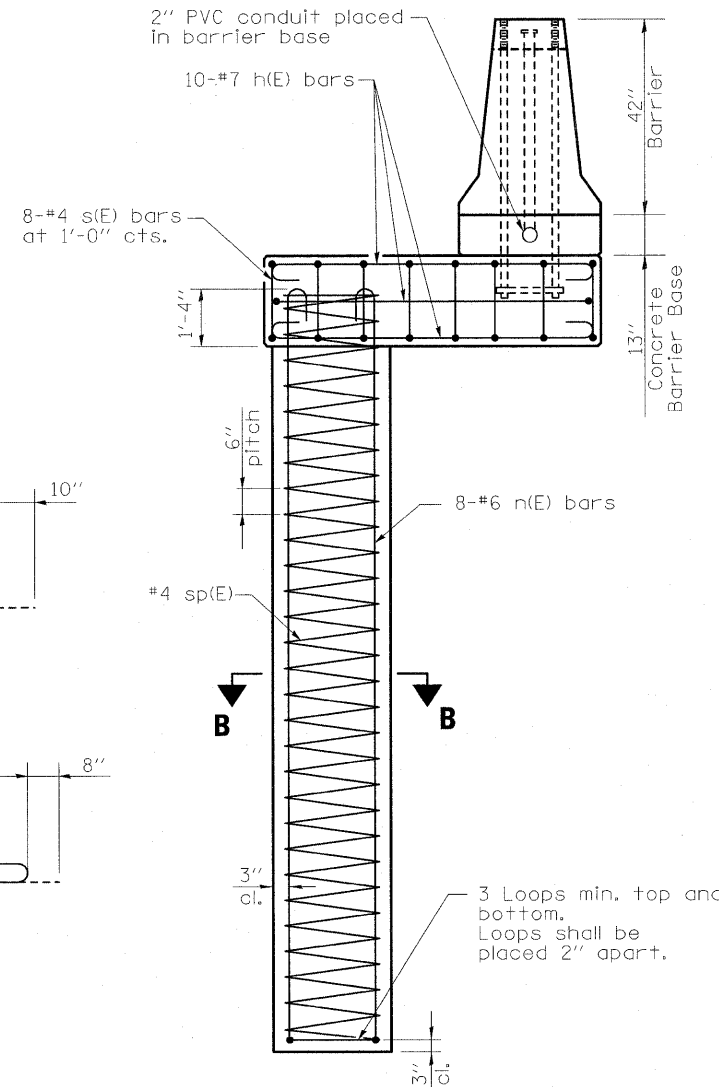
BAR n(E)



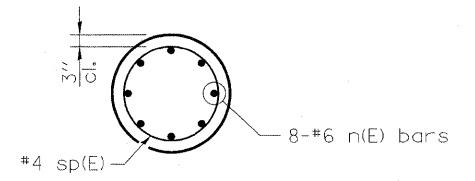
BAR s(E)



PLAN - CAP BEAM



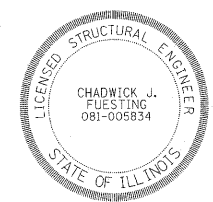
ELEVATION FOUNDATION (with Reinforcement)



SECTION B-B

BILL OF MATERIALS

Bar	No.	Size	Length	Shape
h(E)	10	#7	8'-6"	U
n(E)	8	#6	16'-9"	U
s(E)	8	#4	8'-1"	□
sp(E)	1	#4	16'-1"	WWW



EXP. 11-30-2012
Chadwick J. Fuesting 3/16/11