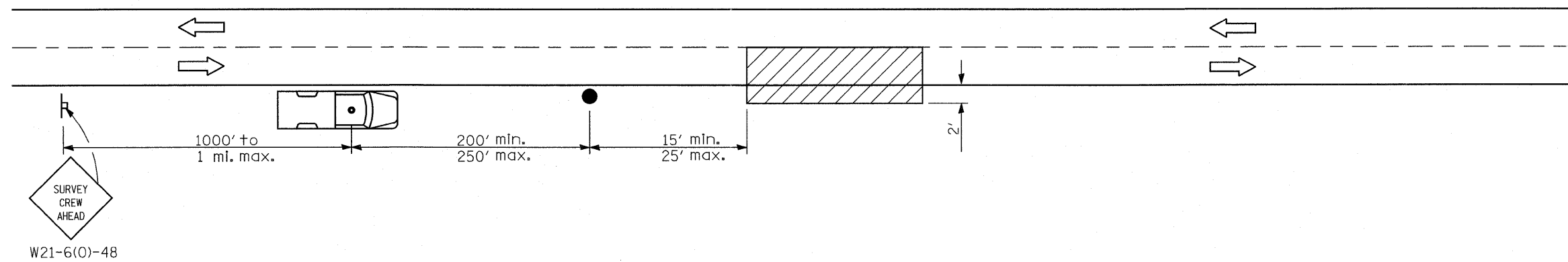
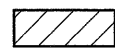
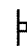


NOTE:  
 FINAL INSPECTION FOR LIGHTING MUST BE PERFORMED WHILE LANE CLOSURE FOR CONSTRUCTION IS IN PLACE. OTHERWISE, LANE CLOSURE SHALL BE ARRANGED FOR FINAL INSPECTION AT THE CONTRACTOR'S EXPENSE.




SYMBOLS

 Work area

 Sign on portable or permanent support

 Truck with flashing amber light and dual emergency flashers

 Flagger with traffic control sign

TYPICAL APPLICATIONS

Utility operations

FILE NAME =	USER NAME = paul	DESIGNED - VG	REVISED -	<b>STATE OF ILLINOIS DEPARTMENT OF TRANSPORTATION</b>	<b>DETAIL FOR NIGHTTIME LIGHTING INSPECTION, FAI ROUTE 57/70</b>		F.A.I RTE.	SECTION	COUNTY	TOTAL SHEETS	SHEET NO.
S:\Projects\403-00072-57-70\dgn\M_Keller\lighting det.dgn		DRAWN - PDB	REVISED -				57/70	(25-3,4)R	EFFINGHAM	1098	327
PLOT SCALE = 48,0000 ' / IN.		CHECKED - BRM	REVISED -		SCALE: SHEET NO. 29 OF 34 SHEETS STA. TO STA.		FED. ROAD DIST. NO. ILLINOIS FED. AID PROJECT		CONTRACT NO. 74299		
PLOT DATE = 3/18/2011		DATE - 8-5-10	REVISED -								