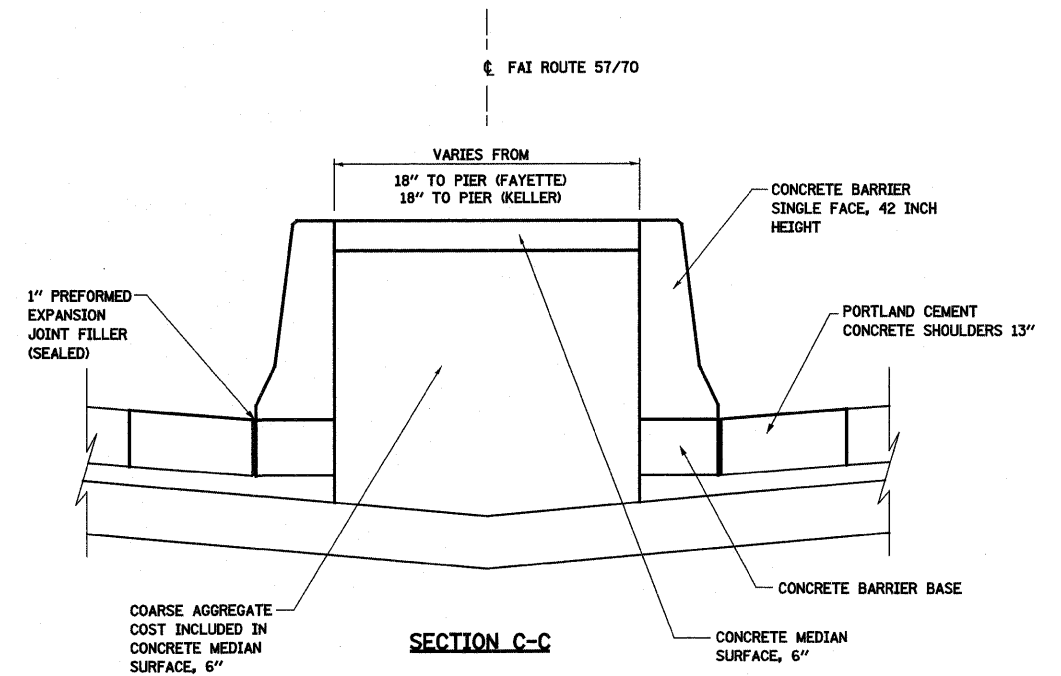
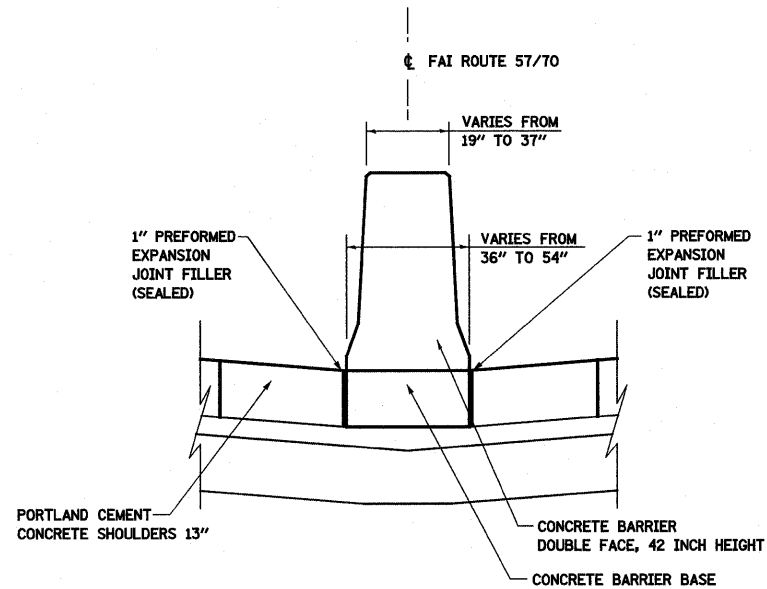


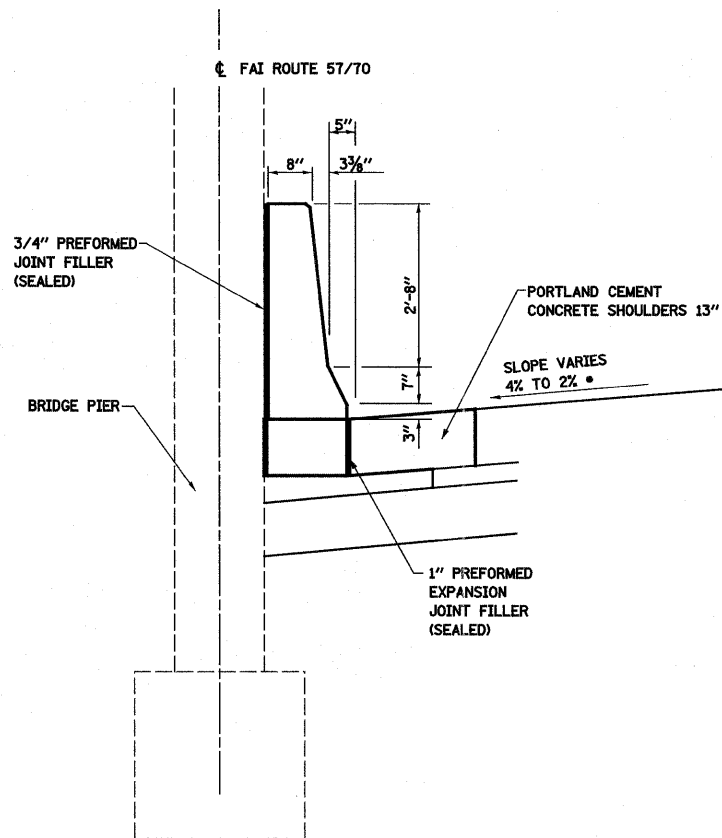
TYPICAL APPLICATION - CONCRETE BARRIER



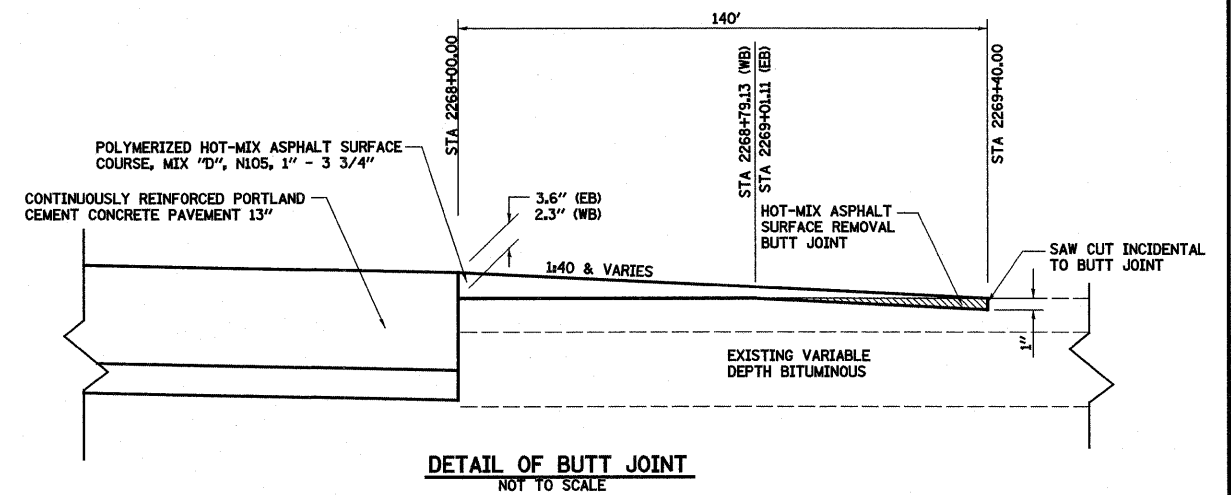
SECTION C-C



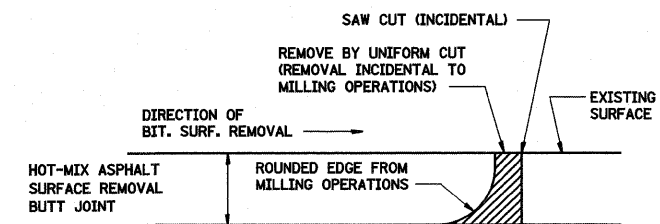
SECTION A-A



SECTION D-D



DETAIL OF BUTT JOINT
NOT TO SCALE



NOTE: WHEN MILLING OPERATIONS PRODUCE A ROUNDED EDGE, THEN A SAW CUT SHALL BE USED TO MANUFACTURE A PERPENDICULAR EDGE AS SHOWN IN THE DETAIL. THE ENGINEER SHALL BE THE SOLE JUDGE CONCERNING THE USE OF THIS DETAIL.

BITUMINOUS DETAIL AT BUTT JOINTS
NOT TO SCALE

FILE NAME =	USER NAME = John	DESIGNED - JWS	REVISED -
S:\Projects\403-00072-57-70\dgn\ML_Keller\Misc Detail.dgn		DRAWN - PDB	REVISED -
PLOT SCALE = 5.0000' / IN.		CHECKED - BRM	REVISED -
PLOT DATE = 3/20/2011		DATE - 4-16-09	REVISED -

STATE OF ILLINOIS
DEPARTMENT OF TRANSPORTATION

MISCELLANEOUS DETAILS, FAI ROUTE 57/70

SCALE: 1"=2.5'

SHEET NO. 3 OF 4 SHEETS

F.A.I. RTE.	SECTION	COUNTY	TOTAL SHEETS	SHEET NO.
57/70	(25-3,4)R	EFFINGHAM	1098	351
FED. ROAD DIST. NO. ILLINOIS FED. AID PROJECT			CONTRACT NO. 74299	