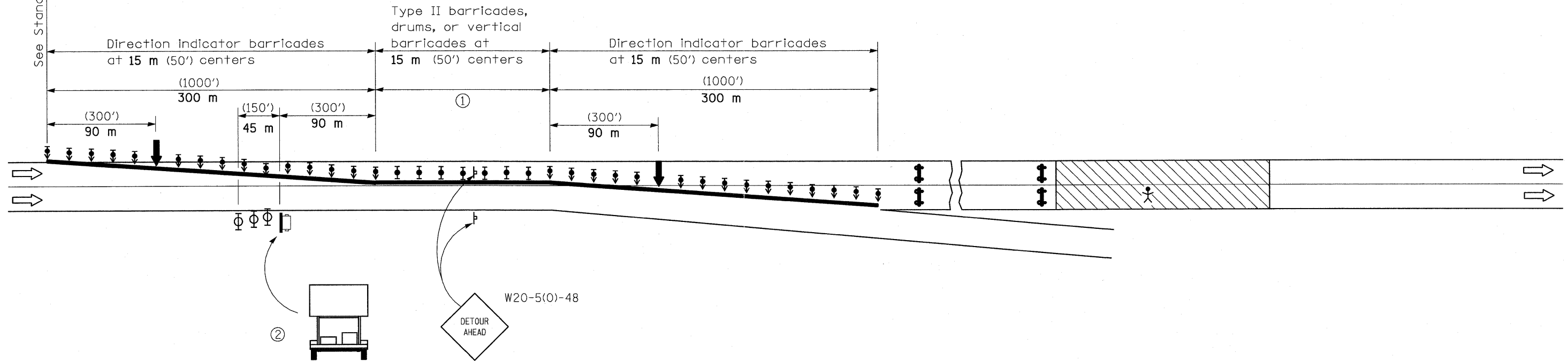


See Standard 701400-SPL for approach
Start of lane closure taper



SYMBOLS

- Arrow board
- Work area
- Worker
- Sign
- Direction indicator barricade with steady burn monodirectional light
- Type II barricade, drum, or vertical barricade with steady burn monodirectional light
- Portable changeable message sign
- Type III barricade with flashing monodirectional lights

① The length of the min. tangent section shall be:

Duration of Closure	Length of Tangent Section
< 14 Days	300 m (1000')
≥ 14 Days	600 m (2000')

For off peak closures less than 24 hours, the tangent section may be omitted if approved by the Engineer.

② The message board shall be used to display status of lanes within the project. The primary messages shall be:
"All Trf Must Exit" / "Follow Marked Detour"

GENERAL NOTES

This Standard is to be used for the closure of a Freeway/Expressway.

This Standard must always be used in combination with Standard 701400-SPL

This Standard also applies when the exit ramp is on the left side of traffic. Under these conditions, the set up would be a mirror image to what is shown.

All dimensions are in millimeters (inches) unless otherwise shown.