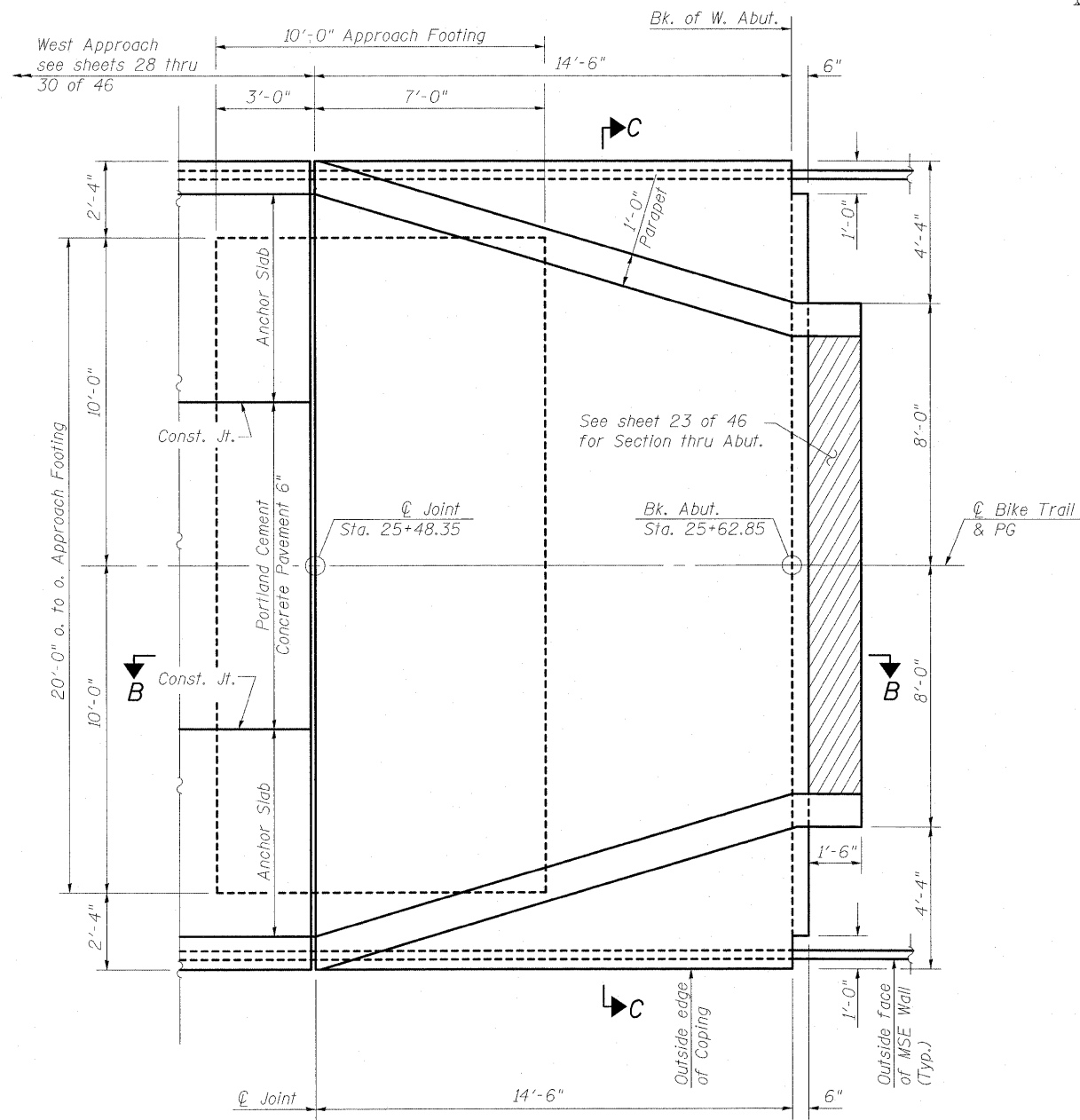
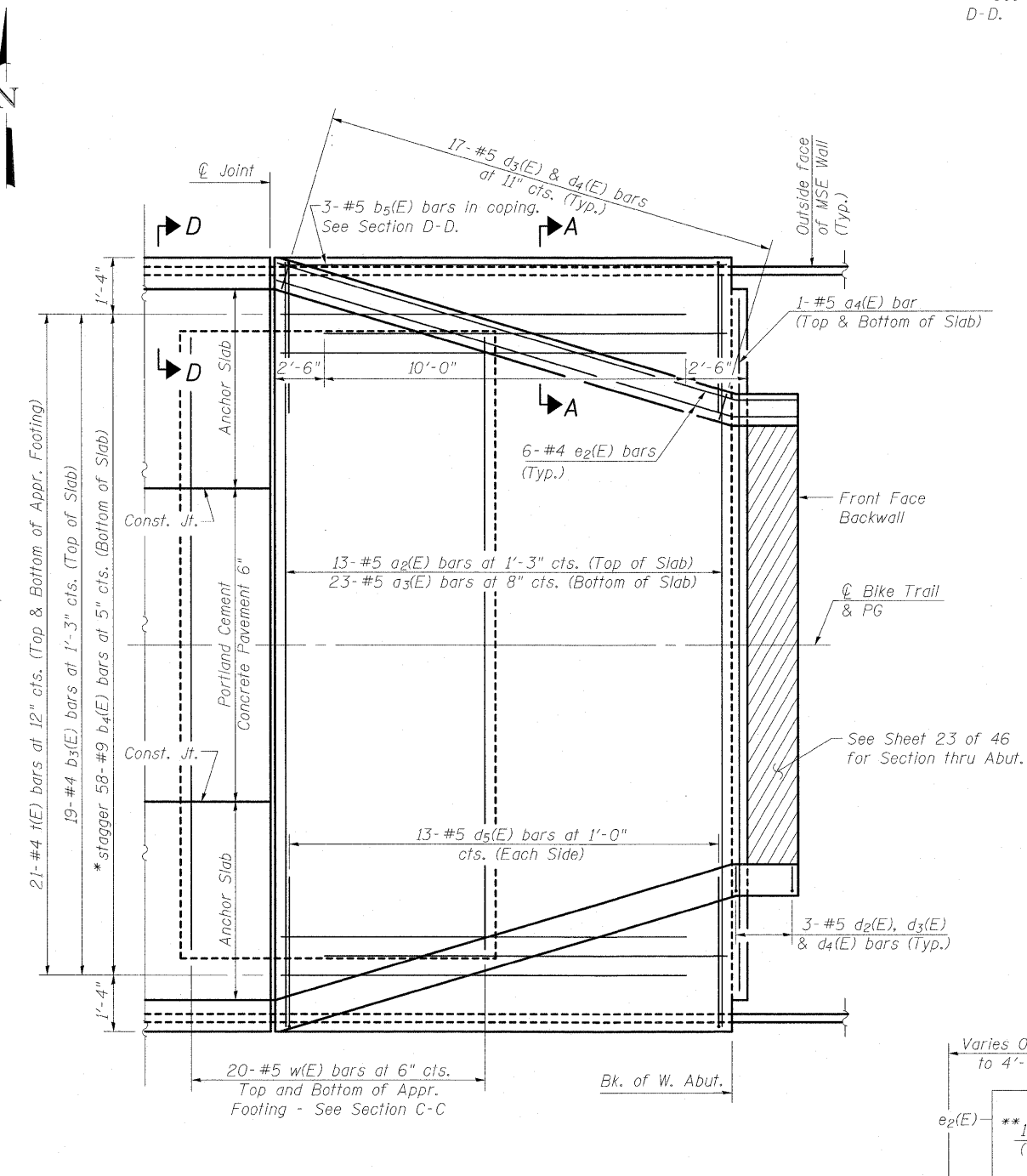


Note:
See sheet 16 of 46 for Sections B-B & C-C and View D-D.

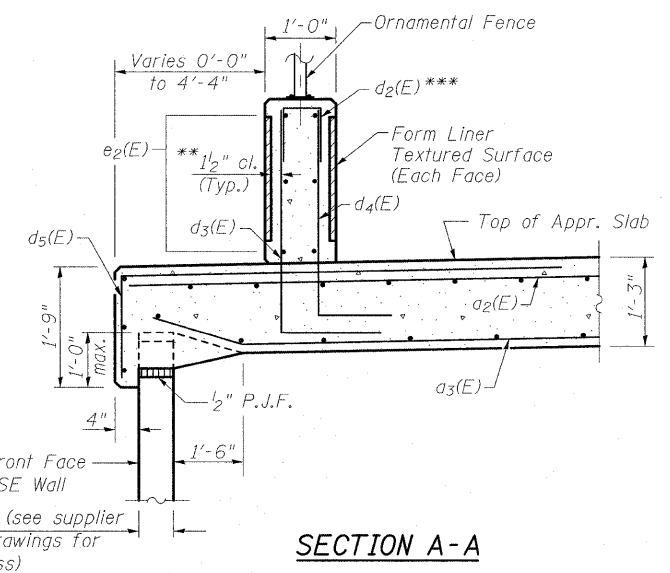


WEST BRIDGE APPROACH SLAB
(showing dimensions)



WEST BRIDGE APPROACH SLAB
(showing reinforcement)

*Till #9 b₄(E) bars as required to maintain clearance.
**Clear distance taken from inner-most edge of form liner.
***Place 2-d₂(E) bars at each Ornamental Fence post



FILE NAME = ...0774299-0256010-st1015.dgn	USER NAME =	DESIGNED - BB	REVISED -	STATE OF ILLINOIS DEPARTMENT OF TRANSPORTATION	WEST BRIDGE APPROACH SLAB DETAILS STRUCTURE NUMBER 025-6010	F.A.I. RTE. =	SECTION	COUNTY	TOTAL SHEETS	SHEET NO.
BERNARDIN * LOOMIS & ASSOCIATES, INC. 3 OAK DRIVE MARYVILLE, ILLINOIS 62452 PHONE (618) 288-4666 FAX (618) 288-4666	Illinois Design Firm Number 184.001670	CHECKED - ACS	REVISED -			57/70	(25-3)PB	EFFINGHAM	1098	384
	PLOT SCALE =	DRAWN - WJS	REVISED -			SN 025-6010		CONTRACT NO. 74299		
	PLOT DATE = 7:42:48 AM 5/6/2011	CHECKED - CJF	REVISED -			SHEET NO. 15 OF 46 SHEETS		FED. ROAD DIST. NO. 7 ILLINOIS FED. AID PROJECT		