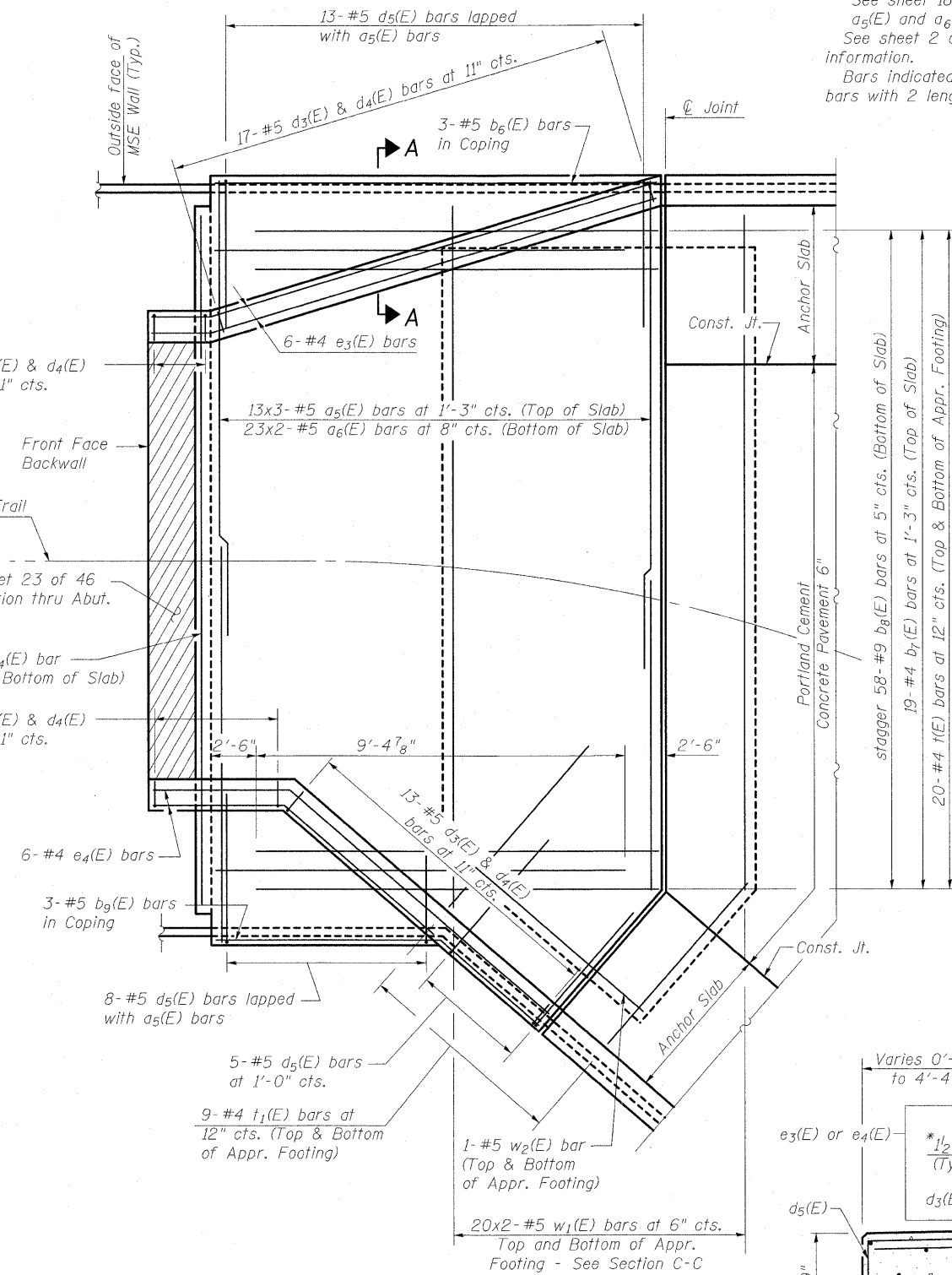


EAST APPROACH SLAB
(showing dimensions)



3- #5 d₃(E) & d₄(E) bars at 11" cts.
 Front Face Backwall
 See sheet 23 of 46 for Section thru Abut.
 1- #5 a₄(E) bar (Top & Bottom of Slab)
 6- #5 d₃(E) & d₄(E) bars at 11" cts.

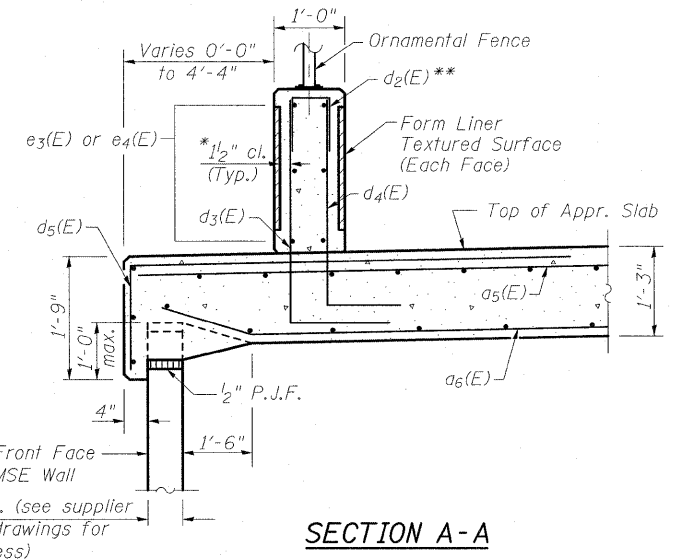


EAST APPROACH SLAB
(showing reinforcement)

*Clear distance taken from inner-most edge of form liner.
 **Place 2-d₂(E) bars at each Bridge Decorative Fence Railing post

Notes:
 See sheet 18 of 46 for Sections B-B & C-C and View D-D. a₅(E) and a₆(E) bar spacings measured along ϕ Bike Trail. See sheet 2 of 46 for Bike Trail horizontal curve information.
 Bars indicated thus 20x2-#5 etc. indicates 20 lines of #5 bars with 2 lengths per line.

MIN. BAR LAP
#5 bars = 2'-6"



SECTION A-A

FILE NAME = ...0774299-0256010-st017.dgn	USER NAME =	DESIGNED - BB	REVISED -	STATE OF ILLINOIS DEPARTMENT OF TRANSPORTATION	EAST BRIDGE APPROACH SLAB DETAILS STRUCTURE NUMBER 025-6010	F.A.I. RTE.	SECTION	COUNTY	TOTAL SHEETS	SHEET NO.
BERNARDIN LOCKMULLER & ASSOCIATES, INC. 3 OAK DRIVE MARYVILLE, ILLINOIS 62455 PHONE (618) 288-6666 FAX (618) 288-6666	Illinois Design Firm Number 184.001670	CHECKED - ACS	REVISED -			57/70	(25-3)PB	EFFINGHAM	1098	386
PLOT SCALE =	DRAWN - WJS	REVISED -	REVISED -			SN 025-6010		CONTRACT NO. 74299		
PLOT DATE = 7:43:22 AM 5/6/2011	CHECKED - CJF	REVISED -	REVISED -			SHEET NO. 17 OF 46 SHEETS		FED. ROAD DIST. NO. 7 ILLINOIS FED. AID PROJECT		