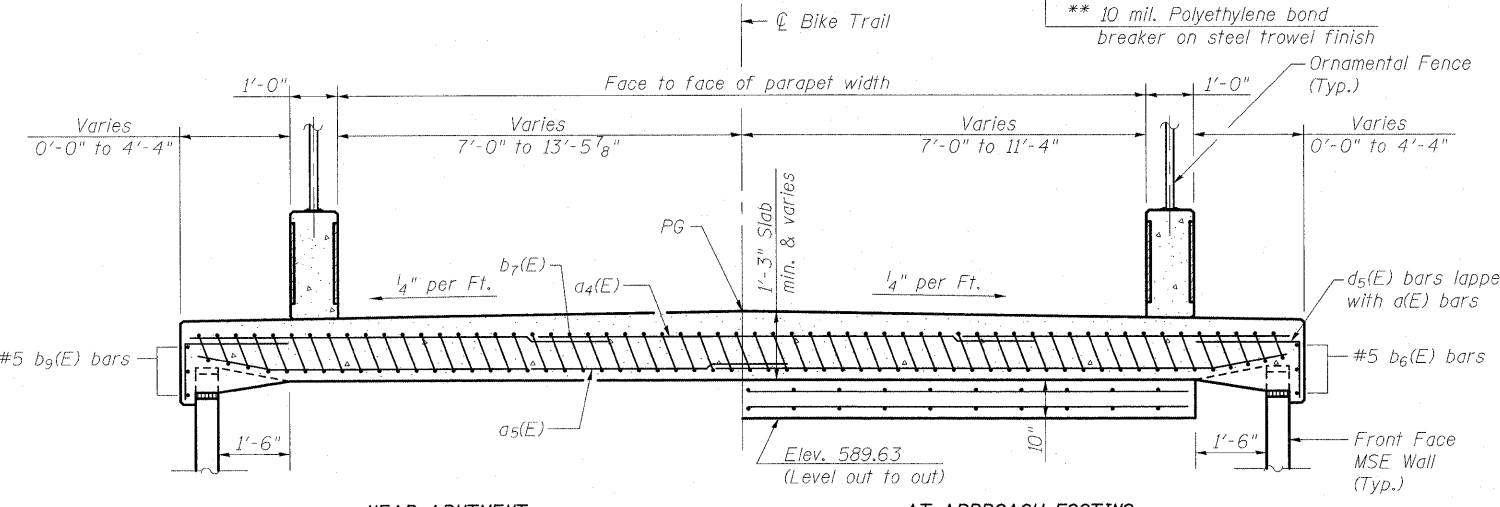
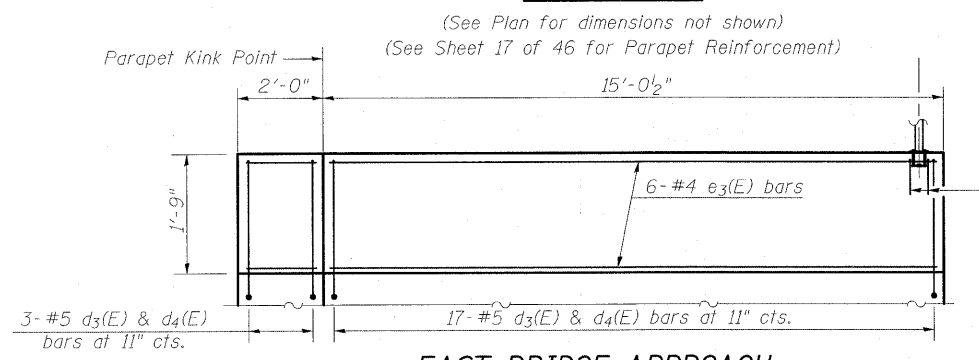


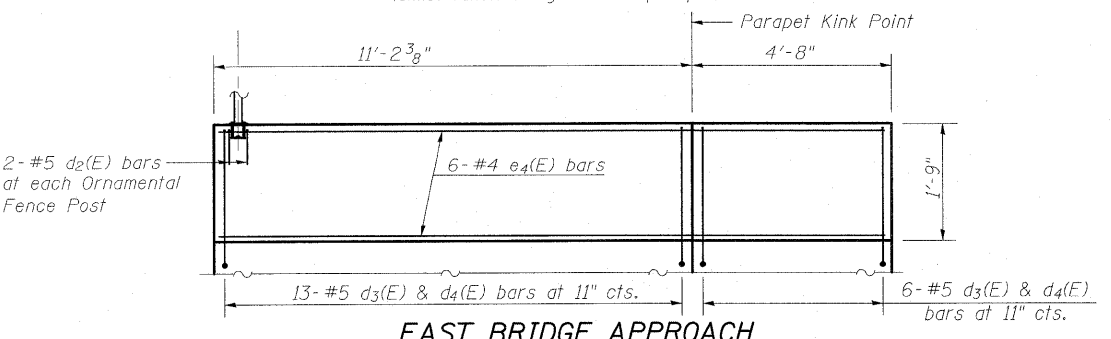
**SECTION B-B**



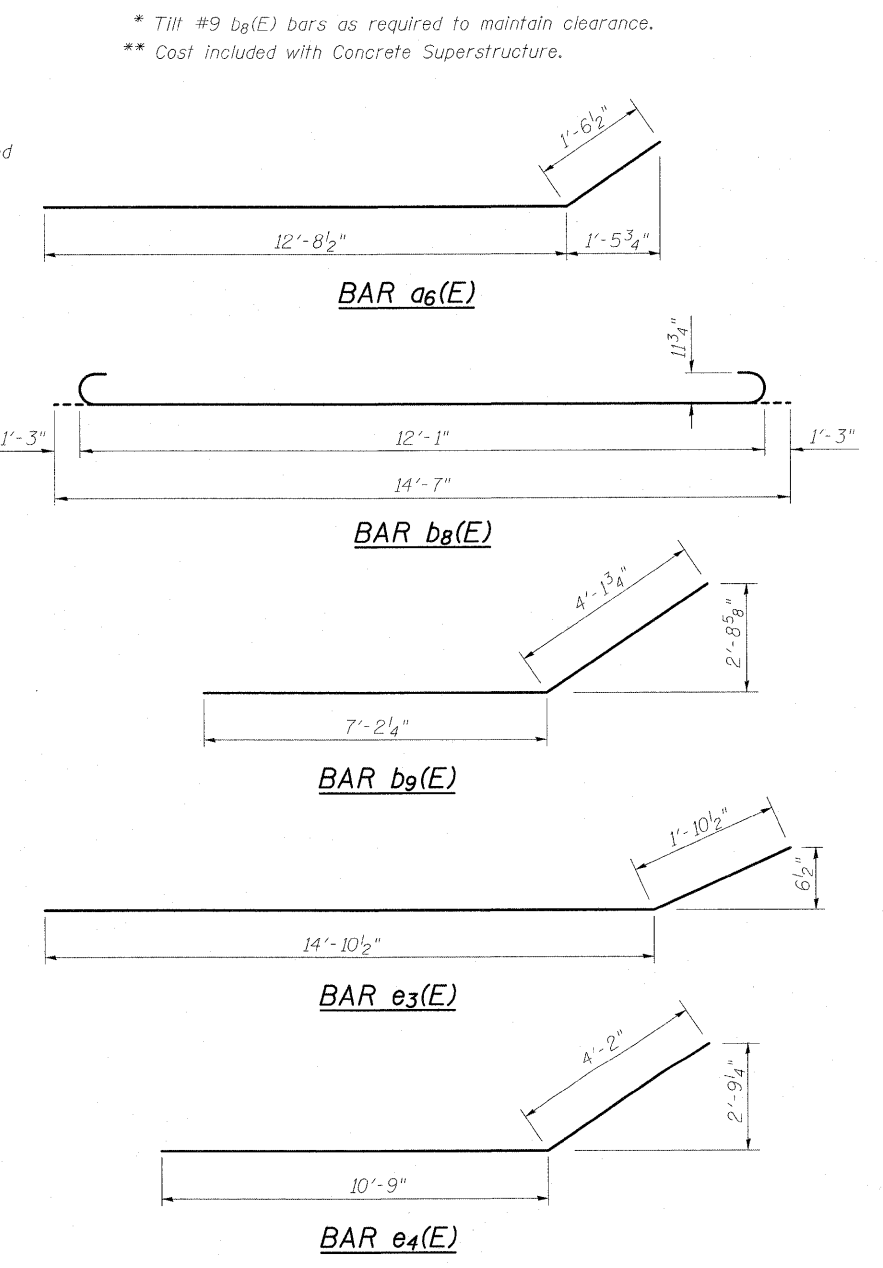
**SECTION C-C**



**EAST BRIDGE APPROACH PARAPET ELEVATION**  
(Showing North Parapet)



**EAST BRIDGE APPROACH PARAPET ELEVATION**  
(Showing South Parapet)



Notes:  
 See sheet 16 of 46 for Detail A.  
 Approach slab and parapet concrete shall be paid for as Concrete Superstructure.  
 Approach footing concrete shall be paid for as Concrete Structures.  
 Reinforcement shall be paid for as Reinforcement Bars, Epoxy Coated.  
 For v3(E) bar details, see sheet 22 of 46.  
 The approach footing maximum applied service bearing pressure (Qmax) = 2.0 ksf.  
 For bar splicer details, see sheet 41 of 46.  
 For Preformed Joint Seal details see sheet 14 of 46.  
 For d2(E) bar details, see sheet 8 of 46.  
 For d3(E), d4(E) and d5(E) bar details, see sheet 16 of 46.

\* Tilt #9 b8(E) bars as required to maintain clearance.  
 \*\* Cost included with Concrete Superstructure.

**EAST APPROACH BILL OF MATERIAL**

Bar	No.	Size	Length	Shape
a4(E)	2	#5	22'-5"	—
a5(E)	39	#5	10'-9"	—
a6(E)	46	#5	14'-3"	—
b6(E)	3	#5	14'-1"	—
b7(E)	19	#4	14'-8"	—
b8(E)	58	#9	14'-7"	—
b9(E)	3	#5	11'-4"	—
d2(E)	18	#5	1'-11"	□
d3(E)	39	#5	4'-0"	—
d4(E)	39	#5	3'-2"	—
d5(E)	26	#5	4'-0"	—
e3(E)	6	#4	16'-9"	—
e4(E)	6	#4	14'-11"	—
t(E)	40	#4	9'-9"	—
t1(E)	18	#4	6'-4"	—
w1(E)	80	#5	13'-7"	—
w2(E)	2	#5	8'-1"	—
Concrete Superstructure		Cu. Yd.	21.7	
Concrete Structures		Cu. Yd.	6.9	
Reinforcement Bars, Epoxy Coated		Pound	6360	
Form Liner Textured Surface		Sq. Ft.	78.0	