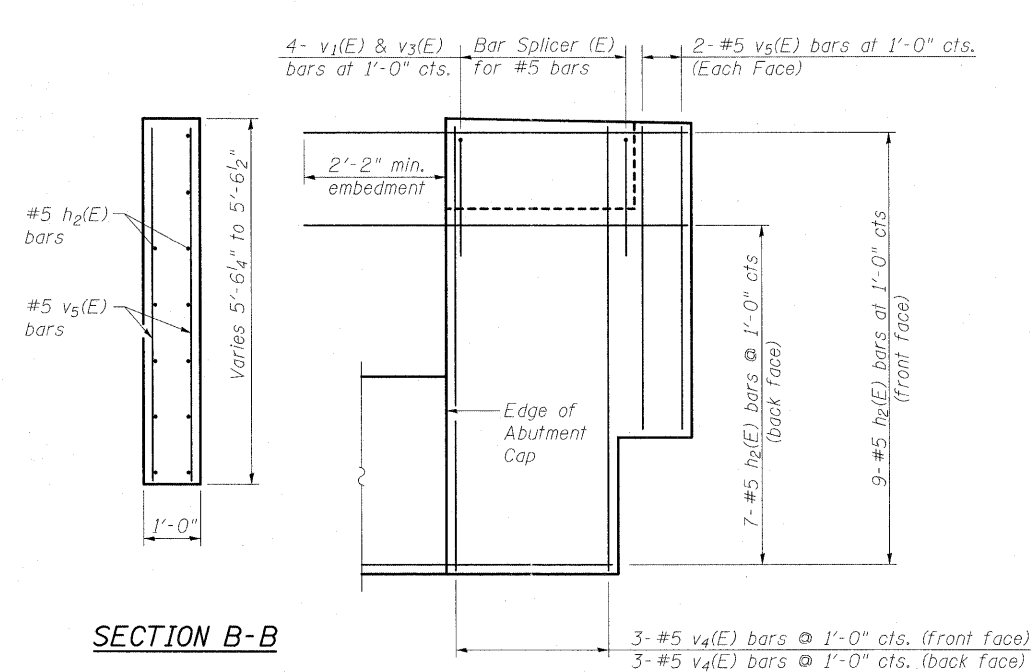


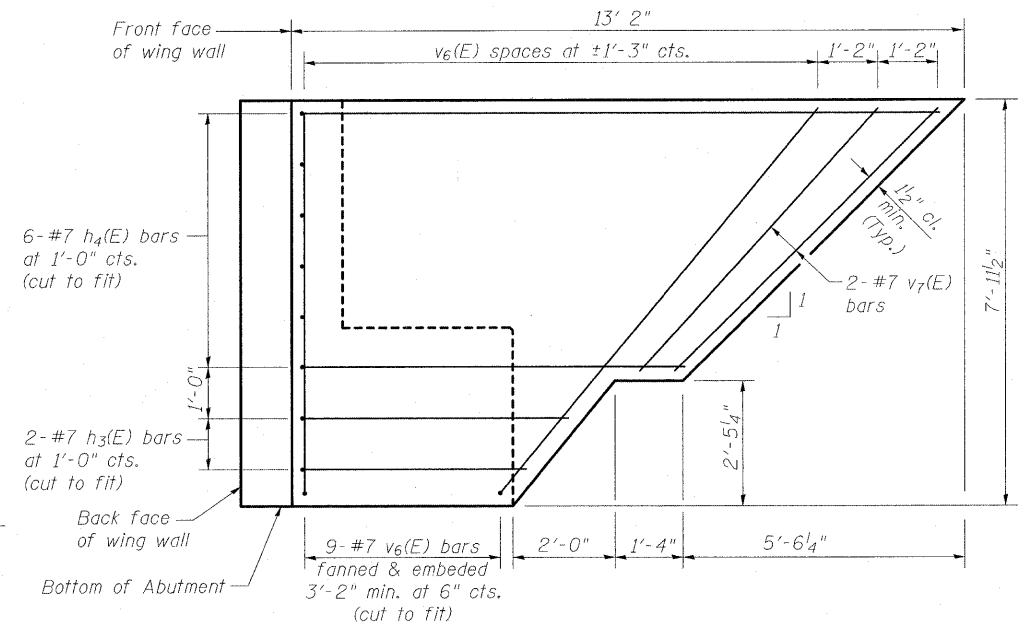
SECTION A-A

WING WALL ELEVATION
Showing Dimensions



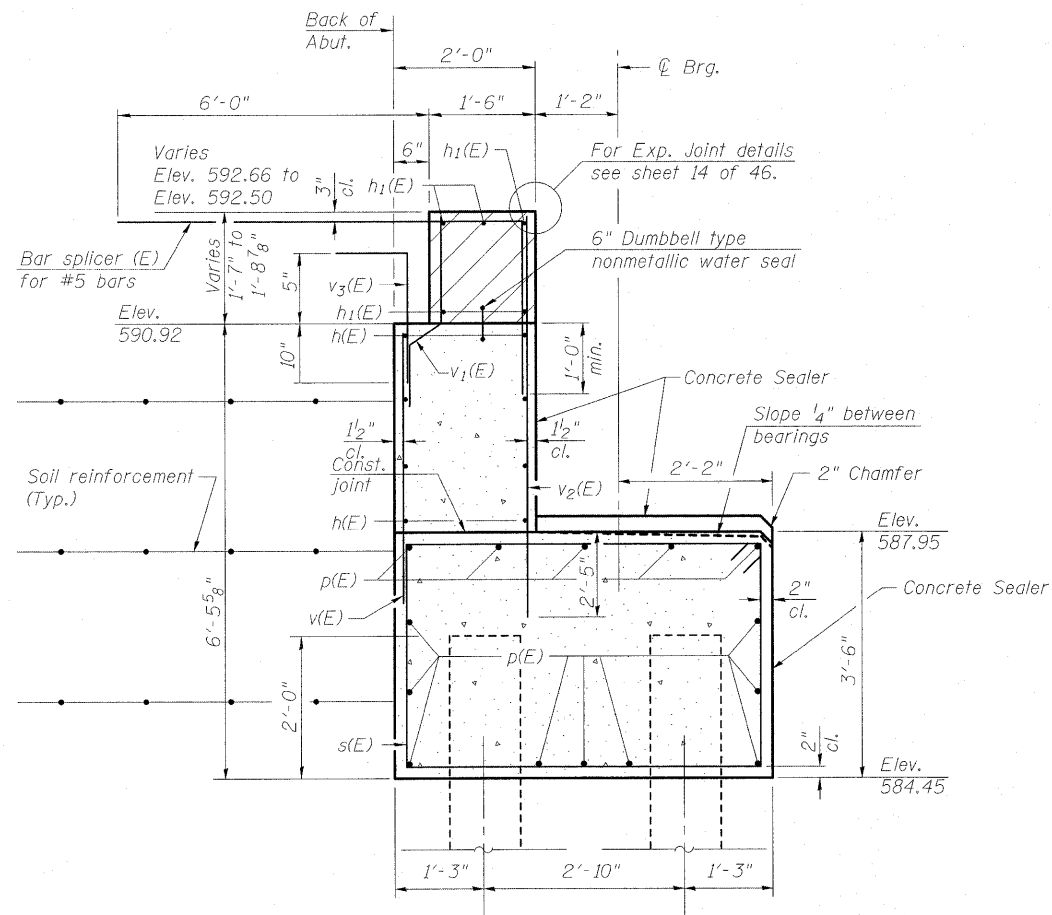
SECTION B-B

WING WALL ELEVATION
Showing Reinforcement

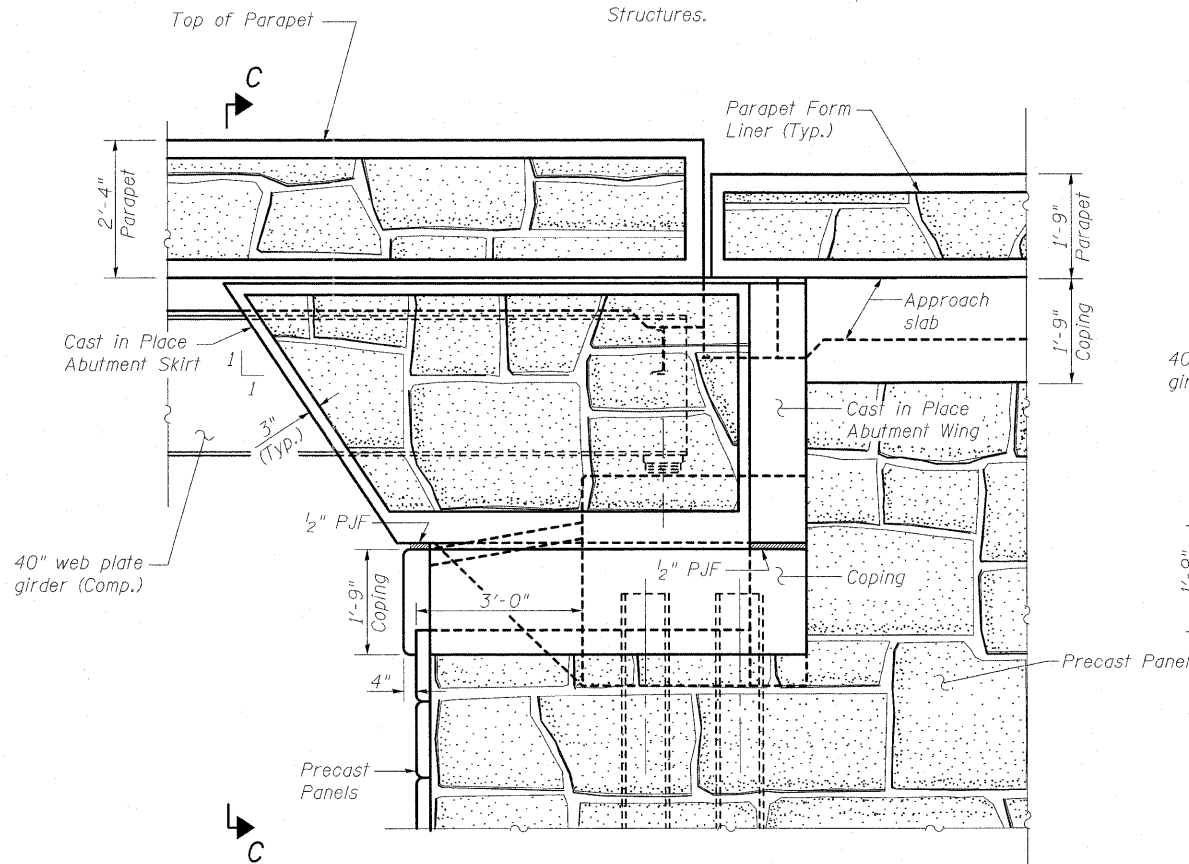


ELEVATION ABUTMENT SKIRT DETAILS

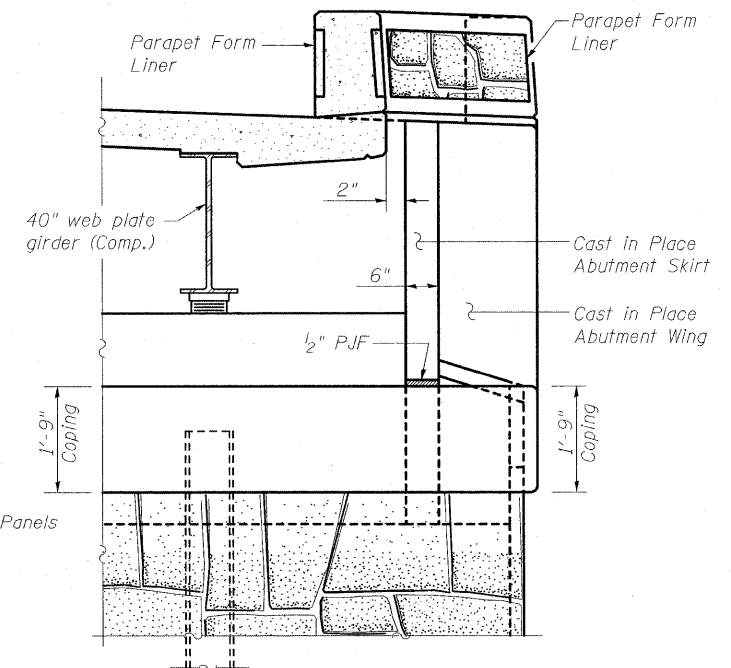
Notes:
Hatched area to be poured after superstructure false work has been removed. Quantity of concrete included with Concrete Superstructure.
Space reinforcement in cap to miss anchor bolts.
Pour steps monolithically with cap.
Order $h_3(E)$, $h_4(E)$, $v_6(E)$ & $v_7(E)$ bars full length. Cut to fit in field.
Abutment Skirt shall be paid for as Concrete Structures.



SECTION THRU ABUT.



CAST IN PLACE ABUTMENT SKIRT



VIEW C-C