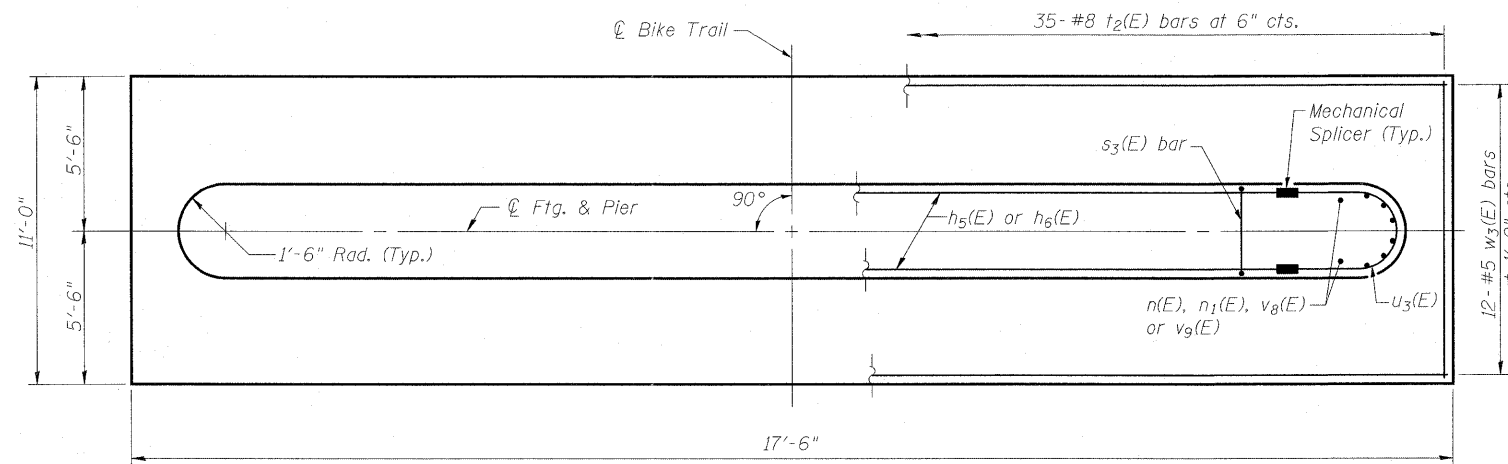
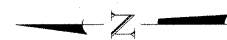


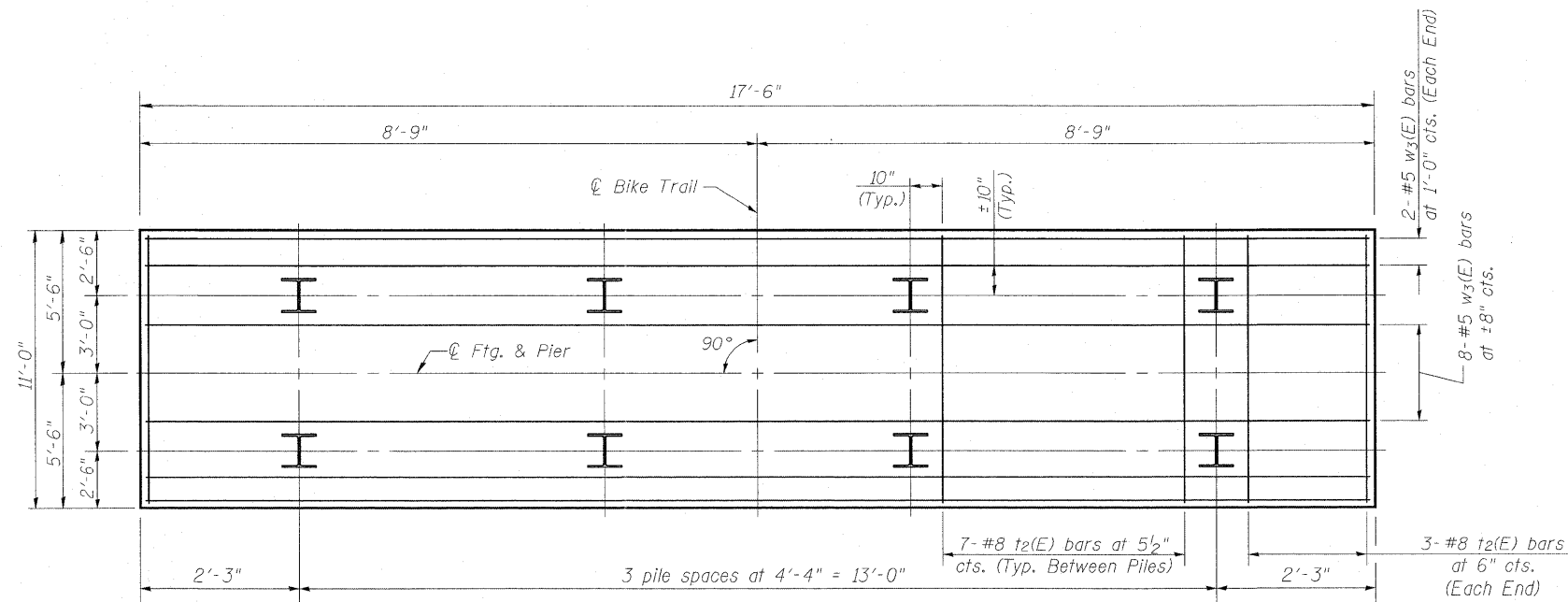
Notes:  
 Space  $t_2(E)$  and  $w_3(E)$  bars to miss piles.  
 For details of piles see sheet 42 of 46.  
 See sheet 24 of 46 for Bar Bend Details and Bill of Materials.  
 The placement of piles shall be according to  
 Guide Bridge Special Provision "Setting Piles in Rock."  
 See End View on sheet 24 of 46 for limits of Concrete Encasement.

**PILE DATA**

Type: HP 14x73  
 Factored Resistance Available: 318k  
 Est. Length: 17'-0"  
 No. Production Piles: 8  
 Est. Top of Rock: 555.00  
 Rock Socket Depth: 5'-0"  
 Rock Socket Diameter: 2'-0"  
 Nominal Required Bearing: Set in Rock



**FOOTING PLAN**  
 (Showing Top Reinforcement)



**FOOTING PLAN**  
 (Showing Bottom Reinforcement)

FILE NAME = \_D774299-0256010-stn025.dgn  
 USER NAME =  
 BERNARDINI LOCHMULLER & ASSOCIATES, INC.  
 3 OAK DRIVE  
 MARYVILLE, IL 62952  
 PHONE (618) 338-4662  
 FAX (618) 338-4668

DESIGNED - BB  
 CHECKED - ACS  
 DRAWN - WJS  
 CHECKED - CJF

REVISI...  
 REVISI...  
 REVISI...  
 REVISI...

DESIGNED - BB  
 CHECKED - ACS  
 DRAWN - WJS  
 CHECKED - CJF

STATE OF ILLINOIS  
 DEPARTMENT OF TRANSPORTATION

PIER DETAILS  
 STRUCTURE NUMBER 025-6010  
 SHEET NO. 25 OF 46 SHEETS

F.A.I. RTE.	SECTION	COUNTY	TOTAL SHEETS	SHEET NO.
57/70	(25-3)PB	EFFINGHAM	1098	394
SN 025-6010			CONTRACT NO. 74299	
FED. ROAD DIST. NO. 7 ILLINOIS FED. AID PROJECT				