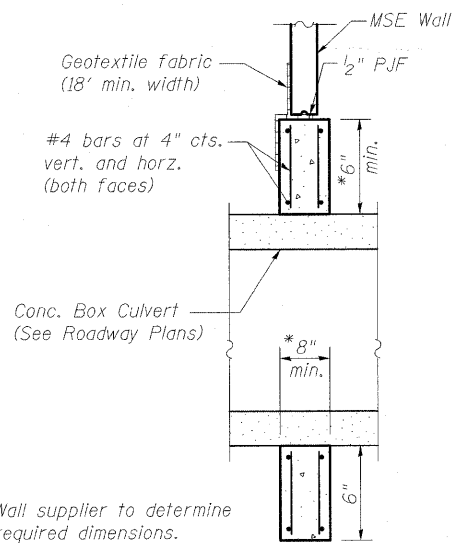


DETAIL A

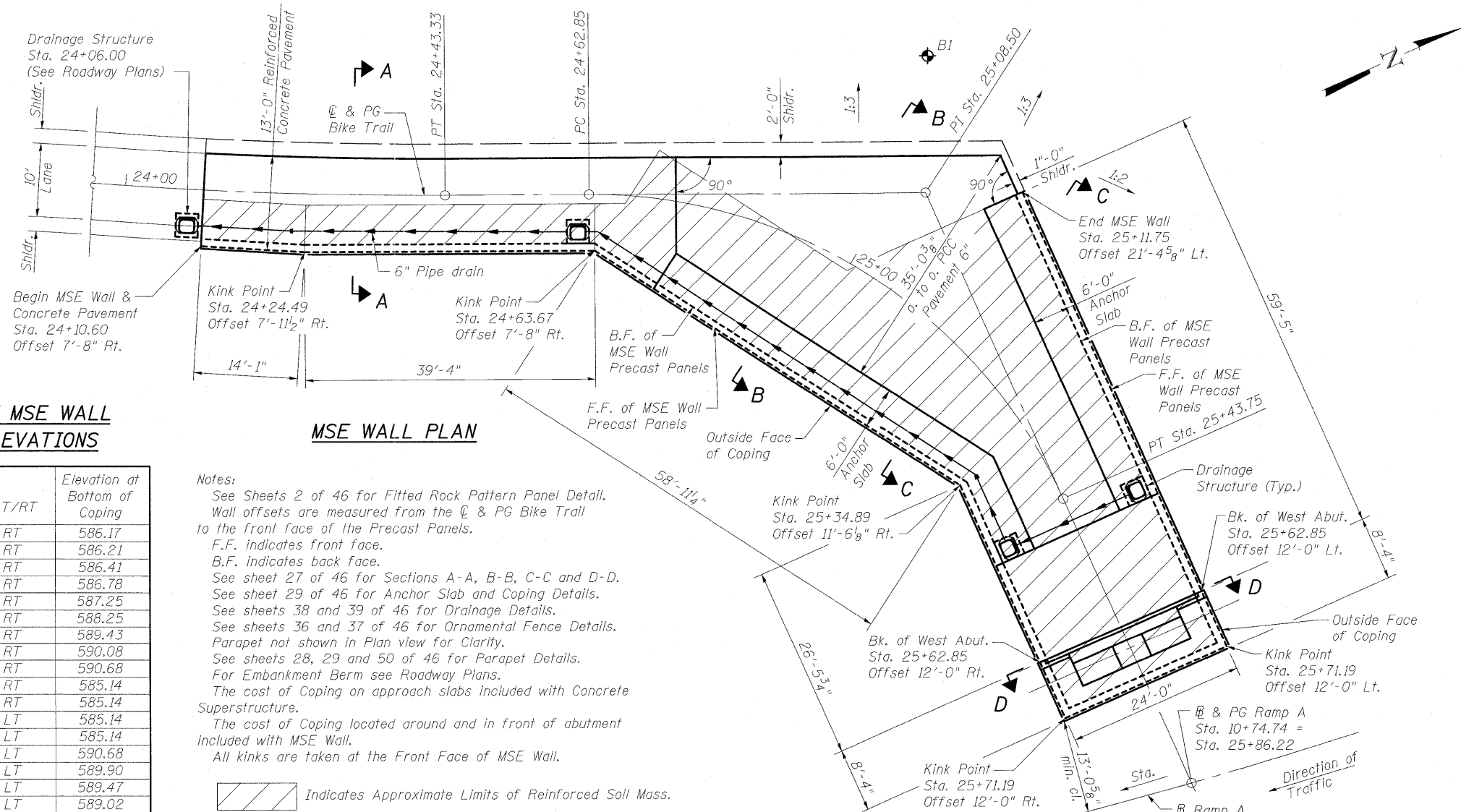


SECTION E-E

**WEST APPROACH MSE WALL
ADDITIONAL ELEVATIONS**

Station	Offset to Face of Panel	LT/RT	Elevation at Bottom of Coping
24+10.60	7.67	RT	586.17
24+24.49	7.97	RT	586.21
24+43.91	7.67	RT	586.41
24+63.67	7.67	RT	586.78
24+85.36	15.61	RT	587.25
25+11.06	17.06	RT	588.25
25+34.89	11.53	RT	589.43
25+49.61	12.00	RT	590.08
25+62.85	12.00	RT	590.68
25+62.85	12.00	RT	585.14
25+71.19	12.00	RT	585.14
25+71.19	12.00	LT	585.14
25+62.85	12.00	LT	585.14
25+62.85	12.00	LT	590.68
25+43.14	12.00	LT	589.90
25+26.58	14.53	LT	589.47
25+11.75	21.38	LT	589.02

MSE WALL PLAN



Notes:
 See Sheets 2 of 46 for Fitted Rock Pattern Panel Detail.
 Wall offsets are measured from the \varnothing & PG Bike Trail to the front face of the Precast Panels.
 F.F. indicates front face.
 B.F. indicates back face.
 See sheet 27 of 46 for Sections A-A, B-B, C-C and D-D.
 See sheet 29 of 46 for Anchor Slab and Coping Details.
 See sheets 38 and 39 of 46 for Drainage Details.
 See sheets 36 and 37 of 46 for Ornamental Fence Details.
 Parapet not shown in Plan view for Clarity.
 See sheets 28, 29 and 50 of 46 for Parapet Details.
 For Embankment Berm see Roadway Plans.
 The cost of Coping on approach slabs included with Concrete Superstructure.
 The cost of Coping located around and in front of abutment included with MSE Wall.
 All kinks are taken at the Front Face of MSE Wall.

Indicates Approximate Limits of Reinforced Soil Mass.

FILE NAME = J0774299-0256010-sh026.dgn

USER NAME =

DESIGNED - BB

REVISED -

**STATE OF ILLINOIS
DEPARTMENT OF TRANSPORTATION**

**WEST MSE WALL DETAILS
STRUCTURE NUMBER 025-6010**

F.A.T. RTE.	SECTION	COUNTY	TOTAL SHEETS	SHEET NO.
57/70	(25-3)PB	EFFINGHAM	1098	395
SN 025-6010			CONTRACT NO. 74299	
FED. ROAD DIST. NO. 7 ILLINOIS FED. AID PROJECT				

SHEET NO. 26 OF 46 SHEETS