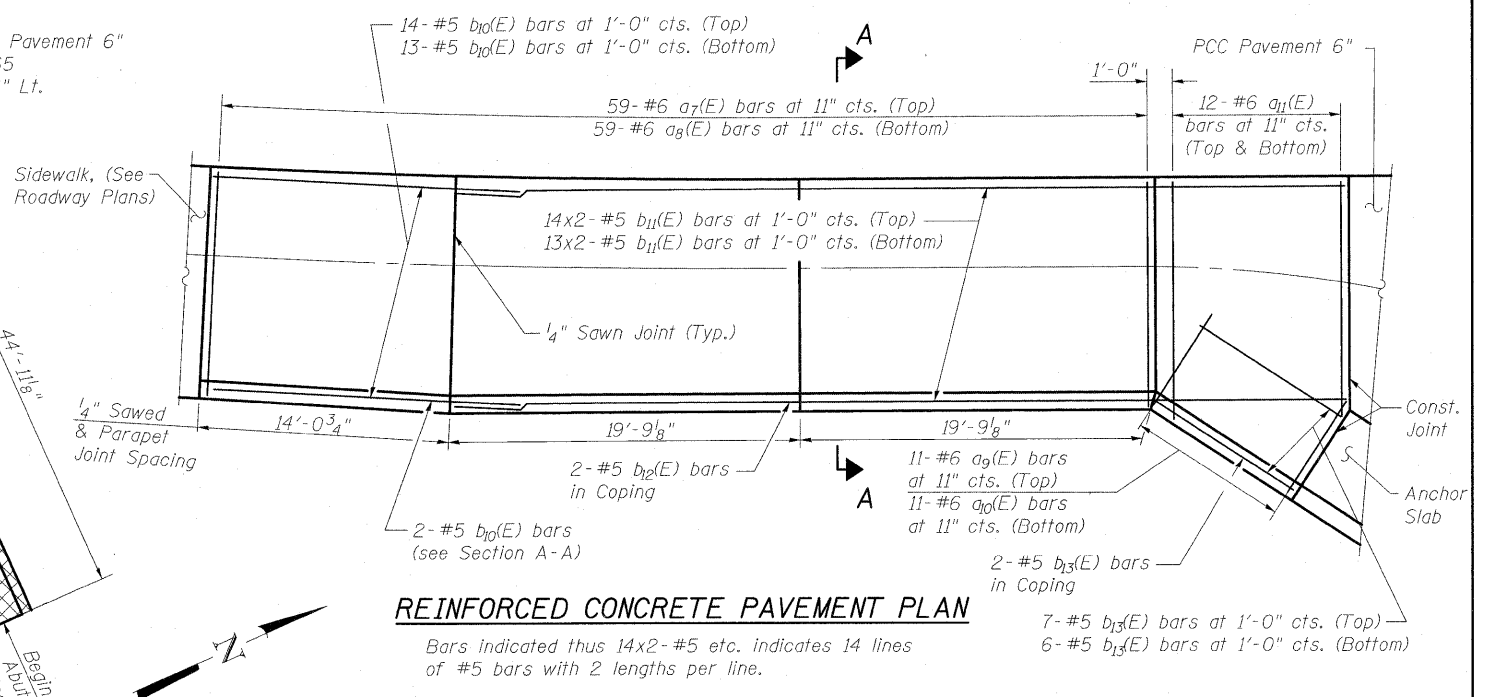
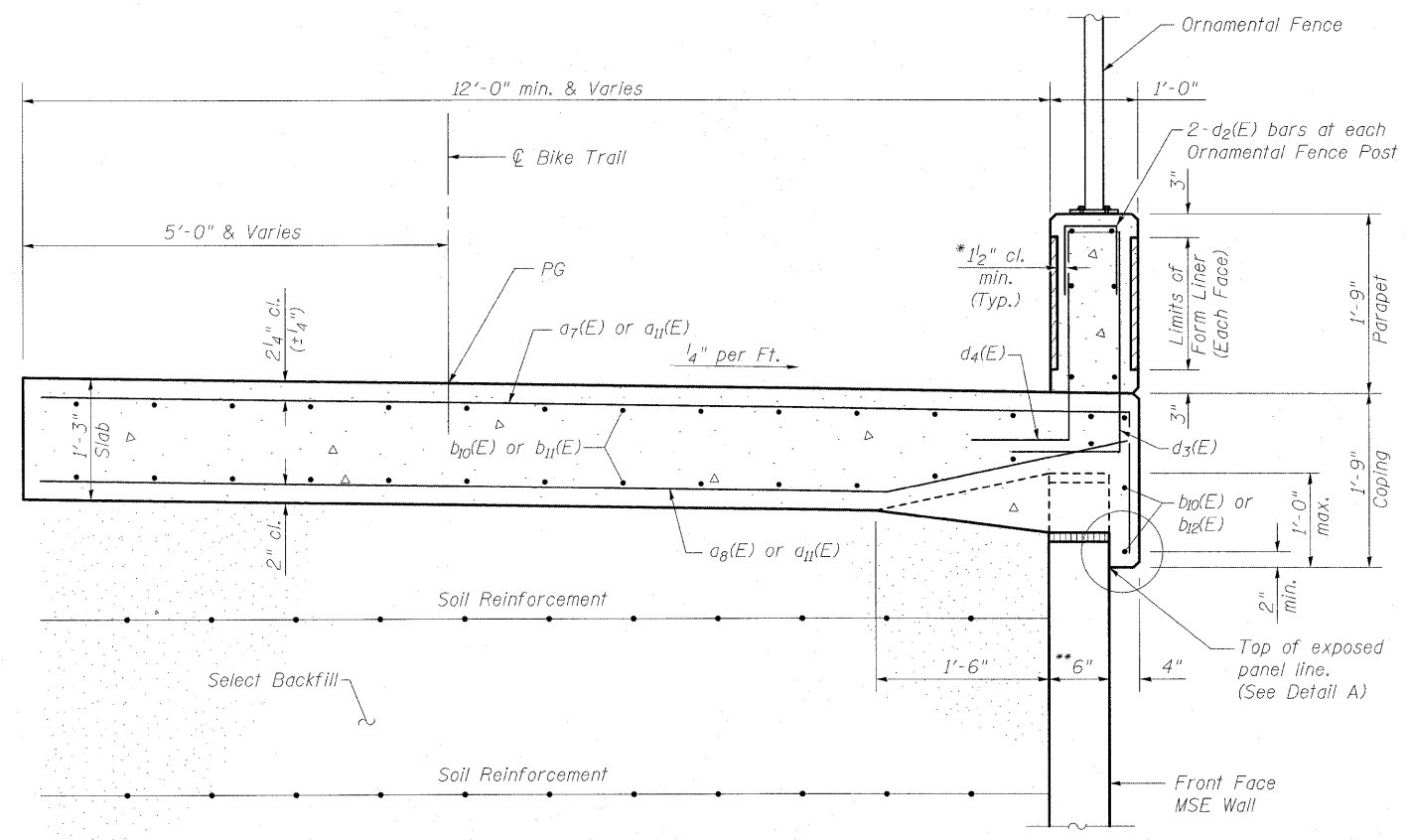


WEST APPROACH PLAN



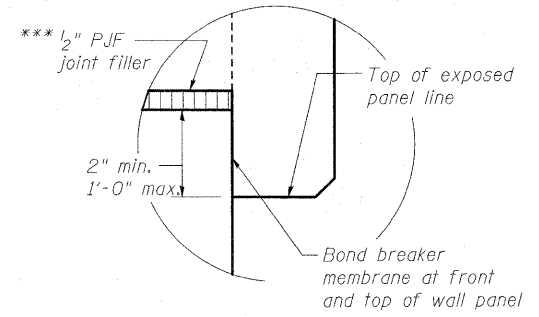
REINFORCED CONCRETE PAVEMENT PLAN



SECTION A-A

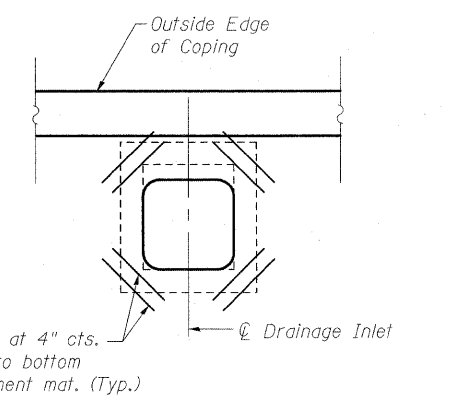
Sta. 24+10.60 to Sta. 24+63.67

* Minimum clearance from inner most surface of Form Liner.
 ** Varies per MSE Wall supplier

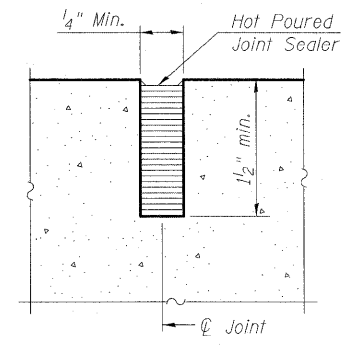


DETAIL A

MIN. BAR LAP
 #5 Bar = 2'-6"



DETAIL AT DRAINAGE STRUCTURES



SAWED CONTRACTION JOINT DETAIL

Joints shall be included in cost of Concrete Superstructure.

| | | | | | | | | | | |
|--|--|---------------|-----------|---|---|---|--------------------|------------------|-------------------|---------------|
| FILE NAME = ...0774299-0256010-st1028.dgn | USER NAME = | DESIGNED - BB | REVISED - | STATE OF ILLINOIS DEPARTMENT OF TRANSPORTATION | WEST APPROACH PAVEMENT DETAILS STRUCTURE NUMBER 025-6010 | F.A.I. RTE. 57/70 | SECTION (25-3)PB | COUNTY EFFINGHAM | TOTAL SHEETS 1098 | SHEET NO. 397 |
| BERNARDINI LOCKMILLER & ASSOCIATES, INC. 3 OAK DRIVE MARYVILLE, ILLINOIS 62422 PHONE (618) 288-6688 FAX (618) 288-6686 | Illinois Design Firm Number 184.001670 | CHECKED - ACS | REVISED - | | | SN 025-6010 | CONTRACT NO. 74299 | | | |
| | PLOT SCALE = | DRAWN - WJS | REVISED - | | | SHEET NO. 28 OF 46 SHEETS | | | | |
| | PLOT DATE = 7:46:46 AM 5/6/2011 | CHECKED - CJF | REVISED - | | | FED. ROAD DIST. NO. 7 ILLINOIS FED. AID PROJECT | | | | |