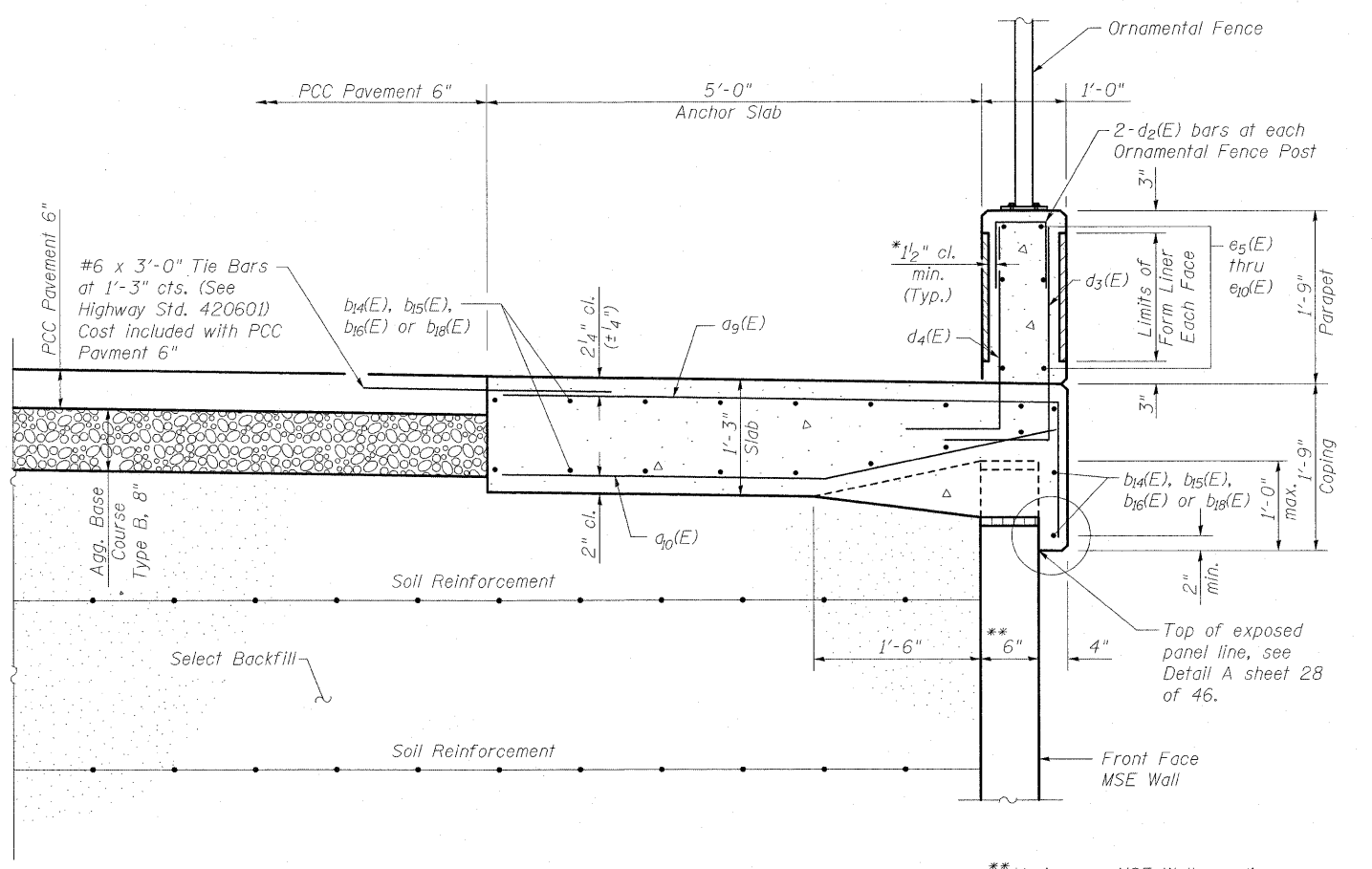


WEST APPROACH ANCHOR SLAB DETAILS

MIN. BAR LAP
#5 Bar = 2'-6"

Notes:
Parapet reinforcement not shown for clarity. See sheet 2 of 46 for Form Liner Details. See sheets 38 and 39 of 46 for Drain Inlet Spacing & Reinforcement.
*Minimum clearance from inner most surface of Form Liner. See sheet 28 of 46 for Sawed Joint Details. See sheet 28 of 46 for PCC Pavement 6" Plan Dimensions.



SECTION A-A

Sta. 24+73.25 to Sta. 25+48.35

**Varies per MSE Wall supplier

FILE NAME = ...0774299-0256010-st029.dgn	USER NAME =	DESIGNED - BB	REVISED -	STATE OF ILLINOIS DEPARTMENT OF TRANSPORTATION	WEST APPROACH ANCHOR SLAB DETAILS STRUCTURE NUMBER 025-6010	F.A.I. RTE.	SECTION	COUNTY	TOTAL SHEETS	SHEET NO.
BERNARDINI LOCHMILLER & ASSOCIATES, INC. 3 OAK DRIVE MARYVILLE, ILLINOIS 62438 PHONE (618) 284-6000 FAX (618) 284-6066	Illinois Design Firm Number 184.001670	CHECKED - ACS	REVISED -			57/70	(25-3)PB	EFFINGHAM	1098	398
PLOT SCALE =	DRAWN - WJS	REVISED -	REVISED -			SN 025-6010		CONTRACT NO. 74299		
PLOT DATE = 7:46:58 AM 5/6/2011	CHECKED - CJF	REVISED -	REVISED -			SHEET NO. 29 OF 46 SHEETS		FED. ROAD DIST. NO. 7 ILLINOIS FED. AID PROJECT		