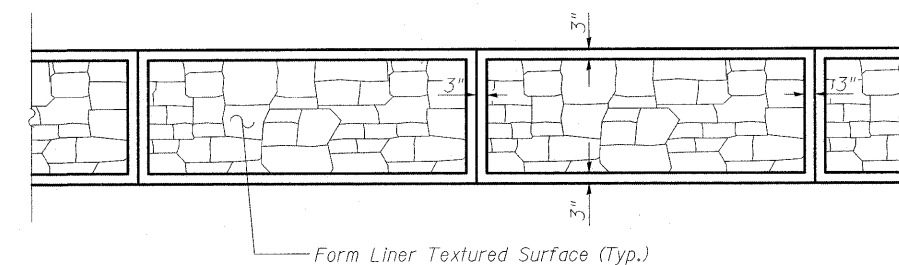


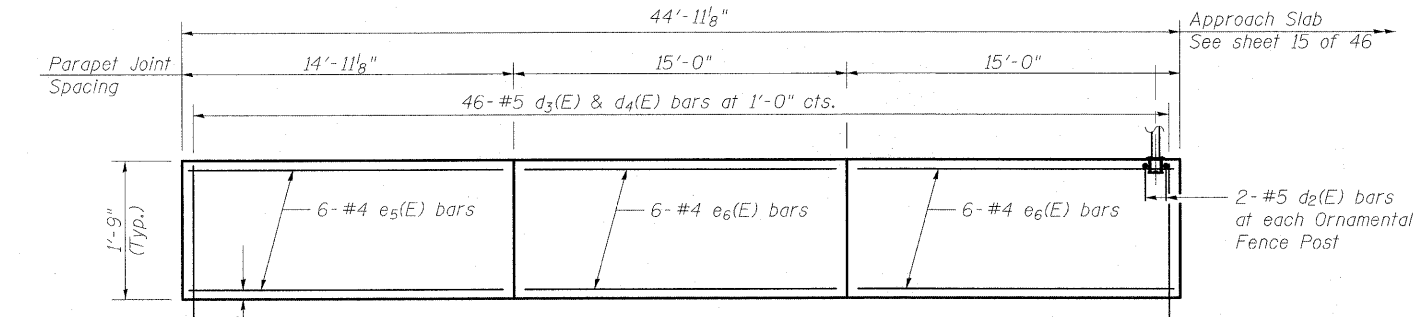
**ELEVATION OF PARAPET**

Right Parapet inside Elevation  
Sta. 24+63.88 to Sta. 25+48.35



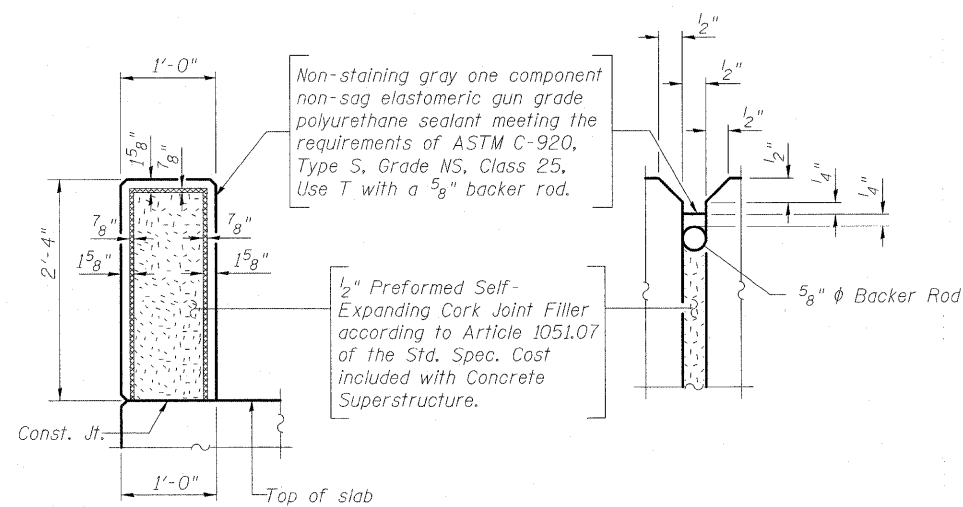
**FORM LINER TEXTURED SURFACE APPLICATION**

(Each Face)  
See sheet 2 of 46 for Form Liner Textured Surface Details.



**ELEVATION OF PARAPET**

Left Parapet inside Elevation  
Sta. 25+11.87 to Sta. 25+48.35

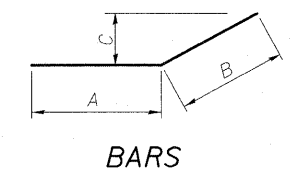


**PARAPET JOINT DETAILS**

Note:  
Dimensions shown are taken along inside face of parapet.

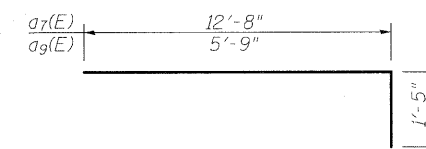
**WEST APPROACH BILL OF MATERIAL**

Bar No.	Size	Length	Shape
a7(E)	59	#6	14'-1"
a8(E)	59	#6	12'-8"
a9(E)	129	#6	7'-2"
a10(E)	129	#6	5'-9"
a11(E)	24	#6	12'-10"
a2(E)	24	#5	1'-6"
b10(E)	29	#5	13'-10"
b11(E)	54	#5	26'-5"
b12(E)	2	#5	39'-5"
b13(E)	15	#5	9'-2"
b14(E)	15	#5	44'-8"
b15(E)	15	#5	44'-2"
b16(E)	15	#5	6'-5"
b17(E)	15	#5	5'-0"
b18(E)	15	#5	13'-5"
d2(E)	52	#5	1'-11"
d3(E)	172	#5	4'-0"
d4(E)	172	#5	3'-2"
e5(E)	6	#4	14'-8"
e6(E)	24	#4	14'-9"
e7(E)	6	#4	11'-7"
e8(E)	6	#4	6'-8"
e9(E)	6	#4	14'-2"
e10(E)	6	#4	11'-3"
e11(E)	12	#4	19'-6"
e12(E)	6	#4	13'-9"
Aggregate Base Cse. Type B, 8"	Sq. Yd.	170	
Concrete Superstructure	Cu. Yd.	84.7	
Form Liner Textured Surface	Sq. Ft.	410	
Reinforcement Bars, Epoxy Coated	Pound	11,360	
Mechanically Stabilized Earth Retaining Wall	Sq. Ft.	4150	
Structure Excavation	Cu. Yd.	455	
Portland Cement	Sq. Yd.	170	
Concrete Pavement 6"	Sq. Yd.	170	
Pavement Fabric	Sq. Yd.	170	

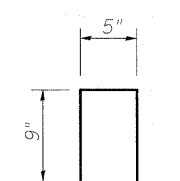


**BARS**

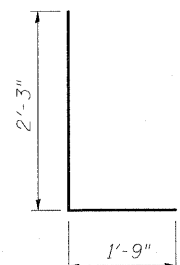
Bar	A	B	C
a8(E)	10'-3"	2'-5"	4 1/2"
a10(E)	3'-4"	2'-5"	4 1/2"
b17(E)	2'-6"	2'-6"	1'-4 3/8"
e8(E)	4'-8"	2'-0"	1'-1"
e10(E)	9'-3"	2'-0"	1'-1"



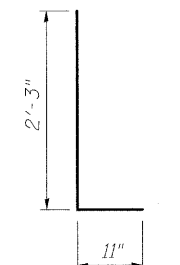
**BARS a7(E) & a9(E)**



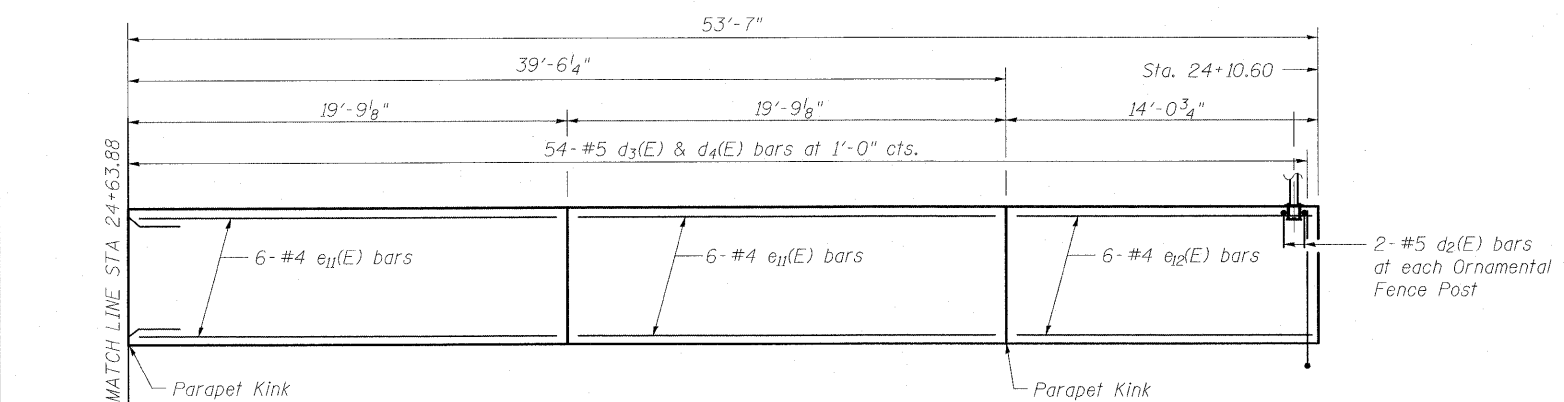
**BAR d2(E)**



**BAR d3(E)**



**BAR d4(E)**



**ELEVATION OF PARAPET**

Right Parapet inside Elevation  
Sta. 24+10.60 to Sta. 24+63.88