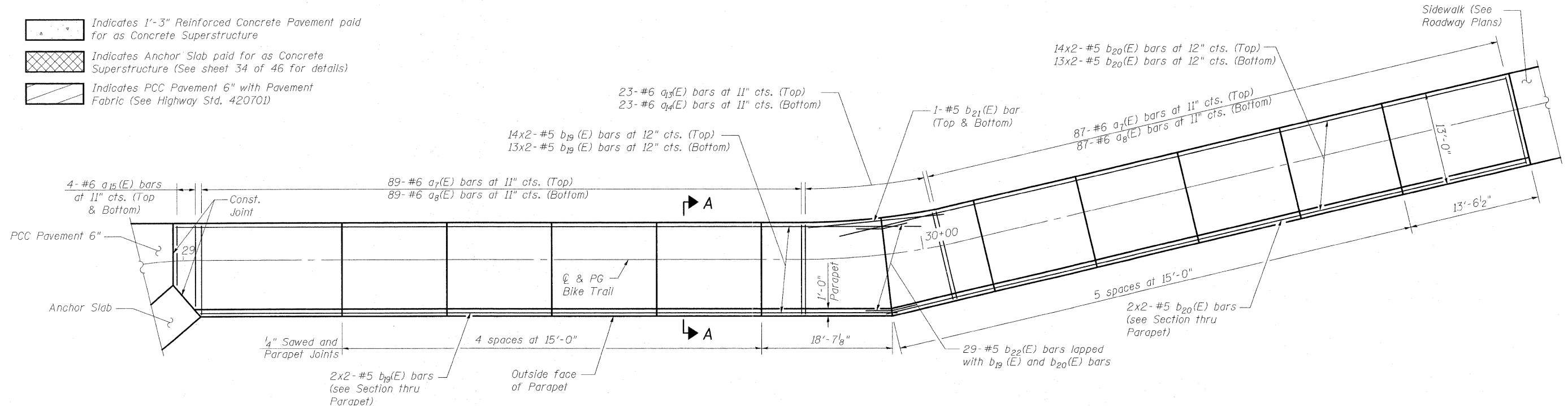


PLAN

MIN. BAR LAP
#5 bar = 2'-2"

Notes:
See sheet 34 of 46 for Section A-A.
For Sawn Construction Joint Details,
see sheet 28 of 46

- Indicates 1'-3" Reinforced Concrete Pavement paid for as Concrete Superstructure
- Indicates Anchor Slab paid for as Concrete Superstructure (See sheet 34 of 46 for details)
- Indicates PCC Pavement 6" with Pavement Fabric (See Highway Std. 420701)



REINFORCED CONCRETE PAVEMENT PLAN

FILE NAME = _0774299-0256010-stn033.dgn BERNARDINI LOCHMULLER & ASSOCIATES, INC. 304K DRIVE MARYVILLE, ILLINOIS 62428 PHONE (618) 258-4000 FAX (618) 258-4006	USER NAME = Illinois Design Firm Number 184.001670	DESIGNED - BB CHECKED - ACS DRAWN - WJS CHECKED - CJF	REVISED - REVISED - REVISED - REVISED -	STATE OF ILLINOIS DEPARTMENT OF TRANSPORTATION	EAST APPROACH PAVEMENT DETAILS STRUCTURE NUMBER 025-6010 SHEET NO. 33 OF 46 SHEETS	F.A.I. RTE. = 57/70	SECTION = (25-3)PB	COUNTY = EFFINGHAM	TOTAL SHEETS = 1098	SHEET NO. = 402
	PLOT SCALE = PLOT DATE = 7:47:49 AM 5/16/2011	SN 025-6010	CONTRACT NO. 74299			FED. ROAD DIST. NO. 7 ILLINOIS FED. AID PROJECT				