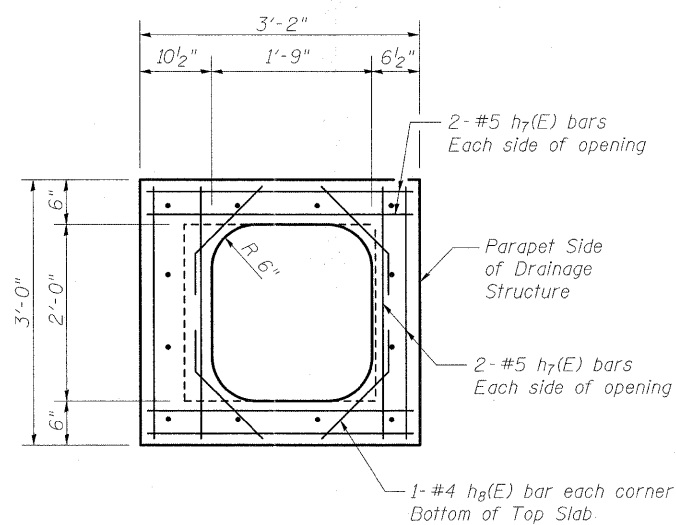
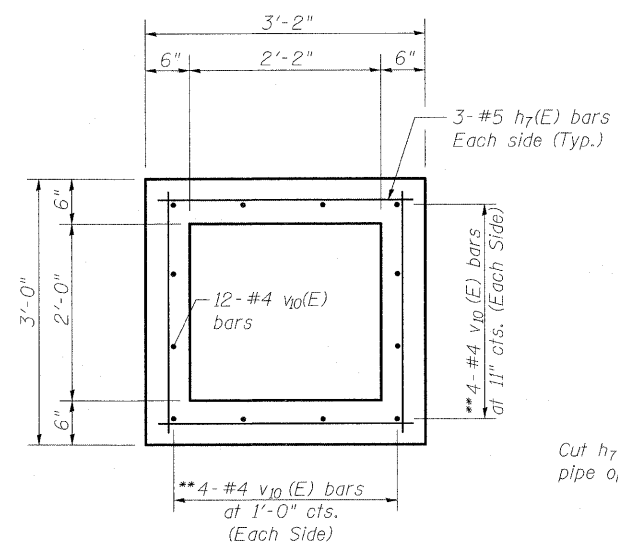


**PLAN**

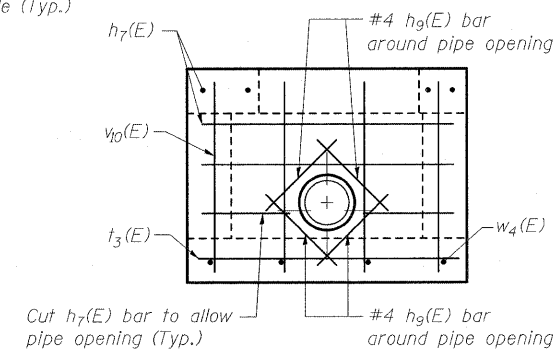


**REINFORCED LID FOR DRAINAGE STRUCTURES**

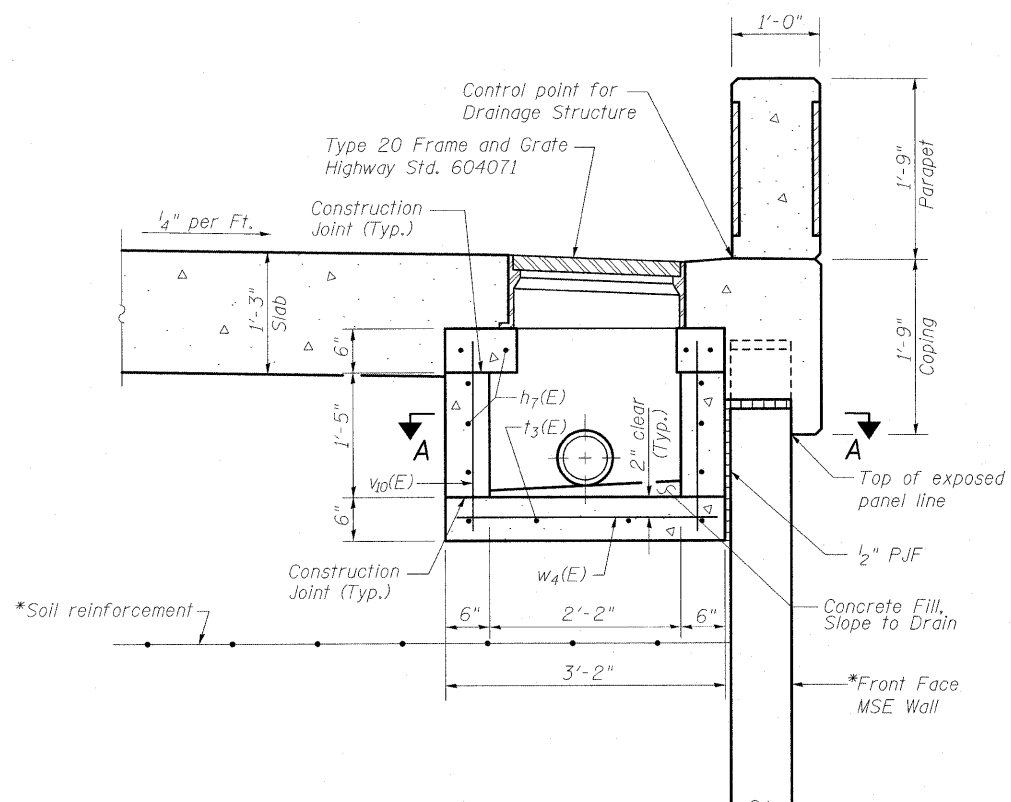


**SECTION A-A**

\*\* Space v10(E) bars to miss pipe openings.

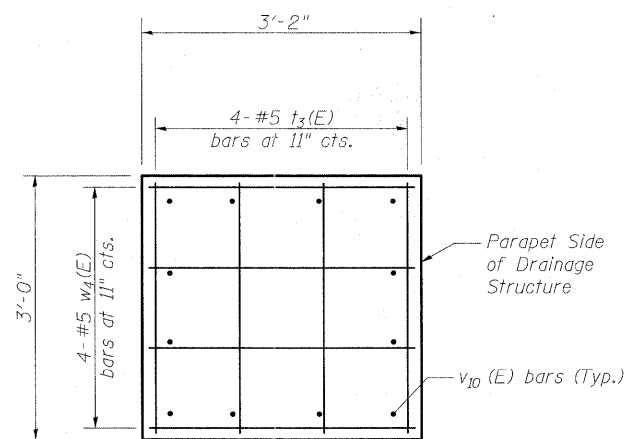


**REINFORCEMENT DETAIL AT PIPE OPENING**

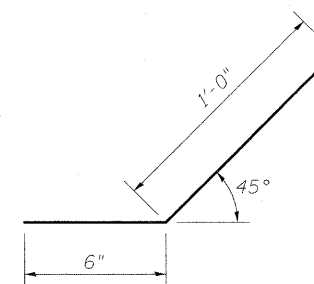


**SECTION THRU DRAINAGE STRUCTURE WITH TYPE 20 F & G**

\*MSE supplier to design load transfer system to MSE concrete pipe and drainage structure.



**REINFORCED BOTTOM FOR DRAINAGE STRUCTURES**



**BAR h8(E)**

Notes:  
See sheets 39 and 40 of 46 for Drain Structure layout and placement.  
See sheets 39 and 40 of 46 for Drain Pipe layout and orientation.

|  |  |               |           |   |   |                           |          |   |              |           |
|--|--|---------------|-----------|---|---|---------------------------|----------|---|--------------|-----------|
| FILE NAME = \D774299-0256010-str038.dgn  | USER NAME =                            | DESIGNED - BB | REVISED - | <b>STATE OF ILLINOIS<br/>DEPARTMENT OF TRANSPORTATION</b> | <b>DRAINAGE STRUCTURE DETAILS<br/>STRUCTURE NUMBER 025-6010</b> | F.A.I. RTE.               | SECTION  | COUNTY  | TOTAL SHEETS | SHEET NO. |
| BERNARDEN * LOOMIS & ASSOCIATES, INC.<br>3 OAK DRIVE<br>MARVILLE, ILLINOIS 62422<br>PHONE (618) 288-4666<br>FAX (618) 288-4666 | Illinois Design Firm Number 184.001670 | CHECKED - ACS | REVISED - |   |   | 57/70                     | (25-3)PB | EFFINGHAM                                       | 1098         | 407       |
| PLOT SCALE =   | DRAWN - WJS                            | REVISED -     | REVISED - |   |   | SN 025-6010               |          | CONTRACT NO. 74299                              |              |           |
| PLOT DATE = 7:46:54 AM 5/6/2011  | CHECKED - CJF                          | REVISED -     | REVISED - |   |   | SHEET NO. 38 OF 46 SHEETS |          | FED. ROAD DIST. NO. 7 ILLINOIS FED. AID PROJECT |              |           |