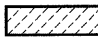
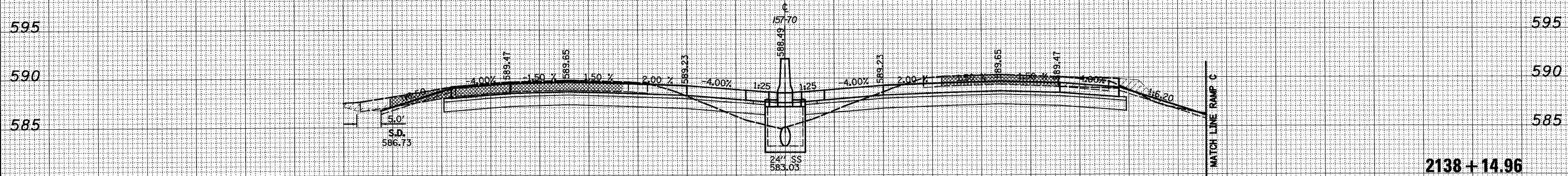


150 140 130 120 110 100 90 80 70 60 50 40 30 20 10 0 10 20 30 40 50 60 70 80 90 100 110 120 130 140 150

LEGEND
 - GRADING BY OTHERS

DATE	
BY	
SURVEYED	
PLOTTED	
TEMPLATE	
AREAS	
CHECKED	
NO.	

DATE	
BY	
ORIGINAL	
SURVEY	
PLOTTED	
TEMPLATE	
AREAS	
CHECKED	
NO.	



2138 + 14.96

150 140 130 120 110 100 90 80 70 60 50 40 30 20 10 0 10 20 30 40 50 60 70 80 90 100 110 120 130 140 150

FILE NAME - #13	USER NAME - #USER*	DESIGNED - JWS	REVISED -	STATE OF ILLINOIS DEPARTMENT OF TRANSPORTATION	CROSS SECTIONS FAI 57/70		F.A.I. RTE. 57/70	SECTION (25-3,4)R	COUNTY EFFINGHAM	TOTAL SHEETS 1098	SHEET NO. 451	
	PLOT SCALE - #SCALE*	DRAWN - LEC	REVISED -		SCALE: 1"=10'	SHEET NO. 25 OF 199 SHEETS	STA. 2138+14.96 TO STA. 2138+14.96	FED. ROAD DIST. NO.	ILLINOIS FED. AID PROJECT	CONTRACT NO. 74299		
	PLOT DATE - #DATE*	CHECKED - BRM	REVISED -									
		DATE - 4-01-08	REVISED -									