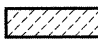
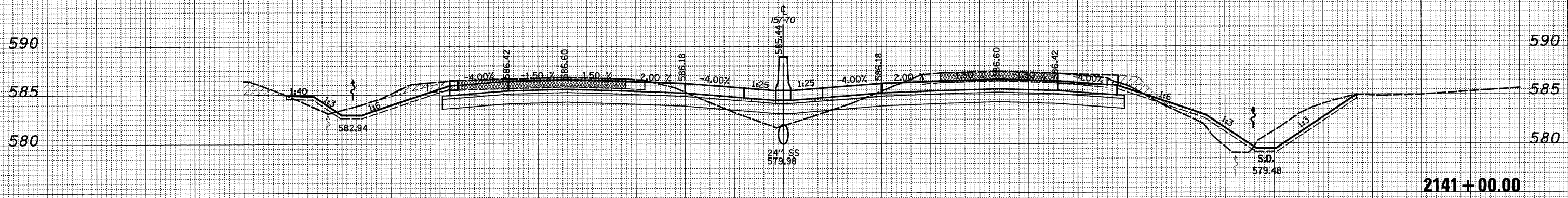


150 140 130 120 110 100 90 80 70 60 50 40 30 20 10 0 10 20 30 40 50 60 70 80 90 100 110 120 130 140 150

LEGEND
 - GRADING BY OTHERS

FINAL SURVEY NO.	SURVEYED	DATE
NOTE BOOK	PLOTTED	
NO.	TEMPLATE	
	AREAS CHECKED	

ORIGINAL SURVEY NO.	SURVEYED	DATE
NOTE BOOK	PLOTTED	
	TEMPLATE	
	AREAS CHECKED	



150 140 130 120 110 100 90 80 70 60 50 40 30 20 10 0 10 20 30 40 50 60 70 80 90 100 110 120 130 140 150

FILE NAME =	USER NAME = #USER#	DESIGNED - JWS	REVISED -	STATE OF ILLINOIS DEPARTMENT OF TRANSPORTATION	CROSS SECTIONS FAI 57/70		F.A.I. RTE. 57/70	SECTION (25-3,4)R	COUNTY EFFINGHAM	TOTAL SHEETS 1098	SHEET NO. 455	
#18	PLOT SCALE = #SCALE#	DRAWN - LEC	REVISED -		SCALE: 1"=10'	SHEET NO. 29 OF 199 SHEETS	STA. 2141+00.00 TO STA. 2141+00.00	FED. ROAD DIST. NO.	ILLINOIS FED. AID PROJECT	CONTRACT NO. 74299		
	PLOT DATE = #DATE#	CHECKED - BRM	REVISED -									
		DATE - 4-01-08	REVISED -									