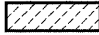
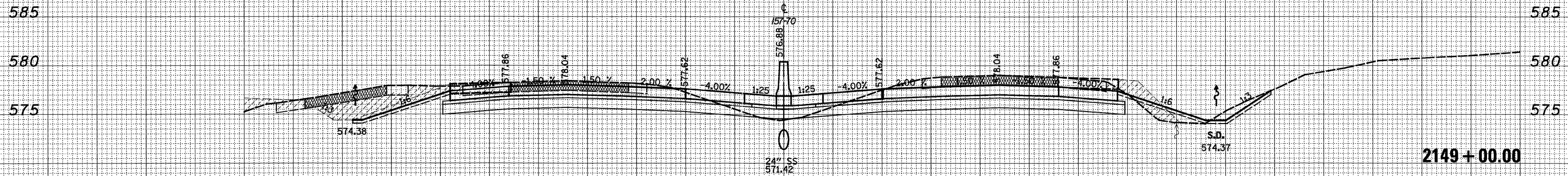


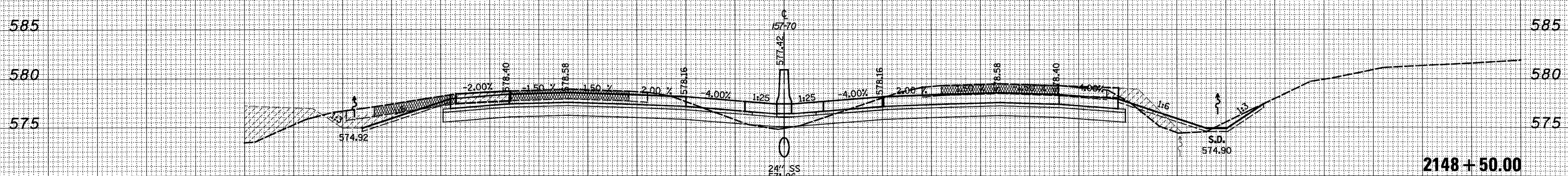
150 140 130 120 110 100 90 80 70 60 50 40 30 20 10 0 10 20 30 40 50 60 70 80 90 100 110 120 130 140 150

LEGEND
 - GRADING BY OTHERS

DATE	
BY	
FINISHED SURVEY	
PLOTTED	
TEMPLATE	
AREAS	
CHECKED	
NO.	



DATE	
BY	
ORIGINAL SURVEY	
PLOTTED	
TEMPLATE	
AREAS	
CHECKED	
NO.	



150 140 130 120 110 100 90 80 70 60 50 40 30 20 10 0 10 20 30 40 50 60 70 80 90 100 110 120 130 140 150

FILE NAME =	USER NAME = #USER#	DESIGNED - JWS	REVISED -	STATE OF ILLINOIS DEPARTMENT OF TRANSPORTATION	CROSS SECTIONS FAI 57/70		F.A.I. RTE. 57/70	SECTION (25-3,4)R	COUNTY EFFINGHAM	TOTAL SHEETS 1098	SHEET NO. 466	
#188	PLOT SCALE = #SCALE#	DRAWN - LEC	REVISED -		SCALE: 1"=10'	SHEET NO. 40 OF 199 SHEETS	STA. 2148+50.00 TO STA. 2149+00.00	FED. ROAD DIST. NO. ILLINOIS FED. AID PROJECT				
	PLOT DATE = #DATE#	CHECKED - BRM	REVISED -		CONTRACT NO. 74299							
		DATE - 4-01-08	REVISED -									