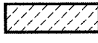
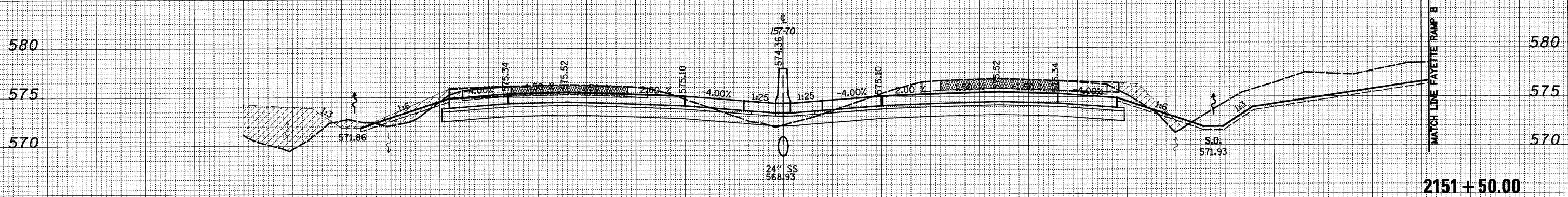


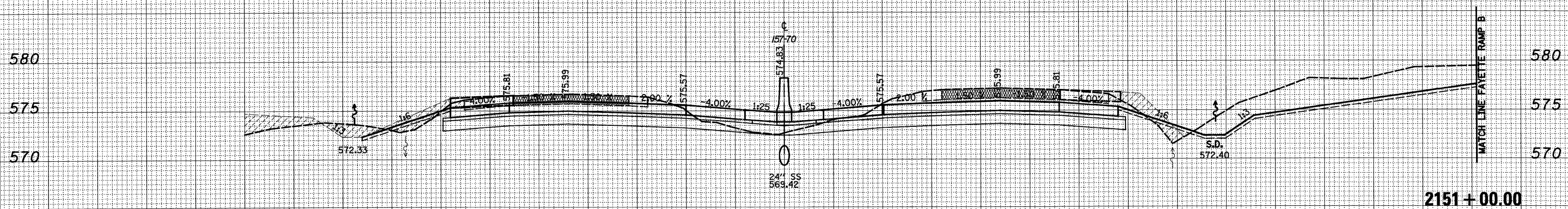
150 140 130 120 110 100 90 80 70 60 50 40 30 20 10 0 10 20 30 40 50 60 70 80 90 100 110 120 130 140 150

**LEGEND**  
 - GRADING BY OTHERS

DATE	
BY	
SURVEYED	
PLOTTED	
TEMPLATE	
NOTE BOOK	
AREAS CHECKED	
NO.	



DATE	
BY	
SURVEYED	
PLOTTED	
TEMPLATE	
NOTE BOOK	
AREAS CHECKED	
NO.	



150 140 130 120 110 100 90 80 70 60 50 40 30 20 10 0 10 20 30 40 50 60 70 80 90 100 110 120 130 140 150

FILE NAME =	USER NAME = #USER#	DESIGNED - JWS	REVISED -	<b>STATE OF ILLINOIS DEPARTMENT OF TRANSPORTATION</b>	<b>CROSS SECTIONS FAI 57/70</b>		F.A.I. RTE. 57/70	SECTION (25-3,4)R	COUNTY EFFINGHAM	TOTAL SHEETS 1098	SHEET NO. 469	
#113	PLOT SCALE = #SCALE#	DRAWN - LEC	REVISED -		SCALE: 1"=10'	SHEET NO. 43 OF 199 SHEETS	STA. 2151+00.00 TO STA. 2151+50.00	FED. ROAD DIST. NO.	ILLINOIS FED. AID PROJECT			
	PLOT DATE = #DATE#	CHECKED - BRM	REVISED -									
		DATE - 4-01-08	REVISED -									