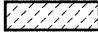


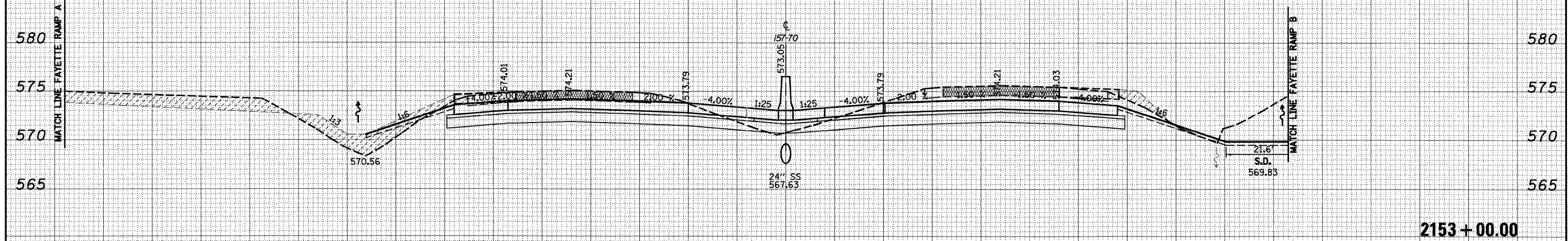
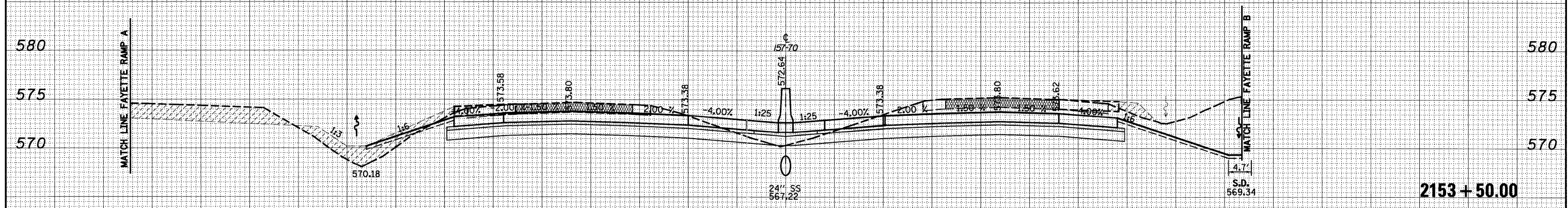
150 140 130 120 110 100 90 80 70 60 50 40 30 20 10 0 10 20 30 40 50 60 70 80 90 100 110 120 130 140 150

LEGEND

 - GRADING BY OTHERS

DATE	
BY	
FINAL SURVEY	
SURVEYED	
PLOTTED	
TEMPLATE	
NOTE BOOK	
NO.	
AREAS CHECKED	

DATE	
BY	
ORIGINAL SURVEY	
SURVEYED	
PLOTTED	
TEMPLATE	
NOTE BOOK	
NO.	
AREAS CHECKED	



150 140 130 120 110 100 90 80 70 60 50 40 30 20 10 0 10 20 30 40 50 60 70 80 90 100 110 120 130 140 150

FILE NAME	
FILE#	

USER NAME	= #USER#
DESIGNED	- JWS
DRAWN	- LEC
CHECKED	- BRM
DATE	- 4-01-08

REVISED	-
REVISED	-
REVISED	-
REVISED	-

**STATE OF ILLINOIS
DEPARTMENT OF TRANSPORTATION**

CROSS SECTIONS FAI 57/70

SCALE: 1"=10' SHEET NO. 46 OF 199 SHEETS STA. 2153+00.00 TO STA. 2153+50.00

F.A.I. RTE.	SECTION	COUNTY	TOTAL SHEETS	SHEET NO.
57/70	(25-3,4R)	EFFINGHAM	1098	472
FED. ROAD DIST. NO.			ILLINOIS FED. AID PROJECT	
			CONTRACT NO. 74299	