
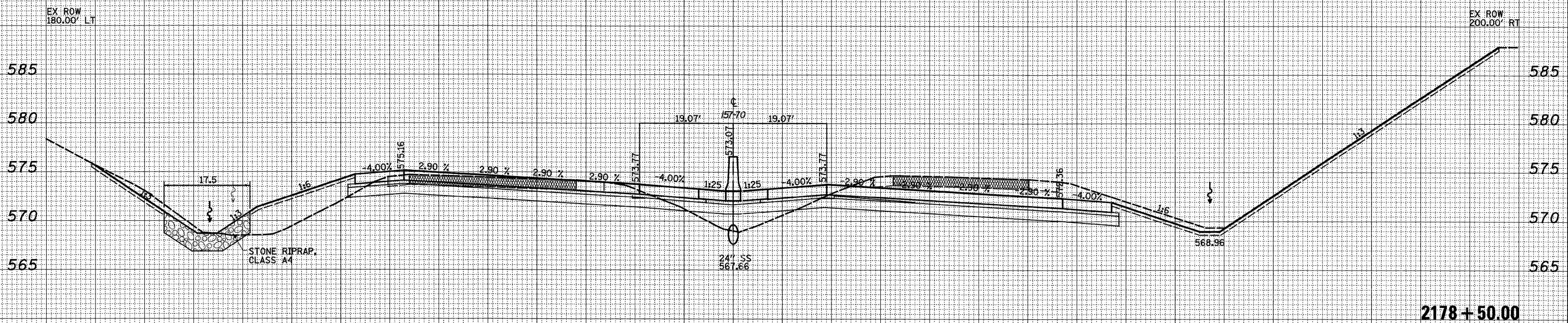


150 140 130 120 110 100 90 80 70 60 50 40 30 20 10 0 10 20 30 40 50 60 70 80 90 100 110 120 130 140 150

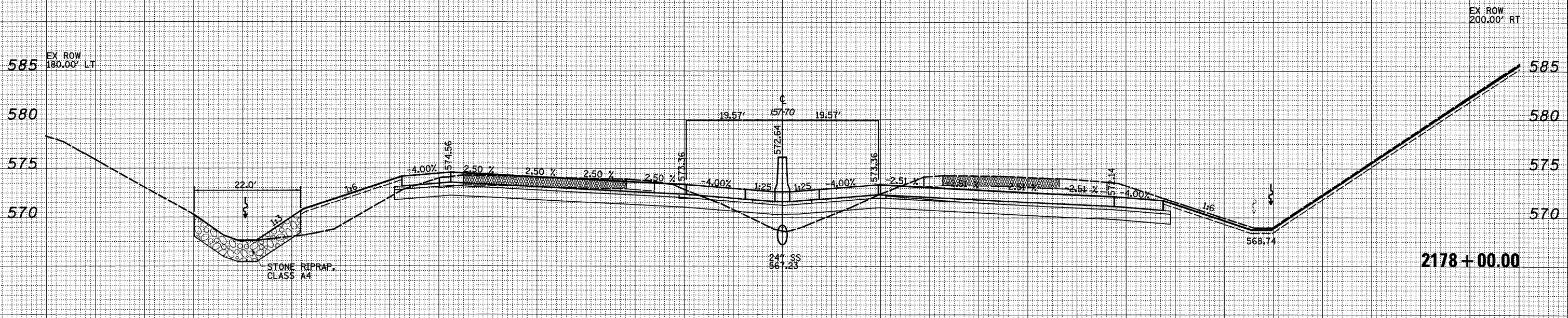
LEGEND
 - GRADING BY OTHERS

DATE	
BY	
SURVEYED	
PLOTTED	
TEMPLATE	
NOTE BOOK	
NO.	
AREAS CHECKED	



2178+50.00

DATE	
BY	
SURVEYED	
PLOTTED	
TEMPLATE	
NOTE BOOK	
NO.	
AREAS CHECKED	



2178+00.00

150 140 130 120 110 100 90 80 70 60 50 40 30 20 10 0 10 20 30 40 50 60 70 80 90 100 110 120 130 140 150

FILE NAME =	USER NAME = #USER#	DESIGNED - JWS	REVISED -	STATE OF ILLINOIS DEPARTMENT OF TRANSPORTATION	CROSS SECTIONS FAI 57/70		F.A.I. RTE. 57/70	SECTION (25-3,4R)	COUNTY EFFINGHAM	TOTAL SHEETS 1098	SHEET NO. 526
#FILE#	PLOT SCALE = #SCALE#	DRAWN - LEC	REVISED -		SCALE: 1"=10'	SHEET NO. 100 OF 199 SHEETS	STA. 2177+50.00 TO STA. 2178+00.00	FED. ROAD DIST. NO.	ILLINOIS FED. AID PROJECT	CONTRACT NO. 74299	
	PLOT DATE = #DATE#	CHECKED - BRM	REVISED -								
		DATE - 4-01-08	REVISED -								