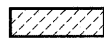
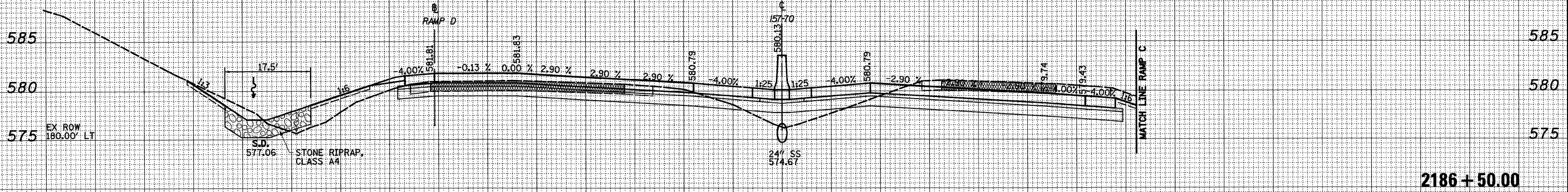


150 140 130 120 110 100 90 80 70 60 50 40 30 20 10 0 10 20 30 40 50 60 70 80 90 100 110 120 130 140 150

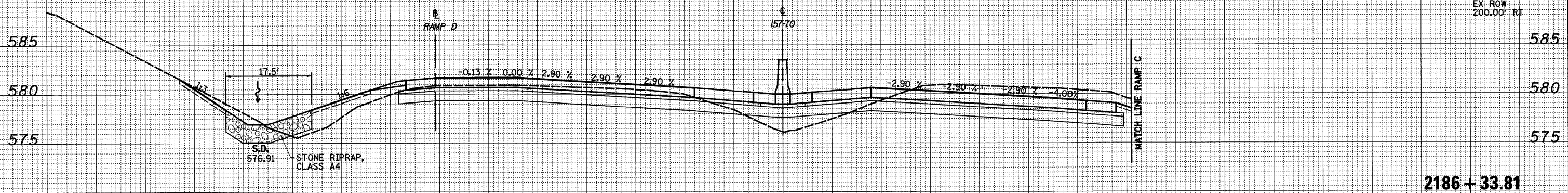
**LEGEND**  
 - GRADING BY OTHERS

DATE \_\_\_\_\_  
 BY \_\_\_\_\_  
 SURVEYED \_\_\_\_\_  
 PLOTTED \_\_\_\_\_  
 TEMPLATE \_\_\_\_\_  
 NOTE BOOK \_\_\_\_\_  
 AREAS CHECKED \_\_\_\_\_  
 NO. \_\_\_\_\_

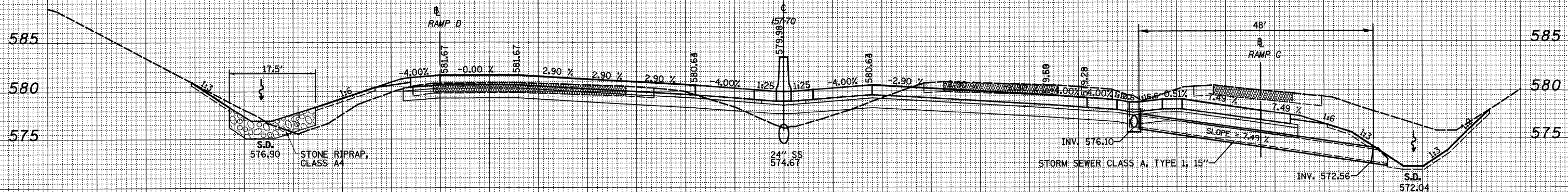


2186 + 50.00

DATE \_\_\_\_\_  
 BY \_\_\_\_\_  
 SURVEYED \_\_\_\_\_  
 PLOTTED \_\_\_\_\_  
 TEMPLATE \_\_\_\_\_  
 NOTE BOOK \_\_\_\_\_  
 AREAS CHECKED \_\_\_\_\_  
 NO. \_\_\_\_\_



2186 + 33.81



2186 + 32.00

NOT FOR EARTHWORK

150 140 130 120 110 100 90 80 70 60 50 40 30 20 10 0 10 20 30 40 50 60 70 80 90 100 110 120 130 140 150

FILE NAME =	USER NAME = #USER#	DESIGNED - JWS	REVISED -	<b>STATE OF ILLINOIS DEPARTMENT OF TRANSPORTATION</b>	<b>CROSS SECTIONS FAI 57/70</b>			F.A.I. RTE.	SECTION	COUNTY	TOTAL SHEETS	SHEET NO.
#111	PLOT SCALE = #SCALE#	DRAWN - LEC	REVISED -		SCALE: 1"=10'	SHEET NO. 111 OF 199 SHEETS	STA. 2186+32.00 TO STA. 2186+50.00	57/70	(25-3,4)R	EFFINGHAM	1098	537
	PLOT DATE = #DATE#	CHECKED - BRM	REVISED -		CONTRACT NO. 74299							
		DATE - 4-01-08	REVISED -		FED. ROAD DIST. NO. ILLINOIS FED. AID PROJECT							