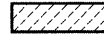
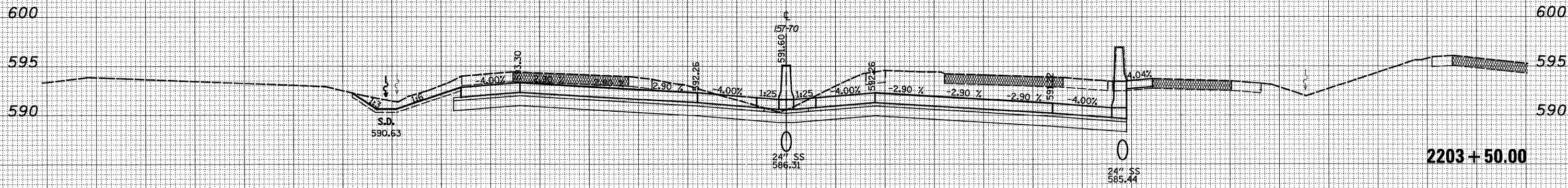


150 140 130 120 110 100 90 80 70 60 50 40 30 20 10 0 10 20 30 40 50 60 70 80 90 100 110 120 130 140 150

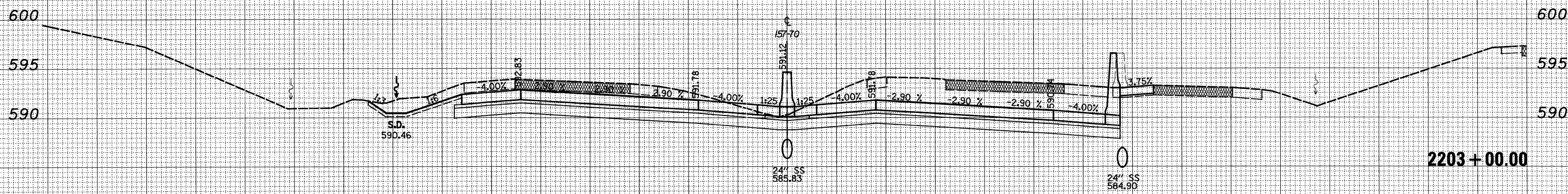
**LEGEND**

 - GRADING BY OTHERS

DATE	
BY	
SURVEYED	
PLOTTED	
TEMPLATE	
NOTE BOOK	
NO.	
AREAS CHECKED	



DATE	
BY	
SURVEYED	
PLOTTED	
TEMPLATE	
NOTE BOOK	
NO.	
AREAS CHECKED	



150 140 130 120 110 100 90 80 70 60 50 40 30 20 10 0 10 20 30 40 50 60 70 80 90 100 110 120 130 140 150

FILE NAME =	USER NAME = *USER*	DESIGNED - JWS	REVISED -	<b>STATE OF ILLINOIS DEPARTMENT OF TRANSPORTATION</b>	<b>CROSS SECTIONS FAI 57/70</b>	F.A.I. RTE.	SECTION	COUNTY	TOTAL SHEETS	SHEET NO.	
#188	PLOT SCALE = *SCALE*	DRAWN - LEC	REVISED -			57/70	(25-3,4R)	EFFINGHAM	1098	557	
	PLOT DATE = *DATE*	CHECKED - BRM	REVISED -			CONTRACT NO. 74299					
		DATE - 4-01-08	REVISED -			FED. ROAD DIST. NO. [ILLINOIS] FED. AID PROJECT					

SCALE: 1"=10' SHEET NO. 131 OF 199 SHEETS STA. 2203+00.00 TO STA. 2203+50.00