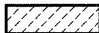
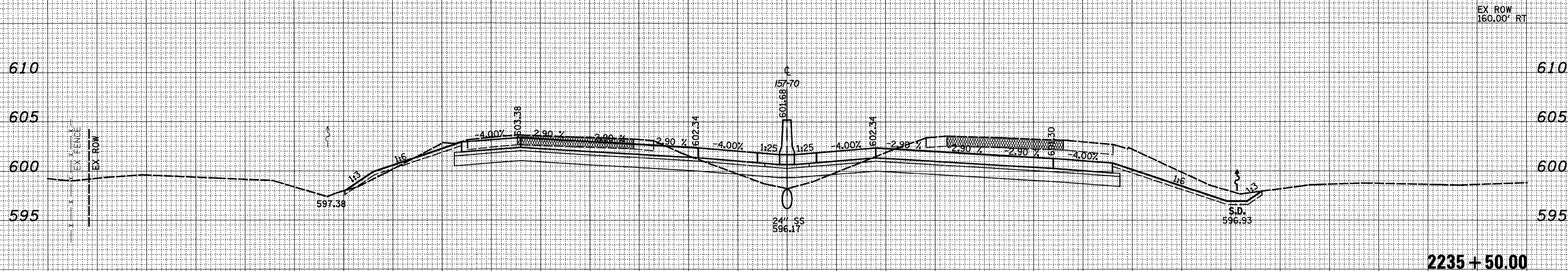


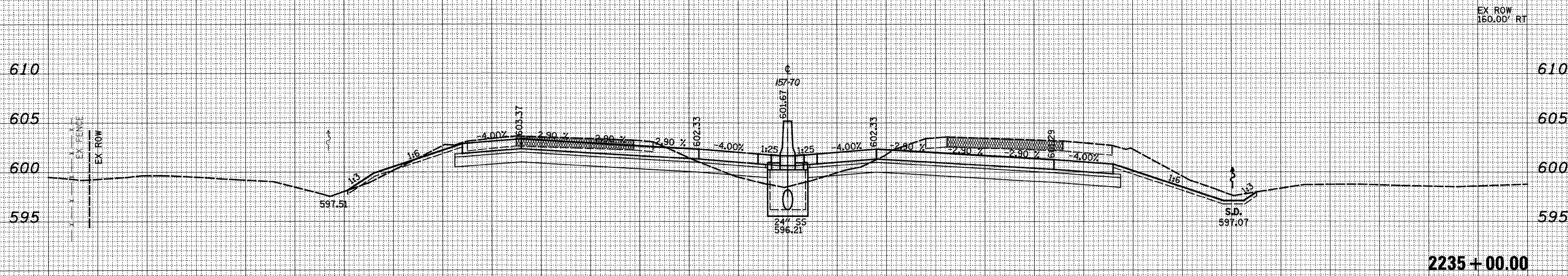
150 140 130 120 110 100 90 80 70 60 50 40 30 20 10 0 10 20 30 40 50 60 70 80 90 100 110 120 130 140 150

LEGEND
 - GRADING BY OTHERS

FINAL SURVEY NO.	SURVEYED BY	DATE
NOTE BOOK NO.	PLOTTED BY	
	TEMPLATE AREAS CHECKED	



ORIGINAL SURVEY NO.	SURVEYED BY	DATE
NOTE BOOK NO.	PLOTTED BY	
	TEMPLATE AREAS CHECKED	



150 140 130 120 110 100 90 80 70 60 50 40 30 20 10 0 10 20 30 40 50 60 70 80 90 100 110 120 130 140 150

FILE NAME =	USER NAME = #USER#	DESIGNED - JWS	REVISED -	STATE OF ILLINOIS DEPARTMENT OF TRANSPORTATION	CROSS SECTIONS FAI 57/70	F.A.I. RTE. 57/70	SECTION (25-3,4R)	COUNTY EFFINGHAM	TOTAL SHEETS 1098	SHEET NO. 590		
#118	PLOT SCALE = #SCALE#	DRAWN - LEC	REVISED -			SCALE: 1"=10'	SHEET NO. 164 OF 199 SHEETS	STA. 2235+00.00 TO STA. 2235+50.00	CONTRACT NO. 74299			
	PLOT DATE = #DATE#	CHECKED - BRM	REVISED -			FED. ROAD DIST. NO. [ILLINOIS] FED. AID PROJECT						
		DATE - 4-01-08	REVISED -									