
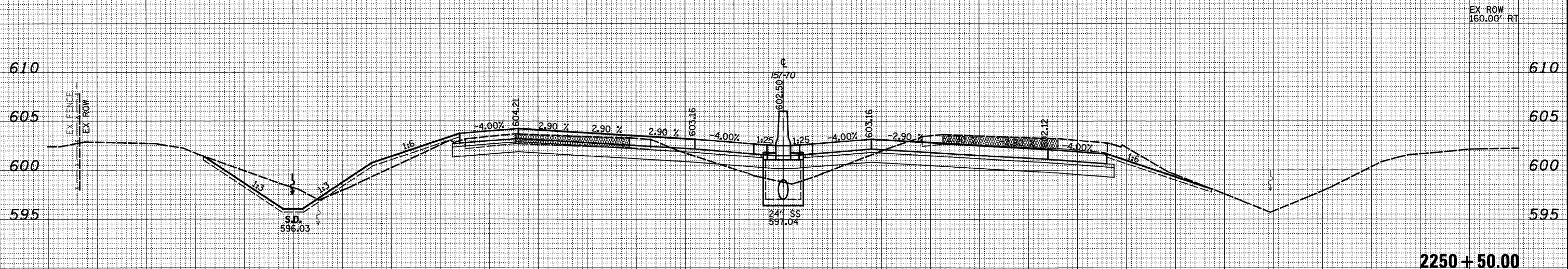


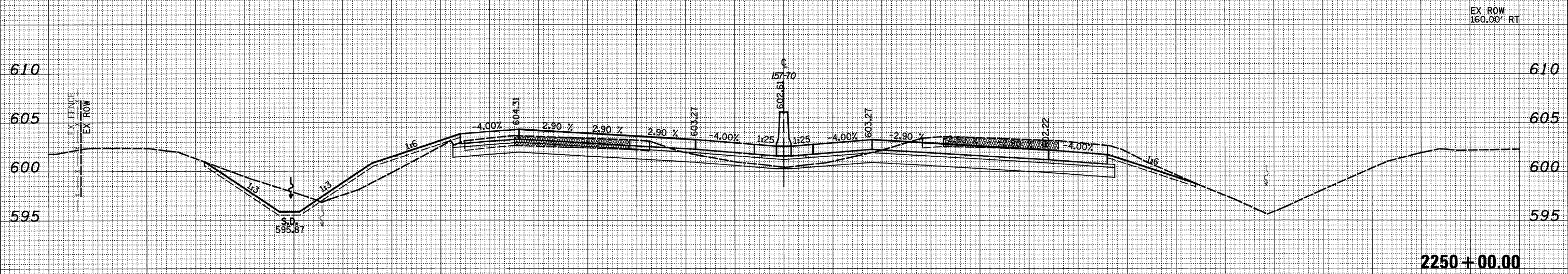
150 140 130 120 110 100 90 80 70 60 50 40 30 20 10 0 10 20 30 40 50 60 70 80 90 100 110 120 130 140 150

LEGEND
 - GRADING BY OTHERS

DATE	
BY	
FINAL SURVEY	
PLOTTED	
TEMPLATE	
NO. _____	
AREAS CHECKED	



DATE	
BY	
ORIGINAL SURVEY	
PLOTTED	
TEMPLATE	
NO. _____	
AREAS CHECKED	



150 140 130 120 110 100 90 80 70 60 50 40 30 20 10 0 10 20 30 40 50 60 70 80 90 100 110 120 130 140 150

FILE NAME =	USER NAME = #USER#	DESIGNED - JWS	REVISED -	STATE OF ILLINOIS DEPARTMENT OF TRANSPORTATION	CROSS SECTIONS FAI 57/70	F.A.I. RTE.	SECTION	COUNTY	TOTAL SHEETS	SHEET NO.	
#118	PLOT SCALE = #SCALE#	DRAWN - LEC	REVISED -			57/70	(25-3,4R)	EFFINGHAM	1098	605	
	PLOT DATE = #DATE#	CHECKED - BRM	REVISED -			CONTRACT NO. 74299					
		DATE - 4-01-08	REVISED -			FED. ROAD DIST. NO. ILLINOIS FED. AID PROJECT					
				SCALE: 1"=10'		SHEET NO. 179 OF 199 SHEETS		STA. 2250+00.00 TO STA. 2250+50.00			