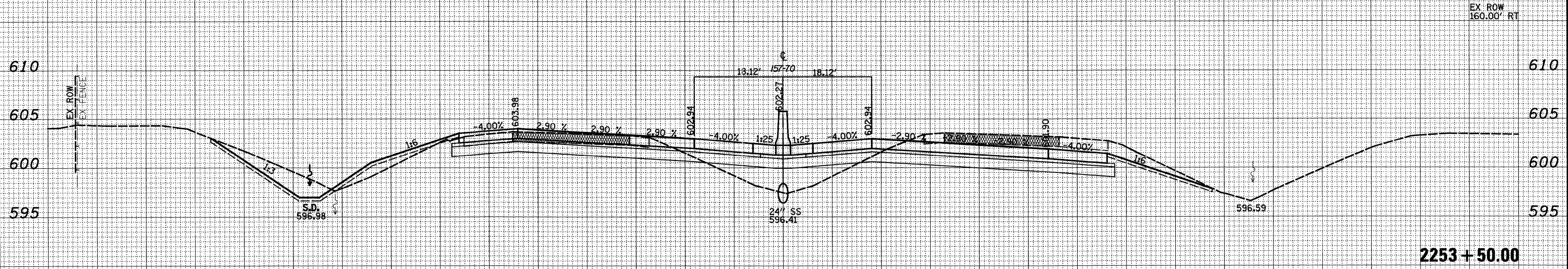


150 140 130 120 110 100 90 80 70 60 50 40 30 20 10 0 10 20 30 40 50 60 70 80 90 100 110 120 130 140 150

LEGEND

▨ - GRADING BY OTHERS

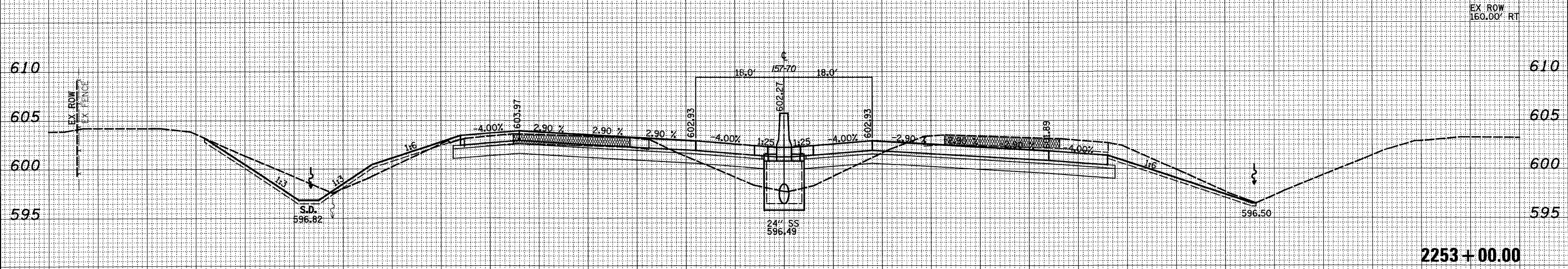
DATE	BY
FINAL SURVEY	SURVEYED
NOTE BOOK NO.	PLOTTED
	TEMPLATE
	AREAS CHECKED



EX ROW
160.00' RT

2253 + 50.00

DATE	BY
ORIGINAL SURVEY	SURVEYED
NOTE BOOK NO.	PLOTTED
	TEMPLATE
	AREAS CHECKED



EX ROW
160.00' RT

2253 + 00.00

150 140 130 120 110 100 90 80 70 60 50 40 30 20 10 0 10 20 30 40 50 60 70 80 90 100 110 120 130 140 150

FILE NAME =	USER NAME = #USER#
#18	
	PLOT SCALE = #SCALE#
	PLOT DATE = #DATE#

DESIGNED - JWS	REVISED -
DRAWN - LEC	REVISED -
CHECKED - BRM	REVISED -
DATE - 4-01-08	REVISED -

DESIGNED - JWS	REVISED -
DRAWN - LEC	REVISED -
CHECKED - BRM	REVISED -
DATE - 4-01-08	REVISED -

**STATE OF ILLINOIS
DEPARTMENT OF TRANSPORTATION**

CROSS SECTIONS FAI 57/70

SCALE: 1"=10' SHEET NO. 182 OF 199 SHEETS STA. 2253+00.00 TO STA. 2253+50.00

F.A.I. RTE. 57/70	SECTION (25-3,4R)	COUNTY EFFINGHAM	TOTAL SHEETS 1098	SHEET NO. 608
FED. ROAD DIST. NO. ILLINOIS		FED. AID PROJECT		
CONTRACT NO. 74299				