
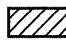





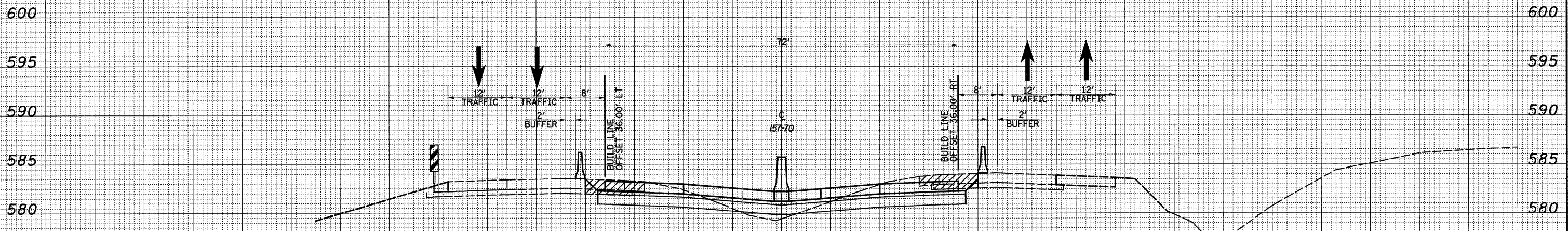
150 140 130 120 110 100 90 80 70 60 50 40 30 20 10 0 10 20 30 40 50 60 70 80 90 100 110 120 130 140 150

LEGEND

-  - TEMPORARY PCC PAVEMENT
-  - REMOVAL
-  - DRUM
-  - TEMPORARY CONCRETE BARRIER
-  - DIRECTION OF TRAFFIC

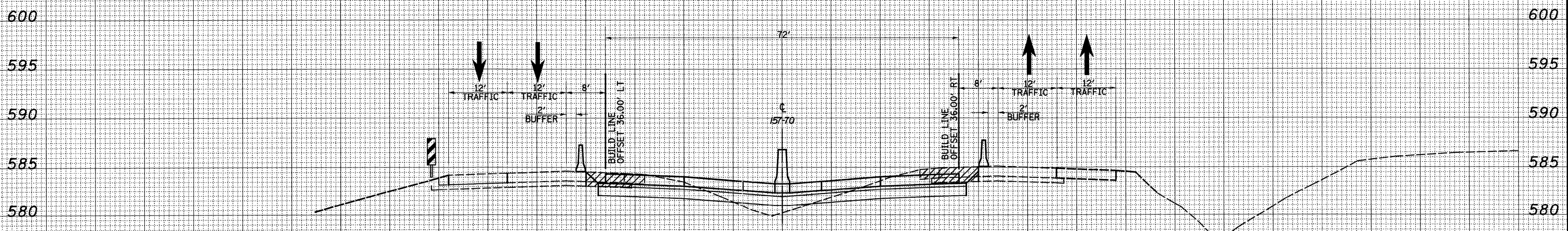
DATE	
BY	
SURVEYED	
PLOTTED	
NOTE BOOK	
AREAS CHECKED	

DATE	
BY	
SURVEYED	
PLOTTED	
NOTE BOOK	
AREAS CHECKED	



CUT=46 FILL=23

2144 + 00.00



CUT=39 FILL=32

2143 + 00.00

150 140 130 120 110 100 90 80 70 60 50 40 30 20 10 0 10 20 30 40 50 60 70 80 90 100 110 120 130 140 150

FILE NAME =	USER NAME = bseibel	DESIGNED - JWS	REVISED -	STATE OF ILLINOIS DEPARTMENT OF TRANSPORTATION	MAINTENANCE OF TRAFFIC - 157/70 (STAGE 1)		F.A.I. RTE.	SECTION	COUNTY	TOTAL SHEETS	SHEET NO.		
S:\Projects\403-00072-57-70\dgn\ML_Keller\sheet1.mcd\DOT_Sldgn		DRAWN - LEC	REVISED -				57/70	(25-3,4)R	EFFINGHAM	1098	817		
PLOT SCALE = 20.0000' / IN.		CHECKED - BRM	REVISED -				SCALE: 1"=10'		SHEET NO. 13 OF 91 SHEETS		STA. 2143+00.00 TO STA. 2144+00.00	CONTRACT NO. 74299	
PLOT DATE = 3/11/2011		DATE - 4-01-08	REVISED -				FED. ROAD DIST. NO. ILLINOIS FED. AID PROJECT						