




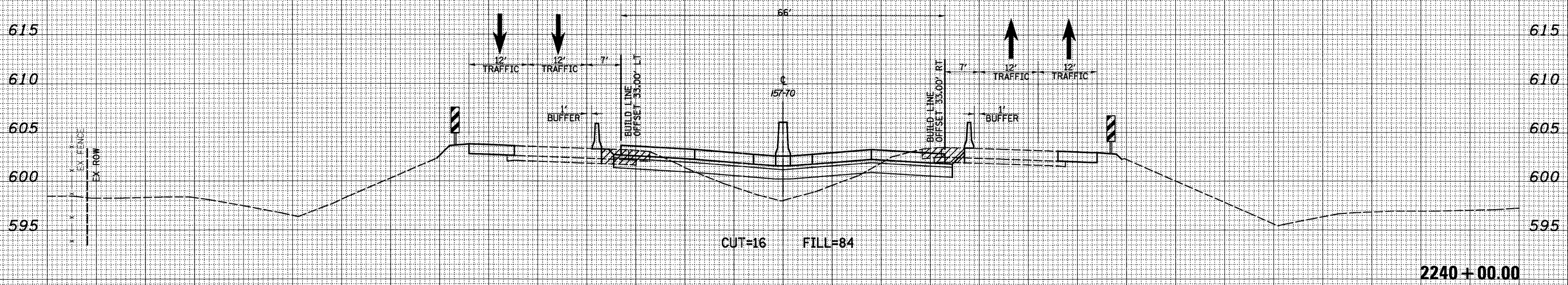


150 140 130 120 110 100 90 80 70 60 50 40 30 20 10 0 10 20 30 40 50 60 70 80 90 100 110 120 130 140 150

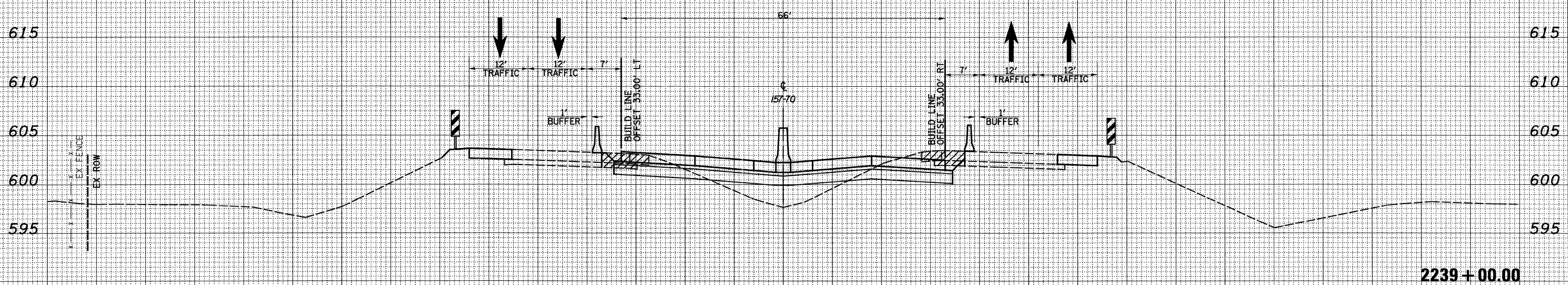
**LEGEND**

-  - TEMPORARY PCC PAVEMENT
-  - REMOVAL
-  - DRUM
-  - TEMPORARY CONCRETE BARRIER
-  - DIRECTION OF TRAFFIC

DATE	
BY	
SURVEYED	
PLOTTED	
TEMPLATE	
NOTE BOOK	
AREAS CHECKED	
NO.	



DATE	
BY	
SURVEYED	
PLOTTED	
TEMPLATE	
NOTE BOOK	
AREAS CHECKED	
NO.	



150 140 130 120 110 100 90 80 70 60 50 40 30 20 10 0 10 20 30 40 50 60 70 80 90 100 110 120 130 140 150

FILE NAME =	USER NAME = bseibol	DESIGNED - JWS	REVISED -	<b>STATE OF ILLINOIS DEPARTMENT OF TRANSPORTATION</b>	<b>MAINTENANCE OF TRAFFIC - I57/70 (STAGE 1)</b>		F.A.I. RTE.	SECTION	COUNTY	TOTAL SHEETS	SHEET NO.
S:\Projects\403-00072-57-70\ dgn\ML_Keller\ xssht1_mofm07_S1.dgn		DRAWN - LEC	REVISED -		57/70	(25-3,4)R	EFFINGHAM	1098	875		
PLOT SCALE = 20.0000' / IN.		CHECKED - BRM	REVISED -		SCALE: 1"=10'	SHEET NO. 71 OF 91 SHEETS	STA. 2239+00.00 TO STA. 2240+00.00		CONTRACT NO. 74299		
PLOT DATE = 3/11/2011		DATE - 4-01-08	REVISED -				FED. ROAD DIST. NO. ILLINOIS FED. AID PROJECT				