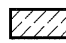
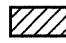





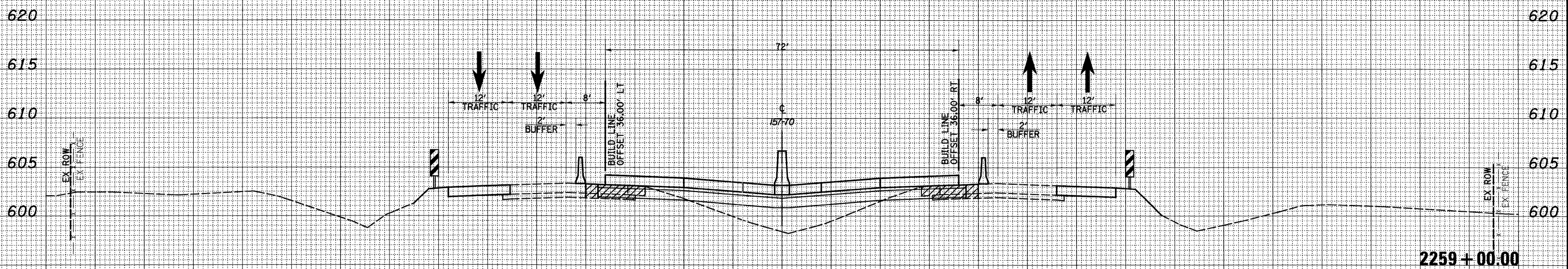
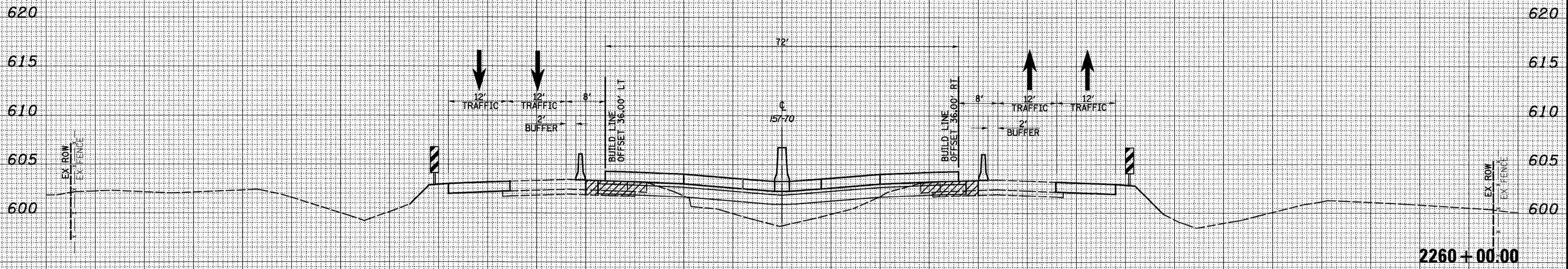
DATE	
BY	
FINAL SURVEY	SURVEYED
NOTE BOOK NO.	PLOTTED
	TEMPLATE
	AREAS CHECKED

DATE	
BY	
ORIGINAL SURVEY	SURVEYED
NOTE BOOK NO.	PLOTTED
	TEMPLATE
	AREAS CHECKED

150 140 130 120 110 100 90 80 70 60 50 40 30 20 10 0 10 20 30 40 50 60 70 80 90 100 110 120 130 140 150

LEGEND

-  - TEMPORARY PCC PAVEMENT
-  - REMOVAL
-  - DRUM
-  - TEMPORARY CONCRETE BARRIER
-  - DIRECTION OF TRAFFIC



150 140 130 120 110 100 90 80 70 60 50 40 30 20 10 0 10 20 30 40 50 60 70 80 90 100 110 120 130 140 150

FILE NAME = S:\Projects\403-00072-57-70\dgn\ML_Keller\ssht_mdr\M07_S1.dgn

USER NAME = baeibe1
 PLOT SCALE = 20.0000' / IN.
 PLOT DATE = 3/11/2011

DESIGNED - JWS
 DRAWN - LEC
 CHECKED - BRM
 DATE - 4-01-08

REVISED -
 REVISED -
 REVISED -
 REVISED -

**STATE OF ILLINOIS
 DEPARTMENT OF TRANSPORTATION**

MAINTENANCE OF TRAFFIC - 157/70 (STAGE 1)
 SCALE: 1"=10' SHEET NO. 81 OF 91 SHEETS STA. 2259+00.00 TO STA. 2260+00.00

F.A.I. RTE. 57/70	SECTION (25-3,4)R	COUNTY EFFINGHAM	TOTAL SHEETS 1098	SHEET NO. 885
FED. ROAD DIST. NO. ILLINOIS FED. AID PROJECT			CONTRACT NO. 74299	