
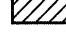





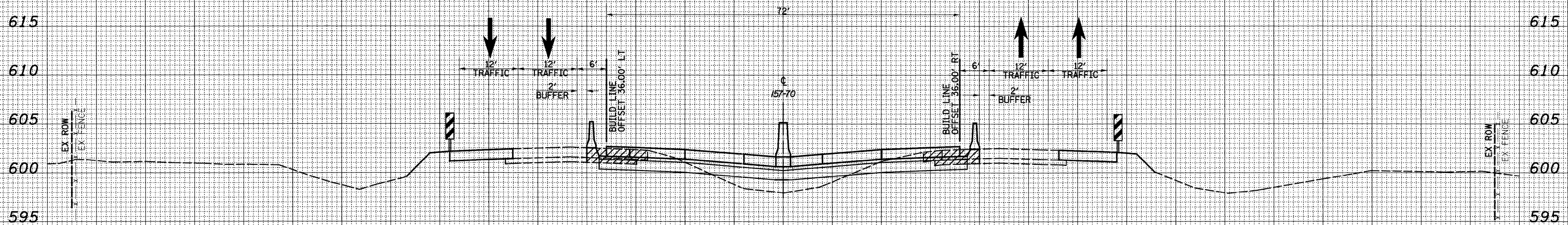
150 140 130 120 110 100 90 80 70 60 50 40 30 20 10 0 10 20 30 40 50 60 70 80 90 100 110 120 130 140 150

LEGEND

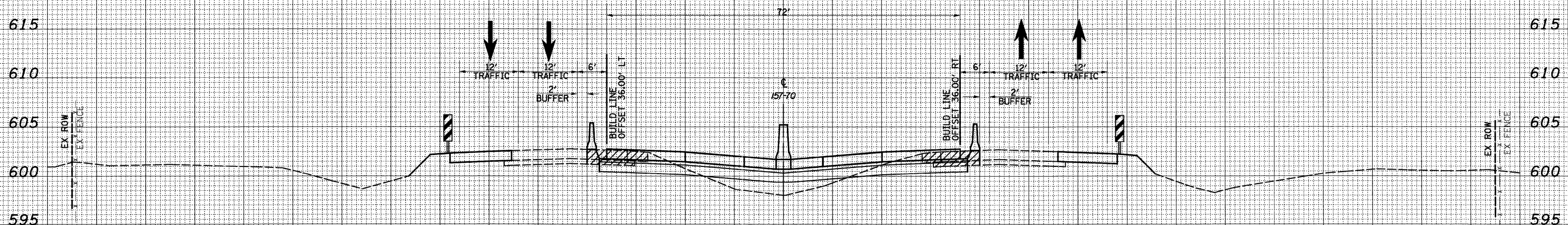
-  - TEMPORARY PCC PAVEMENT
-  - REMOVAL
-  - DRUM
-  - TEMPORARY CONCRETE BARRIER
-  - DIRECTION OF TRAFFIC

DATE	
BY	
FINAL SURVEY	
SURVEYED	
PLOTTED	
TEMPLATE	
NOTE BOOK	
NO. AREAS CHECKED	

DATE	
BY	
ORIGINAL SURVEY	
SURVEYED	
PLOTTED	
TEMPLATE	
NOTE BOOK	
NO. AREAS CHECKED	



2268 + 00.00



2267 + 00.00

150 140 130 120 110 100 90 80 70 60 50 40 30 20 10 0 10 20 30 40 50 60 70 80 90 100 110 120 130 140 150

FILE NAME = S:\Projects\403-00072-57-70\dgn\ML_keller\user\matr\MOT_S1.dgn

USER NAME = bseibel
 PLOT SCALE = 20.0000' / IN.
 PLOT DATE = 3/11/2011

DESIGNED - JWS
 DRAWN - LEC
 CHECKED - BRM
 DATE - 4-01-08

REVISED -
 REVISED -
 REVISED -
 REVISED -

**STATE OF ILLINOIS
 DEPARTMENT OF TRANSPORTATION**

MAINTENANCE OF TRAFFIC - 157/70 (STAGE 1)

SCALE: 1"=10' SHEET NO. 85 OF 91 SHEETS STA. 2267+00.00 TO STA. 2268+00.00

F.A.I. RTE. 57/70	SECTION (25-3,4)R	COUNTY EFFINGHAM	TOTAL SHEETS 1098	SHEET NO. 889
FED. ROAD DIST. NO. ILLINOIS FED. AID PROJECT			CONTRACT NO. 74299	