




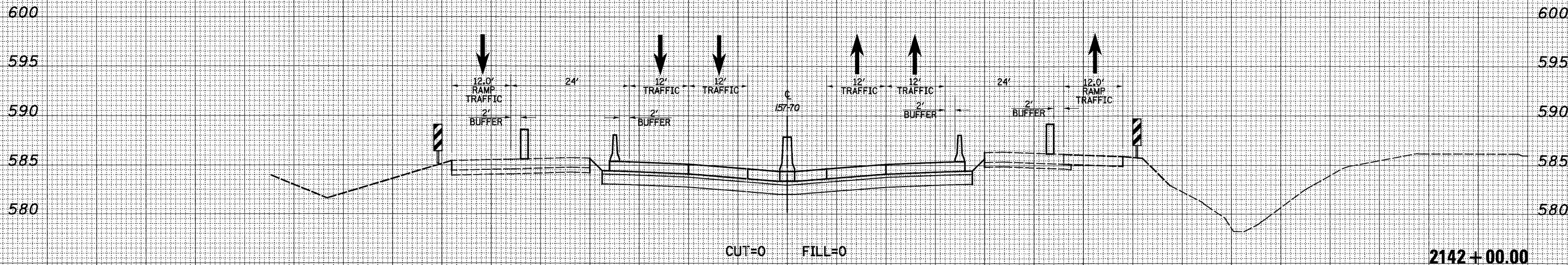


150 140 130 120 110 100 90 80 70 60 50 40 30 20 10 0 10 20 30 40 50 60 70 80 90 100 110 120 130 140 150

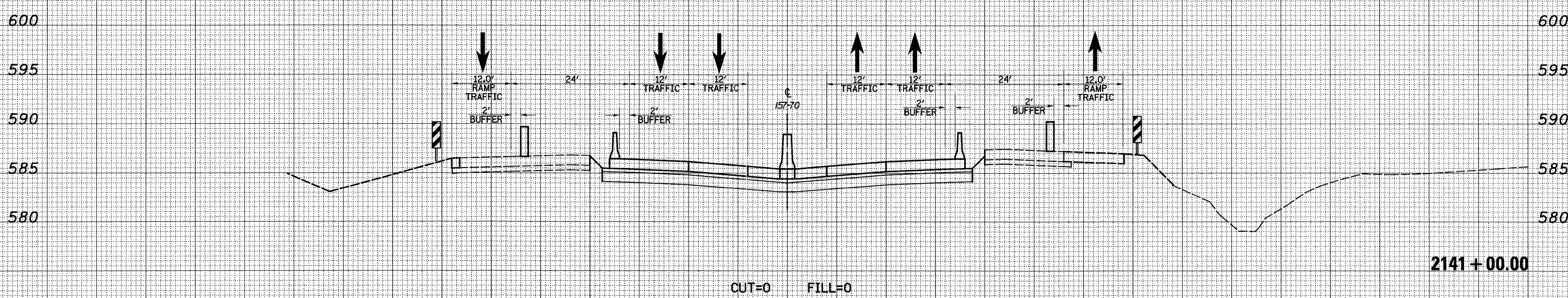
**LEGEND**

-  - TEMPORARY PCC PAVEMENT
-  - REMOVAL
-  - DRUM
-  - TEMPORARY CONCRETE BARRIER
-  - DIRECTION OF TRAFFIC

**CROSS SECTION OMISSION**  
**STA. 2143+00.00 TO STA. 2149+00.00**



**2142+00.00**



**2141+00.00**

150 140 130 120 110 100 90 80 70 60 50 40 30 20 10 0 10 20 30 40 50 60 70 80 90 100 110 120 130 140 150

DATE	
BY	
FINAL SURVEY	
PLOTTED	
TEMPLATE	
NOTE BOOK	
NO.	
AREAS CHECKED	

DATE	
BY	
ORIGINAL SURVEY	
PLOTTED	
TEMPLATE	
NOTE BOOK	
NO.	
AREAS CHECKED	

FILE NAME =	USER NAME = *USER*
FILE#	

DESIGNED -	JWS
DRAWN -	LEC
CHECKED -	BRM
DATE -	4-01-08

REVISED -	
REVISED -	
REVISED -	
REVISED -	

**STATE OF ILLINOIS**  
**DEPARTMENT OF TRANSPORTATION**

**MAINTENANCE OF TRAFFIC - I57/70 (PRE-STAGE 2A)**

SCALE: 1"=10' SHEET NO. 6 OF 28 SHEETS STA. 2141+00.00 TO STA. 2142+00.00

F.A.I. RTE.	SECTION	COUNTY	TOTAL SHEETS	SHEET NO.
57/70	(25-3,4)R	EFFINGHAM	1098	901
FED. ROAD DIST. NO.			ILLINOIS FED. AID PROJECT	
			CONTRACT NO. 74299	