




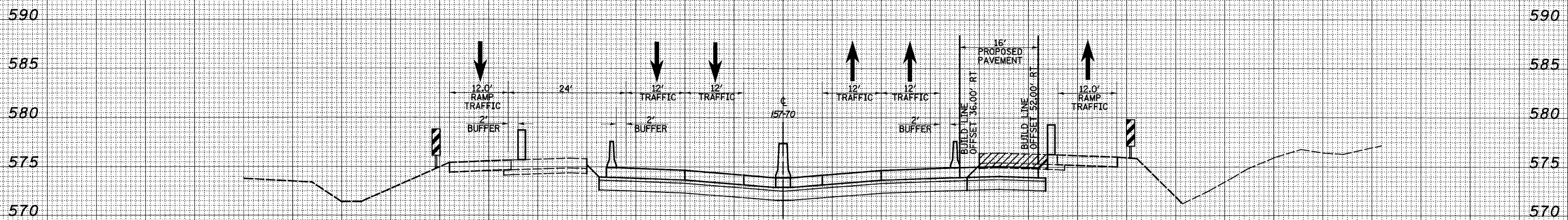


150 140 130 120 110 100 90 80 70 60 50 40 30 20 10 0 10 20 30 40 50 60 70 80 90 100 110 120 130 140 150

LEGEND

-  - TEMPORARY PCC PAVEMENT
-  - REMOVAL
-  - DRUM
-  - TEMPORARY CONCRETE BARRIER
-  - DIRECTION OF TRAFFIC

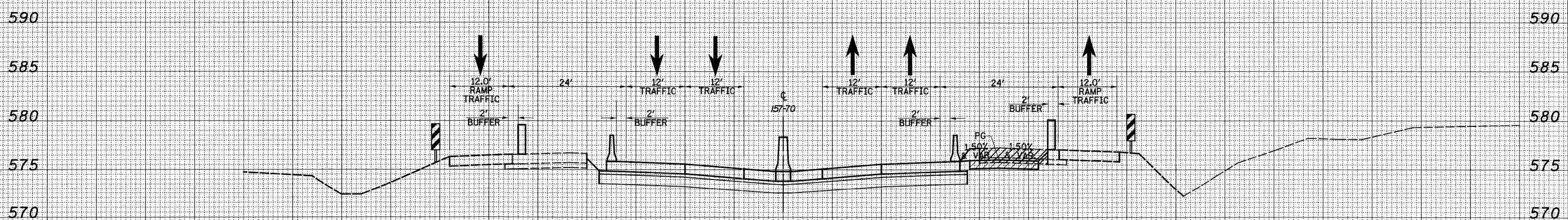
| | |
|---------------|--|
| DATE | |
| BY | |
| SURVEYED | |
| PLOTTED | |
| TEMPLATE | |
| NOTE BOOK | |
| AREAS CHECKED | |
| NO. | |



CUT=24 FILL=0

2152 + 00.00

| | |
|---------------|--|
| DATE | |
| BY | |
| SURVEYED | |
| PLOTTED | |
| TEMPLATE | |
| NOTE BOOK | |
| AREAS CHECKED | |
| NO. | |



CUT=14 FILL=3

2151 + 00.00

150 140 130 120 110 100 90 80 70 60 50 40 30 20 10 0 10 20 30 40 50 60 70 80 90 100 110 120 130 140 150

| | | | | | | | | | | | |
|-------------|----------------------|----------------|-----------|---|---|--------------------------|------------------------------------|----------------------|---------------------------|----------------------|------------------|
| FILE NAME = | USER NAME = #USER# | DESIGNED - JWS | REVISED - | STATE OF ILLINOIS DEPARTMENT OF TRANSPORTATION | MAINTENANCE OF TRAFFIC - 157/70 (PRE-STAGE 2A) | | F.A.I. RTE. 57/70 | SECTION (25-3,4)R | COUNTY EFFINGHAM | TOTAL SHEETS 1098 | SHEET NO. 903 |
| #BR | PLOT SCALE = #SCALE# | DRAWN - LEC | REVISED - | | SCALE: 1"=10' | SHEET NO. 8 OF 28 SHEETS | STA. 2151+00.00 TO STA. 2152+00.00 | FED. ROAD DIST. NO. | ILLINOIS FED. AID PROJECT | CONTRACT NO. 74299 | |
| | PLOT DATE = #DATE# | CHECKED - BRM | REVISED - | | | | | | | | |
| | | DATE - 4-01-08 | REVISED - | | | | | | | | |