






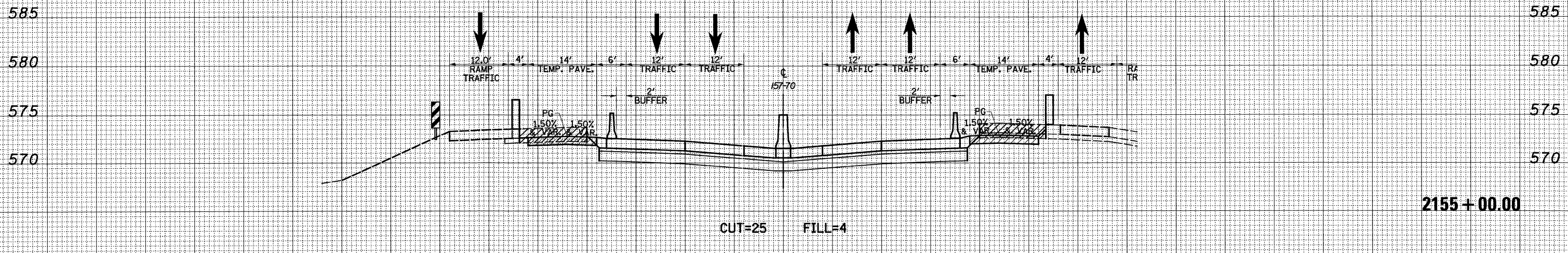
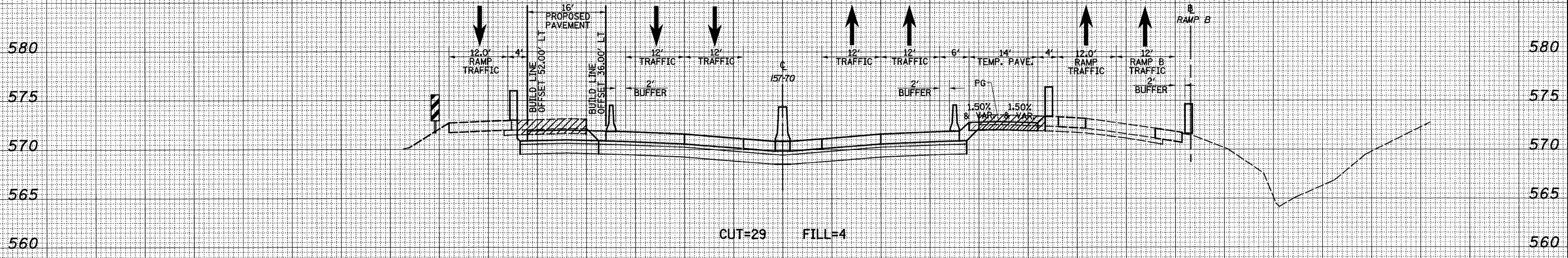
150 140 130 120 110 100 90 80 70 60 50 40 30 20 10 0 10 20 30 40 50 60 70 80 90 100 110 120 130 140 150

LEGEND

-  - TEMPORARY PCC PAVEMENT
-  - REMOVAL
-  - DRUM
-  - TEMPORARY CONCRETE BARRIER
-  - DIRECTION OF TRAFFIC

DATE _____
 BY _____
 SURVEYED _____
 PLOTTED _____
 TEMPLATE _____
 NOTE BOOK _____
 NO. _____
 AREAS CHECKED _____

DATE _____
 BY _____
 SURVEYED _____
 PLOTTED _____
 TEMPLATE _____
 NOTE BOOK _____
 NO. _____
 AREAS CHECKED _____



150 140 130 120 110 100 90 80 70 60 50 40 30 20 10 0 10 20 30 40 50 60 70 80 90 100 110 120 130 140 150

FILE NAME =	USER NAME = *USER*	DESIGNED - JWS	REVISED -	STATE OF ILLINOIS DEPARTMENT OF TRANSPORTATION	MAINTENANCE OF TRAFFIC - 157/70 (PRE-STAGE 2A)		F.A.I. RTE.	SECTION	COUNTY	TOTAL SHEETS	SHEET NO.	
#100	PLOT SCALE = *SCALE*	DRAWN - LEC	REVISED -		SCALE: 1"=10'	SHEET NO. 10 OF 28 SHEETS	STA. 2155+00.00 TO STA. 2156+00.00	57/70	(25-3,4)R	EFFINGHAM	1098	905
	PLOT DATE = *DATE*	CHECKED - BRM	REVISED -					CONTRACT NO. 74299				
		DATE - 4-01-08	REVISED -					FED. ROAD DIST. NO. ILLINOIS FED. AID PROJECT				